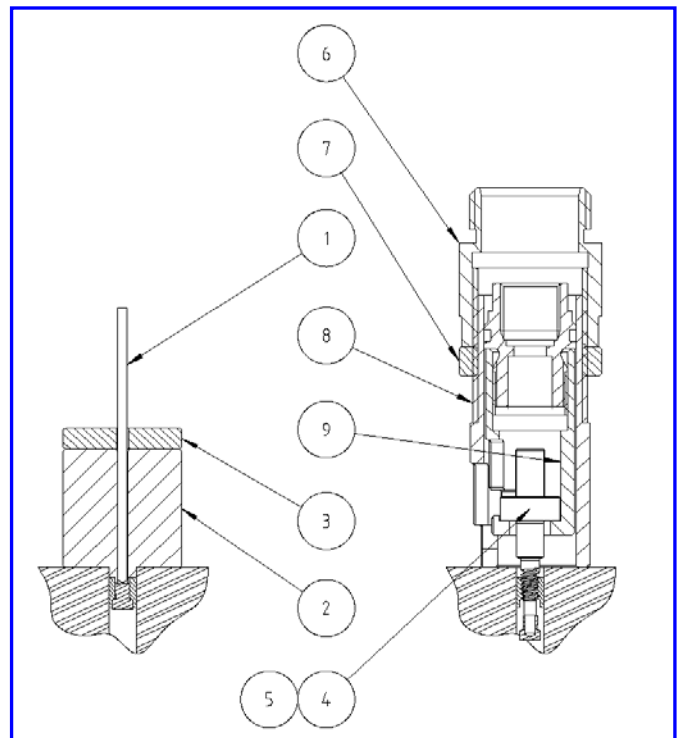


Avseal® II Removal System

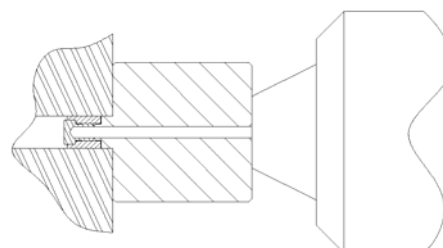
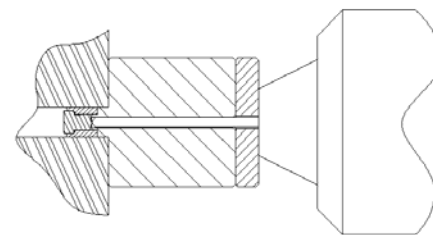
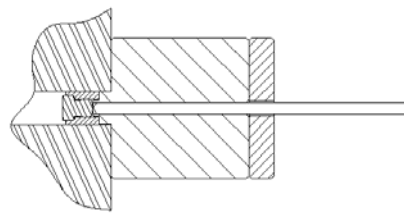
Notes:

- Removal of 2961 Series AvII sizes 4mm to 10mm & 2964 Series AvII sizes 9mm to 15mm requires a Genesis G2 Tool.
- Removal of 2964 Series AvII sizes 16mm to 20mm requires a Genesis G4 Tool.
- Item numbers refer to parts list on page 4.

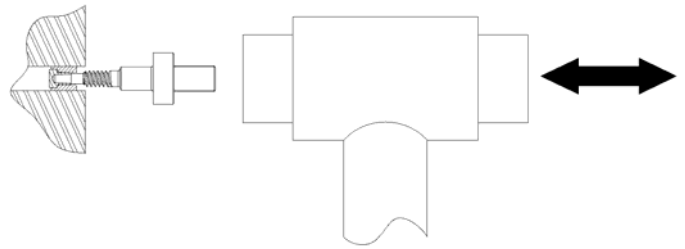


Avseal II Removal Procedure

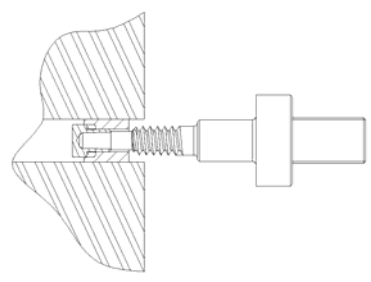
1. Place the drill guide (item 2) onto the application so that the spigot extends into the bore and locates securely within the centre of the Avseal sleeve.
2. Insert the drill bit (item 1) into the drill guide, locating the tip onto the centre of the Avseal stem. Place the spacer (item 3) over the drill bit until flush with the drill guide.
3. Insert the drill bit into the drill chuck, so that when secure the front end of the chuck is in contact with the spacer. When doing this, make sure that the drill bit remains in contact with the Avseal stem and the drill guide and spacer are also in contact.
4. Remove the spacer. Holding the drill guide securely in place, drill into the Avseal stem until the drill chuck comes into contact with the drill guide.
5. Remove the drill bit and drill guide and clear any swarf where necessary.



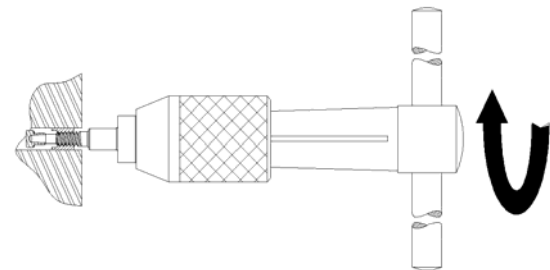
6. Using a mallet, insert the front end of the extraction tool (item 4 or 5) fully into the drilled bore of the Avseal stem.



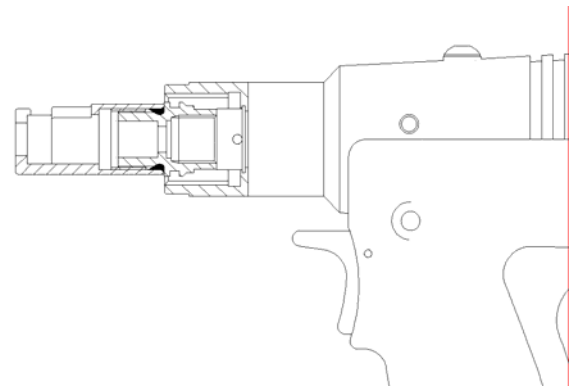
7. Using the extraction tool and mallet, knock the Avseal stem through the sleeve. The stem will be retained on the extraction tool.



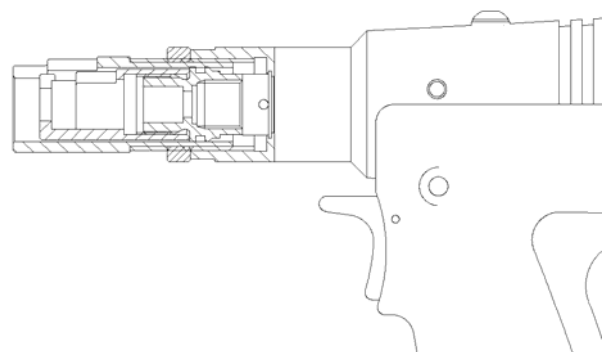
8. Using the T-Wrench insert the threaded portion of the extraction screw fully into the Avseal sleeve.



9. Attach the removal body (item 9) to the piston of the genesis tool.

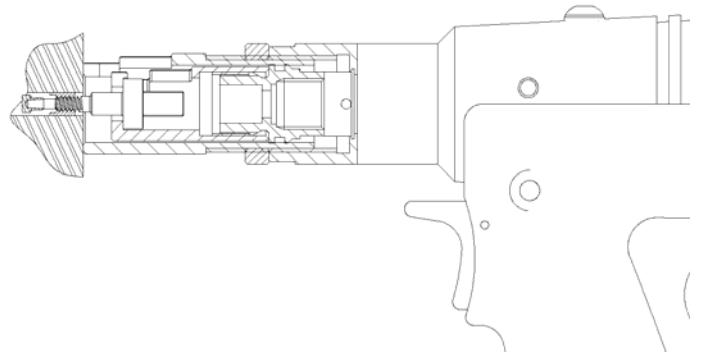


10. Attach the adapter (item 6), removal sleeve (item 8) and locking ring to the tool and adjust the sleeve so that the slot is in line with that on the removal body.

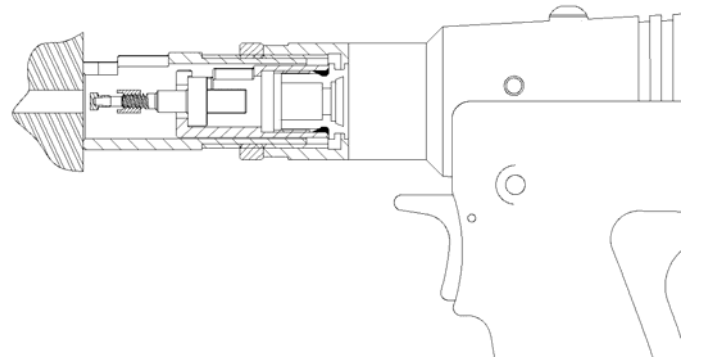


11. Connect the tool to the air supply.

12. Insert the rear end of the extraction screw through the side access slot and fully into the removal body. Following this, extend the removal sleeve until in contact with the application and then lock in place.



13. Fully depress the trigger, allowing the tool to complete a full stroke and then release.



14. The Avseal should be removed. If this is not the case repeat actions 13 & 14.
15. Disconnect the tool from the air supply.
16. Adjust the position of the removal sleeve until the extraction screw and Avseal can be removed from the tool.
17. Manually unscrew the Avseal sleeve and stem from the extraction screw.

Note: For 8mm LP (Automotive) use the tooling as specified for 8mm Standard i.e. 07994-10008.

2961 Series Standard Avseal II

		STANDARD AVSEAL II REMOVAL KIT COMPRISES THE FOLLOWING ITEMS										
COMPLETE KIT PART NUMBER	AVSEAL SIZE (STD.)	1	2		3	4	5	6	7	8	9	10
		DRILL BIT	DRILL GUIDE - FLUSH	DRILL GUIDE - RECESSED	SPACER	EXTRACTION TOOL - SMALL	EXTRACTION TOOL - LARGE	ADAPTER	LOCKING RING	REMOVAL SLEEVE	REMOVAL BODY	T-WRENCH
			07994-103	07994-104	07994-105	07994-106	-					
07994-10004	4.0	07007-02017	07994-10304	07994-10404	07994-10504	07994-10604	-	07994-10801	07994-10802	07994-10803	07994-10804	07994-00408
07994-10005	5.0	07007-02018	07994-10305	07994-10405	07994-10505	07994-10605	-	07994-10801	07994-10802	07994-10803	07994-10804	07994-00408
07994-10006	6.0	07007-02019	07994-10306	07994-10406	07994-10506	07994-10606	-	07994-10801	07994-10802	07994-10803	07994-10804	07994-00408
07994-10007	7.0	07007-02019	07994-10307	07994-10407	07994-10507	07994-10607	-	07994-10801	07994-10802	07994-10803	07994-10804	07994-00408
07994-10008	8.0	07007-02020	07994-10308	07994-10408	07994-10508	07994-10608	-	07994-10801	07994-10802	07994-10803	07994-10804	07994-00408
07994-10009	9.0	07007-02020	07994-10309	07994-10409	07994-10509	07994-10609	-	07994-10801	07994-10802	07994-10803	07994-10804	07994-00408
07994-10010	10.0	07007-02021	07994-10310	07994-10410	07994-10510	07994-10610	-	07994-10801	07994-10802	07994-10803	07994-10804	07994-00408

2964 Series Low Pressure (Automotive) Avseal II (Including - 8mm Low Pressure Avseal Part Number 02910-10790)

		LOW PRESSURE AVSEAL II REMOVAL KIT COMPRISES THE FOLLOWING ITEMS										
COMPLETE KIT PART NUMBER	AVSEAL SIZE [AUTO.]	1	2		3	4	5	6	7	8	9	10
		DRILL BIT	DRILL GUIDE - FLUSH	DRILL GUIDE - RECESSED	SPACER	EXTRACTION TOOL - SMALL	EXTRACTION TOOL - LARGE	ADAPTER	LOCKING RING	REMOVAL SLEEVE	REMOVAL BODY	T-WRENCH
			07994-103	07994-107	07994-105	07994-106	-					
07994-10059	9.0	07007-02020	07994-10308	07994-10709	07994-10508	07994-10608	-	07994-10801	07994-10802	07994-10803	07994-10804	07994-00408
07994-10060	10.0	07007-02020	07994-10309	07994-10710	07994-10509	07994-10609	-	07994-10801	07994-10802	07994-10803	07994-10804	07994-00408
07994-10061	11.0	07007-02021	07994-10310	07994-10711	07994-10510	07994-10610	-	07994-10801	07994-10802	07994-10803	07994-10804	07994-00408
07994-10062	12.0	07007-02021	07994-10310	07994-10712	07994-10510	07994-10610	-	07994-10801	07994-10802	07994-10803	07994-10804	07994-00408
07994-10063	13.0	07007-02021	07994-10313	07994-10713	07994-10513	07994-10613	-	07994-10801	07994-10802	07994-10803	07994-10804	07994-00408
07994-10064	14.0	07007-02022	07994-10314	07994-10714	07994-10514	07994-10614	-	07994-10801	07994-10802	07994-10803	07994-10804	07994-00408
	15.0											
07994-10066	16.0	07007-02023	07994-10316	07994-10716	07994-10515	07994-10616	-	07994-10801	07994-10802	07994-10903	07994-10804	07994-00408
	17.0											
07994-10068	18.0	07007-02048	07994-10318	07994-10718	07994-10518	07994-10618	-	07994-10801	07994-10802	07994-10903	07994-10804	07994-00408
	19.0											
07994-10070	20.0	07007-02050	07994-10320	07994-10720	07994-10520	07994-10620	-	07994-10801	07994-10802	07994-10903	07994-10804	07994-00408

Note: For 8mm LP (Automotive) use the tooling as specified for 8mm Standard i.e. 07994-10008.

