

Suspension Kit with Remote Stem Collection for Genesis® Tools

Genesis® Suspension Kit Option

The Suspension Kit is available to supplement the Genesis® tool range.

Where the usage would benefit from the tools being suspended for vertical down operation and remote stem collection, the following Suspension Kit options are available:

- For nG2, G2 Kit No. **71213-99910**.
- For nG3, G3, nG4, & G4 Kit No. **71223-99910**.

Tool Preparation

THE TOOL AIR SUPPLY MUST BE DISCONNECTED BEFORE ANY DISMANTLING IS ATTEMPTED

To prepare tools for fitting the Suspension kit:

Genesis® nG tools fitted with a quick release stem Collector Bottles must be fitted with the following replacement parts:-

- End Cap Assembly 71403-02120 (71231-02001 for nG4).
- Bottle Adaptor Assembly 71403-02110.
- Seal 71210-02029.
- Tools fitted with 'Fixed' Stem Collector Bottles need only the Bottle Assembly 71210-20400 to be removed.

The following Trigger components must also be removed:

- 71210-02024 Trigger Pin.
- 71213-02008 Trigger.
- 07005-00088 Trigger Valve.

Note: For Genesis® nG Tools; before removing trigger components 'lift' trigger to effect the air cut-off to the vacuum system.

Additional part to be removed:

- 'T' Adaptor 71210-02024 - nG2.
- Jaw Spreader Housing 71210-02101 – nG3/nG4.

Assembly Procedure

Item numbers in **BOLD** refer to parts list below.

- Assemble bracket assembly items **1**, **5** and **7 (24)** using screws **4**.
- Remove on/off valve assembly 71210-03700 and Plug 07005-01274. Reassemble clamping Bracket **7 (24)** in position.
- Clamp Head Attachment Plate **1** onto rear of tool using Tube Adaptor **3 (23)**.
- Screw Elbow Connector **15** into trigger port in tool handle using Loctite® 574 and lightly tighten.
- Fit Elbow Connector **15** into Handle Assembly **18**.
- Assemble Inner Extension **16** onto tool head piston.
- Assemble Bearing Spacer **19** and Handle Assembly **18** onto Outer Extension **17** and screw into tool head casting.

Note: Handle will be free to rotate. This can be clamped if required utilising clamp screw in Handle Assembly **18**.

- Screw Locknut **20** onto Inner Extension **16**.
- Refit nG2 'T' Adaptor 71213-02020 (Jaw Spreader Housing 71210-02101 for nG3/4) onto Inner Extension **16** and tighten against Locknut **20**.
- Fit nose equipment for appropriate fastener to the Inner and Outer Extensions **16** and **17**.
- Fit 4mm Tubing **14** into Elbow Connectors **15**.
- Fit Male Connector **11** into Regulator and Gauge **10** and assemble to Vacuum Injector Assembly **13**.
- Fit push-in Fittings **2 (22)** into Tube Adaptor **3 (23)** and Vacuum Injector Assembly **13**.
- Fit Tubing **9 (25)** into push-in Fittings **2 (22)**.
- Attach Suspension Ring **6** onto Suspension Arm **5**. Position ring so as to achieve the required tool operating attitude.
- Suspend Spring Balance **8** from suitable elevated position and attach to Suspension Ring **6**. Adjust balancer to suit.

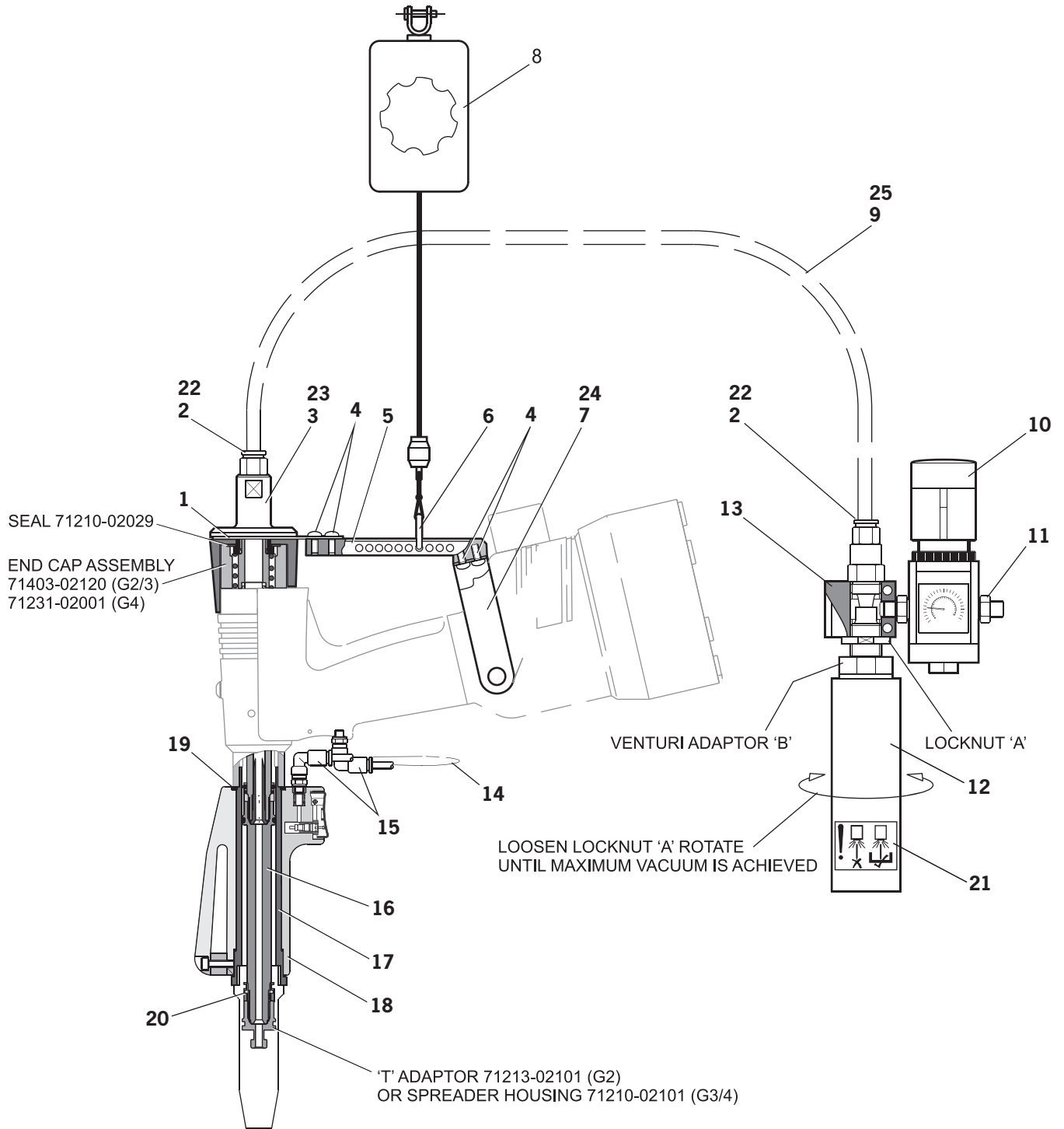
Vacuum Adjustment

- Assemble Silencer **12** to Vacuum Injector Assembly **13**.
- Connect separate air supply to Regulator and Gauge **10** via Male Connector **11** and adjust pressure to approximately 3.5 bar.
- Loosen Locknut 'A' and rotate Venturi Adaptor 'B' (together with Silencer **12**) until maximum vacuum is achieved at nose tip. Fine tune as necessary.
- Tighten Locknut 'A'.

Parts List

ITEM	PART No	DESCRIPTION	QTY
1	71213-99914	HEAD ATTACHMENT PLATE	1
2	07005-10115	1/4 BSP-10mm FITTING (FIESTO)	2
3	71213-99911	TUBE ADAPTOR - nG2	1
4	07001-00677	M4 x 6 BUTTON HEAD SCREW	4
5	71213-99912	SUSPENSION ARM	1
6	07265-03021	SUSPENSION RING	1
7	71213-99913	G2 BRACKET	1
8	07007-02036	SPRING BALANCE	1
9	07005-10114	SMC COAXIAL TUBE	2.5M
10	07005-10111	REGULATOR & GAUGE (FESTO)	1
11	07005-00567	1/4 NPT - 1/8 NPT MALE CONNECTOR	1
12	07005-10075	SILENCER (PIAB)	1
13	71213-99925	VACUUM INJECTOR ASSEMBLY	1
14	07005-01700	4mm TUBING	10CM
15	07005-10108	ELBOW CONNECTOR (FESTO)	2
16	71213-99921	INNER EXTENSION	1
17	71213-99922	OUTER EXTENSION	1
18	71213-99920	HANDLE ASSEMBLY	1
19	71213-99923	BEARING SPACER	1
20	71210-02103	LOCKNUT	1
21	71213-99928	CAUTION LABEL	1
PARTS SUBSTITUTED IN nG3/4 KIT			
22	07005-10110	1/4 BSP - 8mm FITTING (FESTO) - nG3/4	2
23	71223-99911	TUBE ADAPTOR - nG3/4	1
24	71223-99913	G3/4 BRACKET - nG3/4	1
25	07005-01514	8mm SEMI RIGID NYLON TUBE - nG3/4	2.5M

General Assembly





An Acument™ Global Technologies Company

Notes

© 2008 Acument Intellectual Properties, LLC Printed June 08.

Avdel UK Limited

Watchmead Industrial Estate, Welwyn Garden City, Herts, AL7 1LY United Kingdom

Tel: +44 1707 292000 Facsimile: +44 1707 292199

www.avdel-global.com

Data Sheet No.	Issue	Change Note No.
07900-00906	A	08/014

Avdel® and Genesis® are trademarks of Avdel UK Limited.