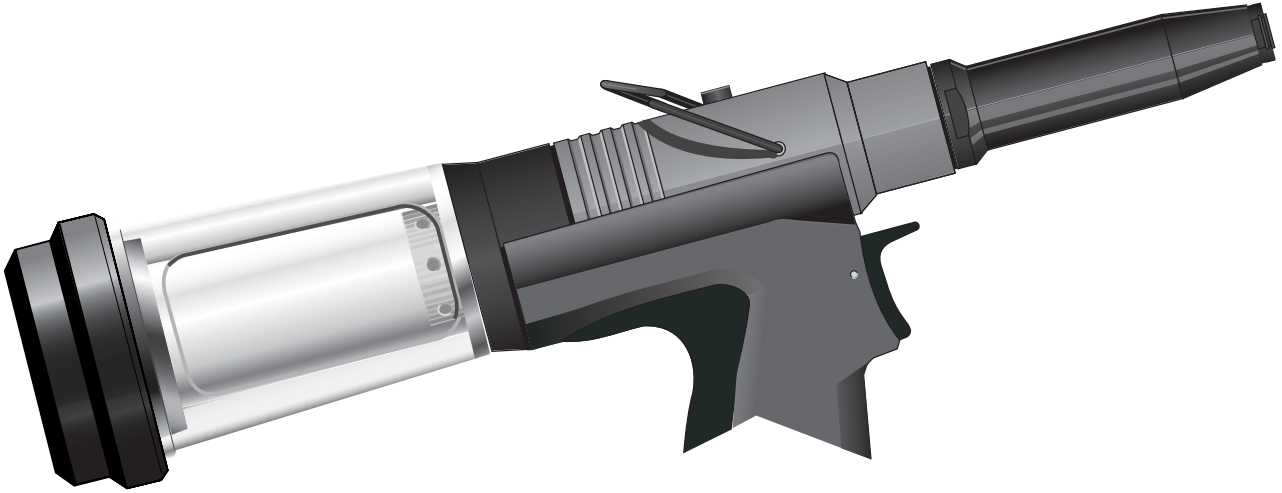




An Acument™ Global Technologies Company

# Instruction Manual Supplement for Genesis® nG Tool Range - Fixed Stem Collector Bottle Option



## Intent of Use

---

The nG Genesis® tool must either be fitted with the Fixed Stem Collector Bottle as detailed herein, or the Removeable Stem Collector as described within the nG Genesis® tool manuals.

## Safety Instructions

---

For the full Safety Instructions refer to the associated nG Genesis® tool manuals.

## Certificate of Conformity

---

Refer to the nG Genesis® Instruction Manual.

## Fixed Stem Collector Options

---

The following Fixed Stem Collector Bottle tool options are available:-

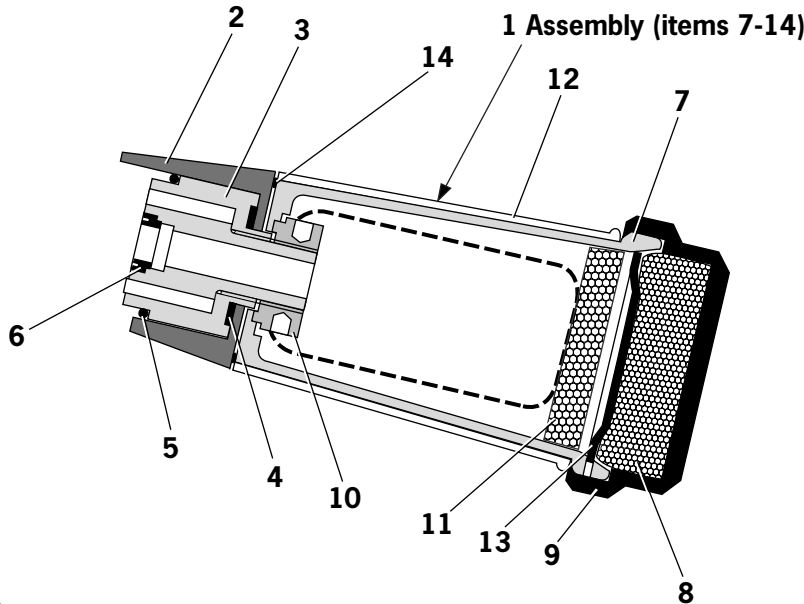
- 71204-02000 Genesis® nG1
- 71214-02000 Genesis® nG2
- 71224-02000 Genesis® nG3
- 71234-02000 Genesis® nG4
- 71404-01000 Genesis® nG2s
- 71204-00039 Fully equipped Genesis® nG1 tool - 2 Nose tips (71210-05002 & 71210-16070)
- 71214-00039 Fully equipped Genesis® nG2 tool - 3 Nose tips (71210-05002, 71210-16070 & 07381-04701)
- 71224-00201 Fully equipped Genesis® nG3 tool - 1/4 Monobolt equipment
- 71234-00261 Fully equipped Genesis® nG4 tool - 1/4 Hemlok equipment
- 71404-00039 Fully equipped Genesis® nG2s tool - 3 Nose tips (71210-05002, 71210-16070 & 07381-04701)

For Nose Equipment details refer to the associated nG Genesis® tool manual.

## Part Numbering

Complete tool numbers (Base Tool + Nose Assembly + Nose Tip) are compiled utilising the appropriate 5 digit prefix number to designate the tool type e.g. 71204 for nG1, 71214 for nG2 etc. The 5 suffix numbers are as stated in the tool manual tables for Nose Tips, Off/Set and Right/Angle heads etc.

## General Assembly



## Parts List

Fixed Stem Collector Bottle Parts List							
ITEM	PART NUMBER	DESCRIPTION	QTY	ITEM	PART NUMBER	DESCRIPTION	QTY
<b>1</b>	71210-20400	BOTTLE ASSEMBLY (items 7-14)	1	<b>7</b>	71210-02051	STEM CATCHER BODY (ref)	1
<b>2</b>	71403-02110	BOTTLE ADAPTOR ASSEMBLY	1	<b>8</b>	71210-02035	SILENCER (ref)	1
<b>3</b>	71403-02120	END CAP ASSEMBLY	1	<b>9</b>	71210-02034	SILENCER CAP (ref)	1
<b>3*</b>	71231-02001	END CAP ASSEMBLY nG4	1	<b>10</b>	71210-02028	RETAINING NUT (ref)	1
<b>4</b>	71210-02029	SEAL	1	<b>11</b>	07640-00244	SILENCER (ref)	1
<b>5</b>	07003-00278	'O' RING	1	<b>12</b>	07640-00239	STEM CATCHER OUTER (ref)	1
<b>6</b>	07003-00274	LIP SEAL	1	<b>13</b>	07340-00335	STEM CATCHER END CAP (ref)	1
<b>6*</b>	07003-00374	LIP SEAL nG4	1	<b>14</b>	07003-00311	'O' RING (ref)	1

**\*Parts substituted in nG4 tool**

## Maintenance/Dismantling Instructions

**THE AIR LINE MUST BE DISCONNECTED BEFORE ANY DISMANTLING IS ATTEMPTED.**

1. Rotate the Stem Collector Outer **12** so that the aperture in the Stem Catcher Body **7** is fully exposed.
2. Unscrew the Retaining Nut **10**.
3. Remove the Bottle Assembly **1** and Seal **4**.
4. Remove the Bottle Adaptor Assembly **2**.
5. Unscrew and remove the End Cap Assembly **3** together with Lip Seal **6** and 'O' Ring **14**.
  - Re-assemble in reverse order.
  - **For Safety and other Servicing and Maintenance instructions, refer to the relevant nG Genesis tool manual.**

Item numbers in **bold** refer to the parts list above.

Data Sheet No.	Issue	Change Note No.
07900-00883	A	07/280

### Avdel UK Limited.

Pacific House, 2 Swiftfields, Watchmead Industrial Estate,

Welwyn Garden City, Herts, AL7 1LY United Kingdom

Tel: +44 1707 292000

Facsimile: +44 1707 292199

[www.avdel-global.com](http://www.avdel-global.com)

Avdel®, Genesis® are trademarks of Avdel UK Limited.

[www.avdel-global.com](http://www.avdel-global.com)