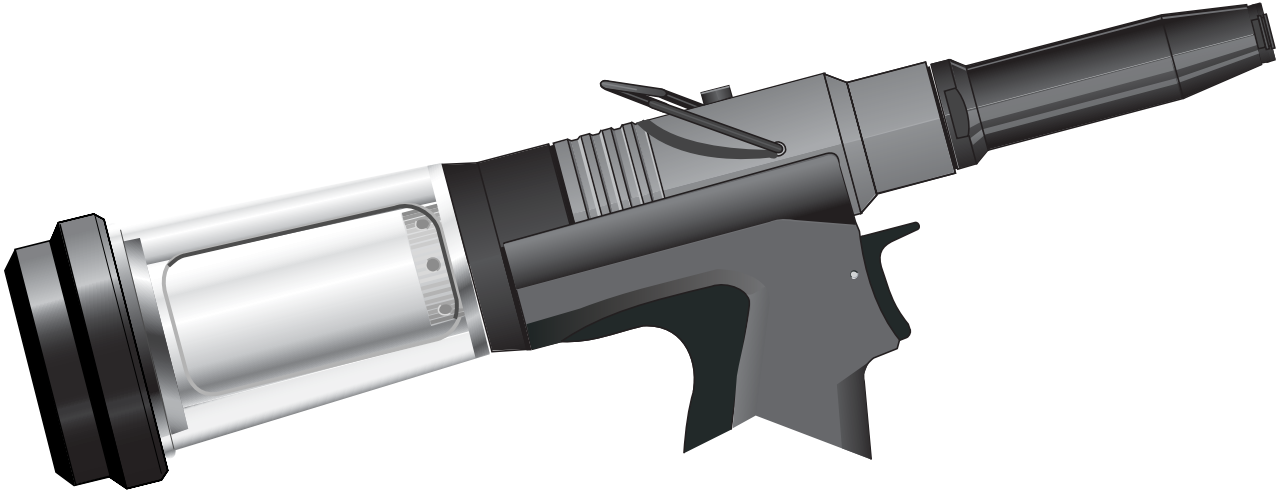




An Acument™ Global Technologies Company

Fixed Stem Collector Bottle Fitting Instructions For Genesis® Tools (nG Range)



Genesis® nG Fixed Stem Collector Bottle Option

The Fixed Stem Collector Bottle is available to supplement the Genesis® nG tool range (nG1 to nG4). Where the usage would benefit from a 'fixed' collector bottle rather than the supplied 'quick release' collector bottle the following fixed bottle options are available in kits:

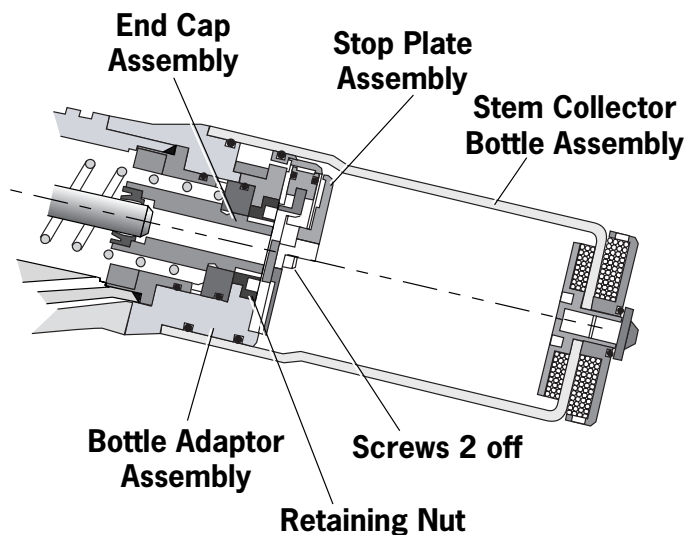
- For **nG1, nG2, nG2S** and **nG3** Kit No. **71213-99901**
- For **nG4** Kit No. **71233-99901**

Fitting Instructions

THE AIR LINE MUST BE DISCONNECTED BEFORE ANY DISMANTLING IS ATTEMPTED.

Items shown in the illustration below must be removed to prepare the tool for fitting the Fixed Stem Collector Bottle.

- A partial rotation and pull movement removes the Stem Collector Bottle Assembly.
- Unscrew the two Screws to remove the Stop Plate Assembly.
- Unscrew the Retaining Nut and pull off the Bottle Adaptor Assembly.
- Unscrew and remove the End Cap Assembly.



For more detail of removal please refer to the Instruction Manual supplied with the Genesis® tool.

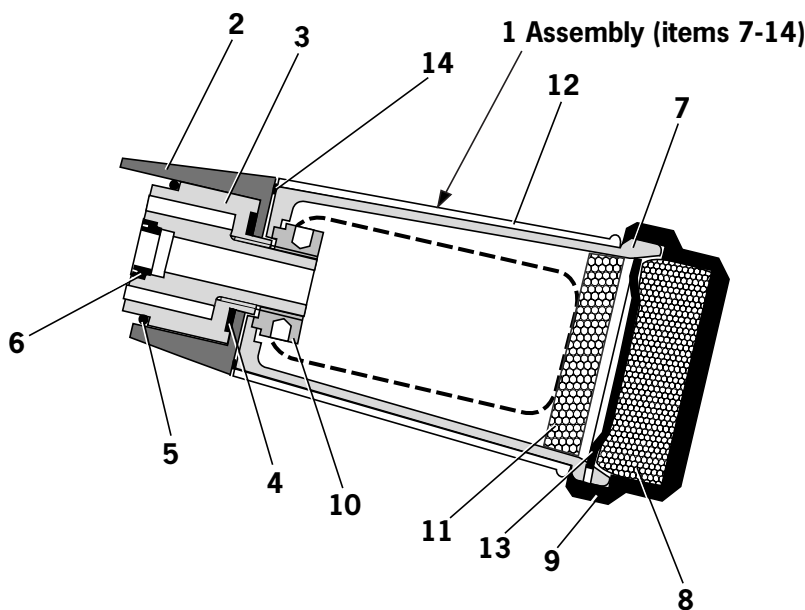
Fixed Stem Collector Bottle

To fit the 'fixed' Stem Collector Bottle:

- Assemble 'O' Ring **5** and Lip Seal **6** into the End Cap Assembly **3**.
- Screw the assembled End Cap Assembly **5,6** and **3** into the Tool Head Assembly.
- Fit the Seal **4** into the recess in End Cap Assembly **3**.
- Fit the Bottle Adaptor Assembly **2**.
- Fit the Bottle Assembly **1** (items **7** to **14**) over the locating pins in Bottle Adaptor Assembly **2**.
- Rotate the Stem Catcher Outer **12** so that the aperture in the Stem Catcher **7** is fully exposed.
- Screw on the Retaining Nut **10** and tighten using a tommy bar.
- For all other servicing and maintenance instructions refer to the relevant Genesis® nG tool manual.

Item numbers in **bold** refer to the Fixed Stem Collector Bottle General Assembly and Parts List (see below).

General Assembly



Parts List

Fixed Stem Collector Bottle Kit							
nG1, nG2, nG2S & nG3 Kit N° 71213-99901 / nG4 Kit N° 71233-99901							
ITEM	PART NUMBER	DESCRIPTION	QTY	ITEM	PART NUMBER	DESCRIPTION	QTY
1	71210-20400	BOTTLE ASSEMBLY (items 7-14)	1	7	71210-02051	STEM CATCHER BODY (ref)	1
2	71403-02110	BOTTLE ADAPTOR ASSEMBLY	1	8	71210-02035	SILENCER (ref)	1
3	71403-02120	END CAP ASSEMBLY	1	9	71210-02034	SILENCER CAP (ref)	1
3*	71231-02001	END CAP ASSEMBLY nG4	1	10	71210-02028	RETAINING NUT (ref)	1
4	71210-02029	SEAL	1	11	07640-00244	SILENCER (ref)	1
5	07003-00278	'O' RING	1	12	07640-00239	STEM CATCHER OUTER (ref)	1
6	07003-00274	LIP SEAL	1	13	07340-00335	STEM CATCHER END CAP (ref)	1
6*	07003-00374	LIP SEAL nG4	1	14	07003-00311	'O' RING (ref)	1

***Parts substituted in nG4 Kit (71233-99901)**

Data Sheet No.	Issue	Change Note No.
07900-00880	A	06/441
	B	07/044
	B2	07/103

Avdel UK Limited.

Pacific House, 2 Swiftfields, Watchmead Industrial Estate,

Welwyn Garden City, Herts, AL7 1LY United Kingdom

Tel: +44 1707 292000

Facsimile: +44 1707 292199

www.avdel.global.com

Avdel® is a trademark of Avdel UK Limited.

www.avdel-global.com