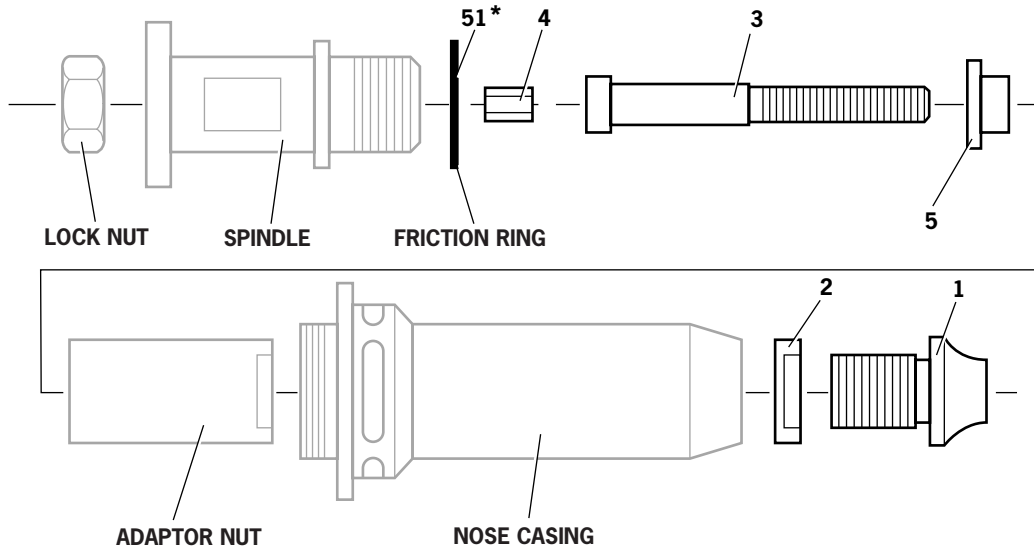


Versa-Nut® Nose Equipment Datasheet

74405 Tool



Items in grey are included in the base tool. The item numbers refer to the table in the 'Selecting a Nose Assembly' table below.

Item **51*** is included in the base tool and the selected Nose Assembly.

Selecting a Nose Assembly

SELECTING A NOSE ASSEMBLY					
INSERT SIZE	NOSE ASSEMBLY	ITEM 1 & 2	ITEM 3	ITEM 4	ITEM 5
		Nose Tip	Drive Screw	Drive Shaft	Reducing Sleeve
M4	07555-10184	07555-00904	07555-10004	07555-01004	07555-09104
M5	07555-10185	07555-00915	07555-10005	07555-01005	07555-09105
M6	07555-10186	07555-00906	07555-10006	07555-01006	07555-09106
M8	07555-10188	07555-00908	07555-10008	07555-01008	07555-09108
M10	07555-10180	07555-00910	07555-10010	07555-01010	-

Fitting Instructions

I M P O R T A N T

The Nose Assembly must be fitted before operating the tool.

It is essential that the correct nose assembly is fitted prior to operating the tool. By knowing your original complete tool part number or the details of the fastener to be placed, you will be able to order a new complete nose assembly using the 'Selecting a Nose Assembly' table on page 1 of this datasheet.

I M P O R T A N T

The air supply must be disconnected when fitting or removing nose assemblies unless specifically instructed otherwise.

- If still fitted remove the nose casing and adaptor nut.
- Insert Drive Shaft **4** into spindle.
- Fit Drive Screw **3** onto Drive Shaft **4**.
- Insert Reducing Sleeve **5** (if required) into the adaptor nut.
- Position Friction Ring **51*** onto the spindle.
- Screw the adaptor nut onto the spindle.
- Hold the spindle with a spanner*, tighten the lock nut anti-clockwise, ensuring the friction ring is not caught between the faces of the spindle and the adapter nut.
- Screw on the nose casing together with Nose Tip **1** and nose tip Lock Nut **2**.
- The reverse operation is carried out for equipment removal.
- With tool still disconnected from air supply, screw one insert onto the drive screw manually making sure the insert is flush with the end of the drive screw.
- Set nose tip in exact position and lock nose tip nut clockwise with a spanner*.
- Remove the insert from the drive screw.

(Item numbers in **bold** refer to the illustration on page 1 of this datasheet)

* Item included in the 74405 Service Kit, part number 74405-99990

Servicing Instructions

- Remove the nose equipment using the reverse procedure to the 'Fitting Instructions' (see above).
- Any worn or damaged part should be replaced.
- Particularly check wear on Drive Screw **3** and Drive Shaft **4**.
- Assemble according to fitting instructions.

(Item numbers in **bold** refer to illustration on page 1 of this datasheet)

Data Sheet No.	Issue	Change Note No.
07900-00857	A	05/531
	B	07/044
	B2	07/103

Avdel UK Limited.

Pacific House, 2 Swiftfields, Watchmead Industrial Estate,

Welwyn Garden City, Herts, AL7 1LY United Kingdom

Tel: +44 1707 292000

Facsimile: +44 1707 292199

Avdel®, Versa-Nut® are trademarks of Avdel UK Limited.