



An Acument™ Global Technologies Company

Genesis® G4, nG4, G2LB, Avdelok®/Maxlok® Collar Cropper Instructions for Collar Cropper Attachment



Safety Rules

This technical datasheet must be read with particular attention to the safety rules listed in the appropriate Genesis® G4, nG4 or G2LB Instruction Manual and to the following safety rules, by any person fitting or operating the collar cropper on the Genesis® G4, nG4 or G2LB tools.

- 1 Do not use collar cropper outside the design intent printed below.
- 2 Do not use equipment or tools with this collar cropper other than that recommended and supplied by Avdel UK Limited.
- 3 The tool and collar cropper must be maintained in a safe working condition at all times. The operator must follow the daily and weekly service checks detailed in the Genesis® G4, nG4 or G2LB Instruction Manual.
- 4 The tool and collar cropper shall at all times be operated in accordance with the relevant health and safety legislation. Any question regarding the correct operation of the tool and operator safety should be directed to your local Avdel company or authorized representative.
- 5 Do not operate a tool that is pointed towards any person(s).
- 6 Do not operate the tool if it is not fitted with a complete collar cropper assembly.
- 7 **FINGERS AND ALL BODY PARTS MUST REMAIN CLEAR OF THE COLLAR CROPPER WHEN OPERATING THE TOOL.**
- 8 When using the tool and collar cropper, the wearing of safety glasses is required both by the operator and others in the vicinity to protect against ejection of debris. We recommend wearing gloves if there are sharp edges or corners on the application.
- 9 Take care to avoid entanglement of loose clothes, ties, long hair, cleaning rags etc., in the moving parts of the tool and collar cropper.
- 10 When carrying the tool from place to place keep hands away from the trigger to avoid inadvertent start up.
- 11 **THE AIR SUPPLY MUST BE DISCONNECTED WHEN FITTING OR REMOVING ANY NOSE ASSEMBLY.**

Intent of Use

The collar cropper attachment in combination with the Genesis® G4, nG4 or G2LB tool is designed for cutting and removing Avdelok® and Maxlok® collars from fasteners from 4.8mm (3/16") to 6.4mm (1/4"). The correct collar cropper kit must be selected for each fastener size and type as shown in the table on this page.

IMPORTANT

The tool and collar cropper must be used in accordance with the safety rules and fitting instructions contained within this datasheet. The cropping of other fastener sizes or materials not included in the table on this page could have a detrimental impact on the working life of the tool and collar cropper and could invalidate the warranty.

Refer to the assembly drawing in the appropriate tool manual - G4, nG4 or G2LB.

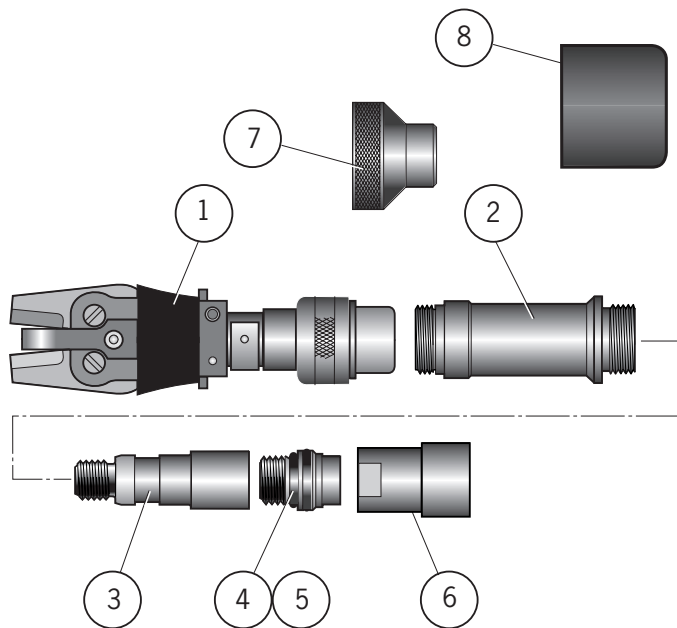
Item numbers in **bold** refer to the parts listed in the table below.

To prepare base tools to accept Collar Cropper equipment

- 1 Unscrew Jaw Spreader Housing 71210-02101, (Chuck Collet Adaptor 07610-00501 for G2LB). Remove Locknut 71210-02105 and Seal Housing 71210-02104. Remove Vacuum Sleeve 71230-02102 (applies to G4 and nG4 only).
- 2 Screw Stop Nut **6** fully onto the Piston by hand. Refit Jaw Spreader Housing 71210-02101, (**4** and **5**) supplied in kit for G2LB), screw fully onto the Piston before tightening Stop Nut **6** against it.
- 3 Remove the Stem Collector Bottle Assembly and replace with Safety Cap **7**. For nG4 tools fitted with Quick Release Collector Bottles remove and fit Safety Cap **8**.

Fitting the Collar Cropper Assembly

- 1 Screw Collet Adaptor **3** onto Jaw Spreader Housing **4** and **5** and tighten.
- 2 Screw Anvil Adaptor **2** over the Collet Adaptor **3** into the front of the tool and tighten.
- 3 Attach Cropper Assembly **1*** by screwing the Cam Rod of the Assembly onto the Collet Adaptor **3**.
- 4 Complete attachment by screwing the Nose Retaining Nut of the Collar Cropper **1*** assembly onto the Anvil Adaptor **2**.



Collar Cropper Kits

ITEM	71230-20100	3/16 COLLAR CROPPER KIT - AVDELOK® / MAXLOK®
	71230-20110	1/4 COLLAR CROPPER KIT - AVDELOK®
	71230-20120	1/4 COLLAR CROPPER KIT - MAXLOK®
Kits include:		
1*	07500-06800	Collar Cropper Assembly 3/16 Avdelok®/Maxlok®
1*	07500-06900	Collar Cropper Assembly 1/4 Avdelok®
1*	07500-05900	Collar Cropper Assembly 1/4 Maxlok®
2	07498-05001	Anvil Adaptor
3	07498-05002	Collet Adaptor
4	71210-02101	Jaw Spreader Housing
5	07003-00277	'O' Ring
6	71233-20300	Stop Nut Assembly - Collar Cropper
7	71210-20201	Safety Cap
8	71213-20201	Safety Cap - Quick Release Bottle
9	07900-00828	Collar Cropper Data Sheet

* Kit includes the specified Collar Cropper Assembly

Manual No.	Issue	Change Note No.
07900-00828	AA	02/236
	B	07/044
	B2	07/103
	B3	07/375

Avdel UK Limited

Watchmead Industrial Estate, Welwyn Garden City, Herts, AL7 1LY United Kingdom

Tel: +44 1707 292000

Facsimile: +44 1707 292199

www.avdel-global.com