

74200 Threaded Insert Power Tool Nose Assembly Fitting Instructions

IMPORTANT

The air supply must be disconnected when fitting or removing nose assemblies unless specifically instructed otherwise.

Fitting Instructions

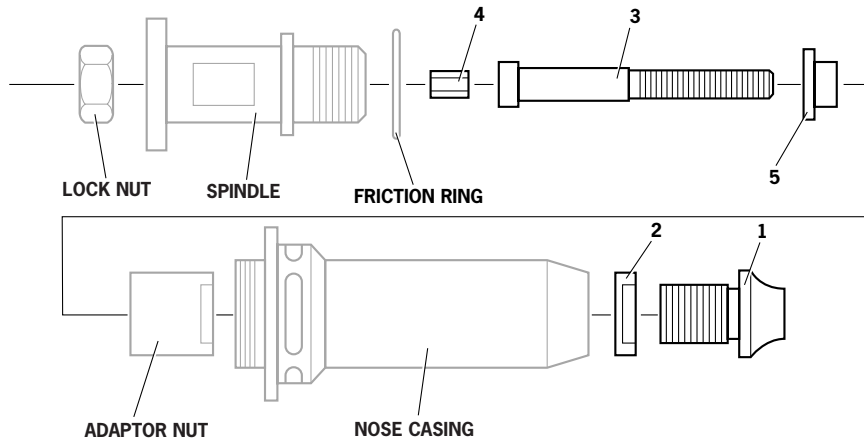
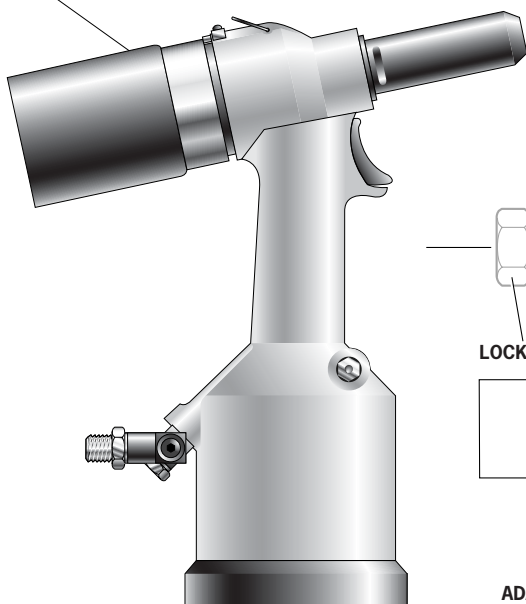
Note: Items in *grey* are included in the Base Tool, part numbers can be found in the 74200 Instruction Manual section General Assembly of Base Tool - Parts List. Items in **black** make up the Nose Assembly, these parts will vary depending on Insert type and size. Refer to section Nose Assemblies of the 74200 Instruction Manual.

Prior to fitting ensure that Tool is set at zero stroke by turning Rear Casing clockwise till stop occurs.

Item numbers in **bold** refer to illustration below:

- Remove the Nose Casing and Adaptor Nut from Base Tool.
- Insert Drive Shaft **4** into Spindle.
- Fit Drive Screw **3** onto Drive Shaft **4**.
- Insert Reducing Sleeve **5** (where supplied) into the Adaptor Nut, screw Adaptor Nut onto Spindle. Hold Spindle with a suitable spanner and tighten the Lock Nut anti-clockwise.
- Screw Nose Casing onto Tool, screw Nose Tip **1** with Nose Tip Lock Nut **2** onto Nose Casing.
- Screw 1 off Insert onto Drive Screw, till front face of Insert is flush with end of Drive Screw.
- Adjust Nose Tip till front face of Nose Tip contacts rear of Insert. Holding Nose Tip in position, screw Nose Tip Lock Nut onto front face of Nose Casing, tighten using suitable spanner.
- Adjust Tool stroke as shown in 74200 Instruction Manual section Stroke Adjustment.

Rear Casing



© Avdel UK Limited 2007

Servicing Instructions

Nose assemblies should be serviced at weekly intervals.

- Remove the complete Nose Assembly using the reverse procedure to the 'Fitting Instructions'.
- Replace any worn or damaged part.
- Particularly check for wear to Drive Screw.
- Assemble according to fitting instructions.

Avdel UK Limited

Watchmead Industrial Estate, Welwyn Garden City, Herts, AL7 1LY United Kingdom

Tel: +44 1707 292000

Facsimile: +44 1707 292199

www.avdel-global.com

Manual No.	Issue	Change Note No.
07900-00813	A	07/044
	A2	07/103