

# Genesis® Right Angle and Straight Swivel Head Fitting Instructions

## To Prepare Base Tools to Accept Swivel Head Equipment

Refer to the assembly illustration in the appropriate tool manual - nG1, nG2, nG2s, nG3, G2, G2s or G3.

Item numbers in **bold** refer to the parts list and illustration below.

1. Unscrew 'T' Adaptor 71213-02020 (Jaw Spreader Housing **23** for G2, G2s, G3 and nG3).  
Remove Locknut 71210-02105 and Seal Housing 71210-02104.
2. Screw Stop Nut Assembly **24** fully onto the piston by hand (supplied in the Swivel Head Kit).  
Fit Jaw Spreader Housing **23** (supplied in the Swivel Head Kit for nG1, nG2 and nG2s) screw fully onto the piston before tightening Stop Nut Assembly **24** against it.
3. Remove the Stem Collector Bottle Assembly and replace it with Safety Cap **25\***.  
For Genesis® nG tools fitted with the Quick Release Collector Bottle, fit Safety Cap Q/R **26\***.
4. When Swivel Head equipment is fitted to the Genesis® nG2 or nG3 tool, the 'Tool Cycle Counter' will not operate. To reactivate the 'Tool Cycle Counter' it is necessary to replace the two Sealing Washers 71221-02006 as follows:  
For nG2 fit replacement Spacers 71213-02032 (2 off).  
For nG3 fit replacement Spacers 71223-02032 (2 off).  
Refer to the tool manual 'Pneumatic Piston Assembly' for the dismantling instructions.

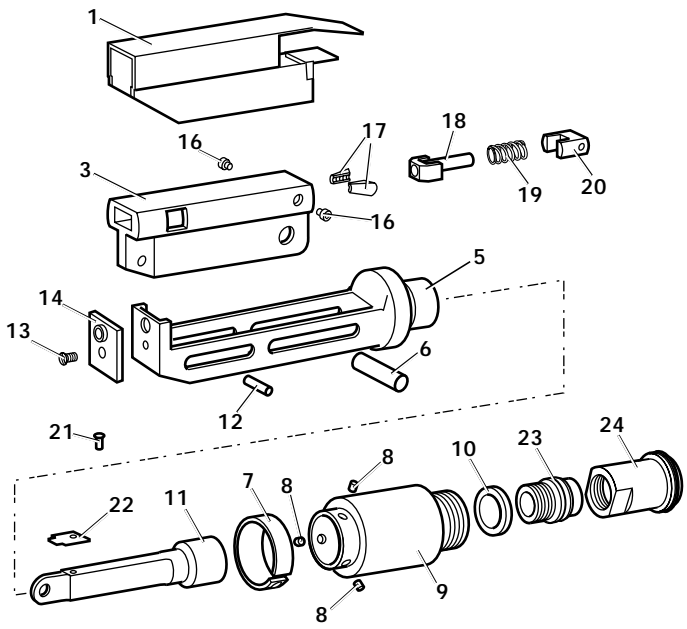
**Note:** The tool will need to be reprimed if replacements for Sealing Washers are fitted, for repriming refer to the tool manual.

## Fitting the Straight Swivel Head Assembly

- Remove Guard **1**, Screw **21** and Platform **22**.
- Remove Pivot Pin **6** and Spindle **11**.
- Fit Locking Ring **10** over the Jaw Spreader Housing **23**.
- Screw Spindle **11** onto the Jaw Spreader Housing **23**, leaving the small screw fixing hole uppermost. Tighten gently with a tommy bar.
- Screw the assembly over Spindle **11** onto the front of the tool head casting. Replace Pivot Pin **6**.
- Attach Platform **22** onto the top of Spindle **11** with Screw **21**.
- Snap Guard **1** over the assembly.

PARTS LIST - STRAIGHT SWIVEL HEAD		
ITEM	DESCRIPTION	STRAIGHT SWIVEL
1	Guard	07494-05000
3	Jaw Carrier	07494-03026
5	Body	07494-03015
6	Pivot Pin	07343-02207
7	Spring Clip	07495-03900
8	Roller	07007-00039
9	Adaptor	07345-03001
10	Locking Ring	07345-03003
11	Spindle	07345-03002
12	Dowel Pin	07007-00038
13	Screw	07342-02207
14	Nose Tip	See Manual
16	Screw	07494-03028
17	Jaws	See Manual
18	Jaw Spreader	07346-03101
19	Spring	07165-00305
20	Spring Guide	07494-03027
21	Screw	07001-00368
22	Platform	07345-00401
23	Jaw Spreader Housing	71210-02101
24	Stop Nut Assembly	71213-20200
25*	Safety Cap	71210-20201
26*	Safety Cap Q/R	71213-20201

\*Items not shown



**Note:** Nose tips and jaws (**14** and **17**) vary to suit specific fasteners.

**For complete assembly part numbers, including nose tips and jaws, refer to tool manual.**

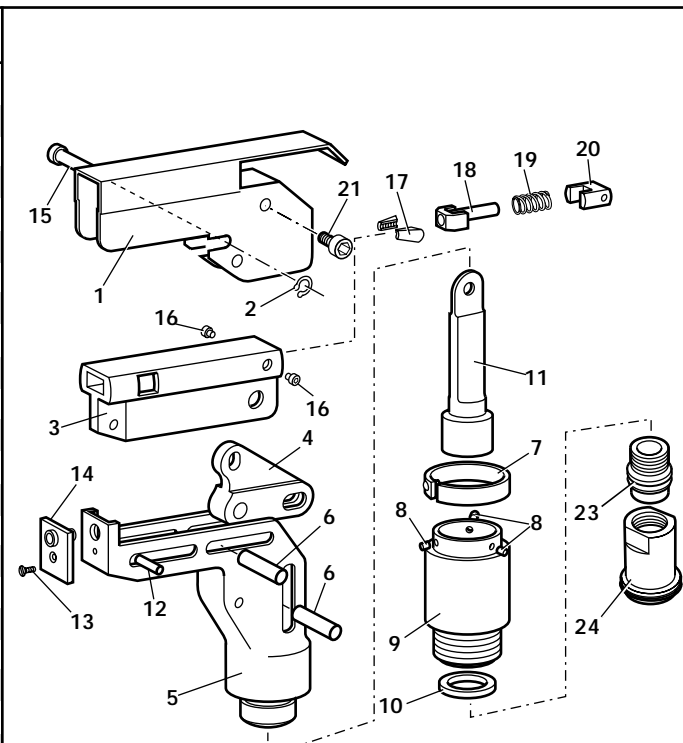
## Fitting the Right Angle Swivel Head Assembly

Item numbers in **bold** refer to the parts list and illustration below.

Prepare the base tool as per the instructions 1, 2, 3 and 4 on the front page.

- Remove Screw **21** (4 off).
- Slide Guard **1** from Body **5**.
- Remove Pivot Pin **6** that secures Spindle **11** to Body **5**. Remove Spindle **11**.
- Screw Spindle **11** onto the Jaw Spreader Housing **23**. Tighten gently with a tommy bar.
- Screw the assembly over Spindle **11** into the front the tool head casting. Replace Pivot Pin **6**.
- Slide Guard **1** over the assembly, carefully sliding the cut out slots around the head of Pivot Pin **15** and under Circlip **2**.
- Secure Guard **1** with Screw **21** (4 off).

PARTS LIST - RIGHT ANGLE SWIVEL HEAD		
ITEM	DESCRIPTION	RIGHT ANGLE SWIVEL
1	Guard	07494-03003
2	Circlip	07004-00105
3	Jaw Carrier	07494-03026
4	Lever	07495-03004
5	Body	07495-03002
6	Pivot Pin	07343-02207
7	Spring Clip	07495-03900
8	Roller	07007-00039
9	Adaptor	07345-03001
10	Locking Ring	07345-03003
11	Spindle	07345-03002
12	Dowel Pin	07007-00038
13	Screw	07342-02207
14	Nose Tip	See Manual
15	Pivot Pin	07346-03102
16	Screw	07494-03028
17	Jaws	See Manual
18	Jaw Spreader	07346-03101
19	Spring	07165-00305
20	Spring Guide	07494-03027
21	Screw	07210-00804
23	Jaw Spreader Housing	71210-02101
24	Stop Nut Assembly	71213-20200
25*	End Cap	71210-20201
26*	End Cap Q/R	71213-20201
* Items not shown		



**Note:** Nose tips and jaws (**14** and **17**) vary to suit specific fasteners.

**For complete assembly part numbers, including nose tips and jaws, refer to tool manual.**

### Avdel UK Limited

Watchmead Industrial Estate, Welwyn Garden City, Herts, AL7 1LY United Kingdom

Tel: +44 1707 292000

Facsimile: +44 1707 292199

[www.avdel.global.com](http://www.avdel.global.com)

Avdel® and Genesis® are trademarks of Avdel UK Limited.

Data Sheet No.	Issue	Change Note No.
07900-0000796	A	07/044
	A2	07/103
	A3	08/057