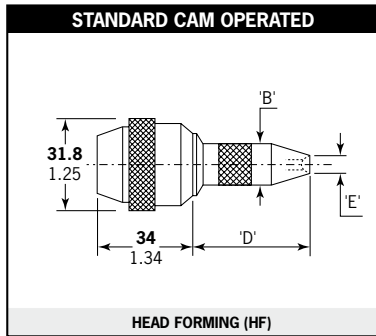


Rivscrow® & Rivscrow® PL Nose Equipment

Ensembles de nez / Mundstücke / Equipaggiamento / Equipos de colocación

Rivscrow®

Head forming / a formage de tête / kopfformend / a formatura di testa / Tipo de boquilla

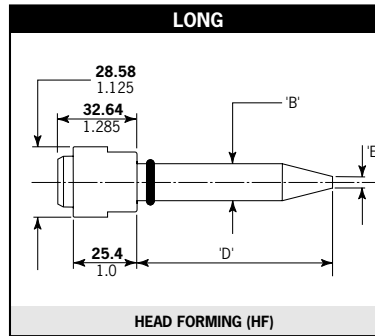


Applications with no or little access restrictions.
Pour applications ne présentant que peu ou pas de contraintes d'accès.

Für alle gut zugänglichen Nietpunkte.

Adatta per applicazioni senza restrizioni di accesso o con restrizioni di accesso limitate.

Apta para aquellas aplicaciones sin ninguna o pocas restricciones de acceso.



Allows more penetration into applications.

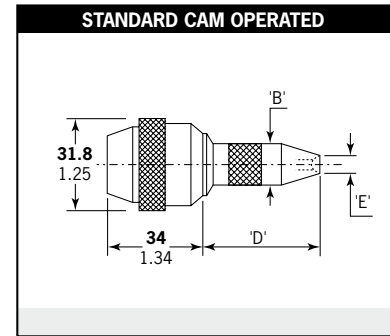
Permet une pénétration supérieure dans les applications sans autres contraintes d'accès.

Für tiefsitzende und eng an den Bauteilseiten anliegende Nietpunkte.

Consente una penetrazione maggiore nell'applicazione senza altre restrizioni di accesso.

Permite una mayor profundidad de acceso en aquellas aplicaciones sin restricción de acceso en anchura.

Rivscrow® PL



Applications with no or little access restrictions.
Pour applications ne présentant que peu ou pas de contraintes d'accès.

Für alle gut zugänglichen Nietpunkte.

Adatta per applicazioni senza restrizioni di accesso o con restrizioni di accesso limitate.

Apta para aquellas aplicaciones sin ninguna o pocas restricciones de acceso.

ø nom.	Fastener / Rivets / Niettyp / Rivetti / Remaches	Nose Equipment / Nez de pose / Mundstück / Testata / Boquilla /	Part No/ref	Dimensions / Dimension / Abmessungen / Dimensioni / Dimensiones		
				B	D	E
2.8 mm	Rivscrow®	Standard cam operated	07271-03000	.41	1.18	.24
		Long	07271-08600	.61	2.64	.25
3.0 mm		Standard cam operated	07271-03000	.41	1.18	.24
		Long	07271-08600	.61	2.64	.25
3.5 mm		Standard cam operated	07271-03500	.41	1.18	.24
		Long	07271-08700	.61	2.64	.25
4.0 mm		Standard cam operated	07271-04000	.41	1.18	.25
		Long	07271-08800	.61	2.64	.28
3.0 mm	Rivscrow® PL	Standard cam operated	07271-03000	.41	1.18	.24
3.5 mm						
4.0 mm		Standard	07150-03005	.48	1.30	.24
4.5 mm						

all dimensions in inches / en pouces / alle Maße in Zoll / in pollici / en pulgadas



An Acument™ Global Technologies Company

www.avdel-global.com

© 2007 Acument Intellectual Properties, LLC

Rivscrow® is a trademark of Avdel UK Limited

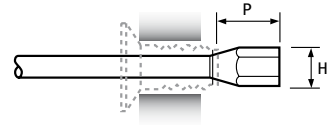
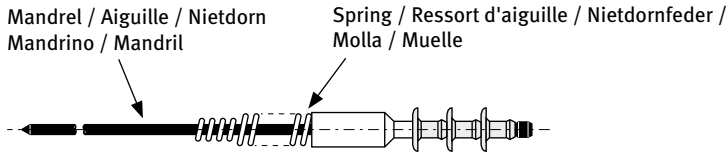
05.2009

Data shown is subject to change without prior notice as a result of continuous product development and improvement policy.
Your local Avdel representative is at your disposal should you need to confirm latest information.

Rivscrew® & Rivscrew® PL Mandrel & Spring Information

Aiguilles et Ressorts d'aiguille / Nietdorne und -federn

Mandrini e Molle / Mandriles y Muelles



\emptyset nom.	Nose Nez Mundstück Testata Boquilla Part No/ref.	Description Description Beschreibung Descrizione Descripción	H A/F	P	Mandrel Aiguille Nietdorn Mandrino Mandril Part No/ref	Spring Ressort d'aiguille Nietdornfeder Molla Muelle Part No/ref
Rivscrew® 1722						
2.8 mm	07271-03000	Standard cam operated	.065	.127	07271-06030	07271-06630
	07271-08600	Long			07271-07030	07271-07630
3.0 mm	07271-03000	Standard cam operated	.065	.127	07271-06030	07271-06630
	07271-08600	Long			07271-07030	07271-07630
3.5 mm	07271-03500	Standard cam operated	.0825	.132	07271-06035	07271-06635
	07271-08700	Long			07271-07035	07271-07635
4.0 mm	07271-04000	Standard cam operated	.103	.150	07271-06140	07271-06640
	07271-08800	Long			07271-07140	07271-07640
Rivscrew® PL 1742						
3.0 mm	07271-03000	Standard cam operated	.065	.127	07279-06429	07271-06630
3.5 mm						
4.0 mm	07150-03005	Standard	.0825	.132	07271-06035	07271-06635
4.5 mm			.103	.150	07271-06140	07271-06640

all dimensions in inches / en pouces / alle Maße in Zoll / in pollici / en pulgadas



An Acument™ Global Technologies Company

www.avdel-global.com

© 2007 Acument Intellectual Properties, LLC

Rivscrew® is a trademark of Avdel UK Limited

03.2009

Data shown is subject to change without prior notice as a result of continuous product development and improvement policy.
Your local Avdel representative is at your disposal should you need to confirm latest information.