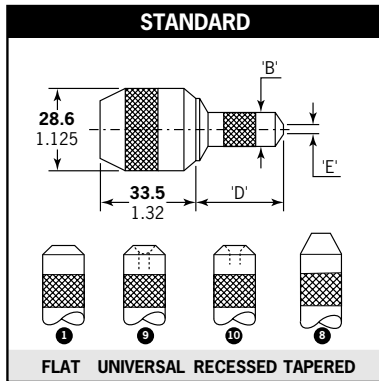


# Briv<sup>®</sup>, Chobert<sup>®</sup> & Grovit<sup>®</sup> Nose Equipment

Ensembles de nez / Mundstücke / Equipaggiamento / Equipos de colocación

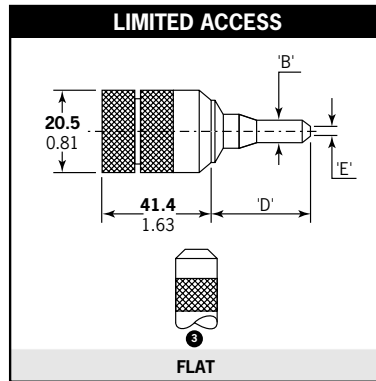


Applications with no or little access restrictions.  
Pour applications ne présentant que peu ou pas de contraintes d'accès.

Für alle gut zugänglichen Nietpunkte.

Adatta per applicazioni senza restrizioni di accesso o con restrizioni di accesso limitate.

Apta para aquellas aplicaciones sin ninguna o pocas restricciones de acceso.



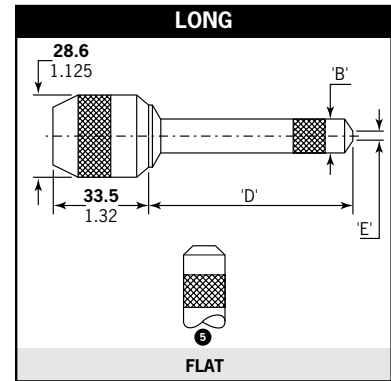
Allows access into very restrictive applications.

Permet d'accéder à des applications à accès très limité.

Für eng an den Bauteilseiten anliegende Nietpunkte.

Consente l'accesso ad applicazioni con serie restrizioni di accesso.

Permite el acceso en aplicaciones de acceso extremadamente limitado.



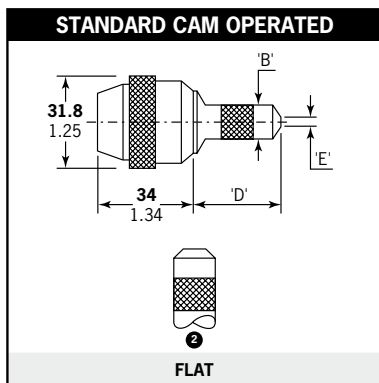
Allows more penetration into applications.

Permet une pénétration supérieure dans les applications sans autres contraintes d'accès.

Für tiefsitzende und eng an den Bauteilseiten anliegende Nietpunkte.

Consente una penetrazione maggiore nell'applicazione senza altre restrizioni di accesso.

Permite una mayor profundidad de acceso en aquellas aplicaciones sin restricción de acceso en anchura.



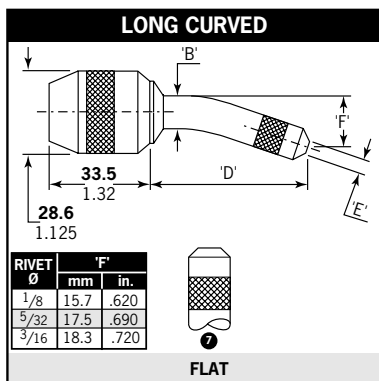
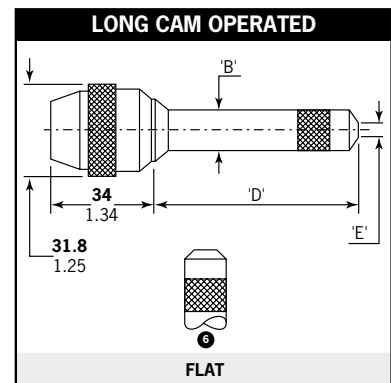
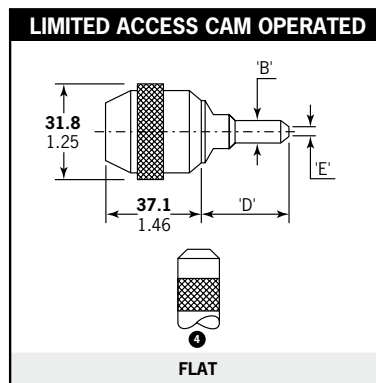
Nose equipment with addition of a twist cam to ease and speed up the nose jaw opening thus the pod reloading procedure.

Ensembles de nez avec, en plus, une came facilitant et accélérant l'ouverture du nez de pose, et donc le rechargement en fixations.

Zum leichteren Magazinieren haben diese Mundstücke durch einen Drehring zu öffnende Mundstückschnäbel.

Equipaggiamento con l'aggiunta di una camma per facilitare e rendere più veloce l'apertura della testata e pertanto la procedura di ricarica dell'astuccio portarivetti.

Boquillas que incorporan una leva para facilitar y hacer más rápida la apertura de la boquilla y el procedimiento de carga.



Allows more penetration into applications.

Permet une pénétration supérieure dans les applications à accès limité.

Für tiefsitzende und eng an den Bauteilseiten anliegende Nietpunkte.

Consente una penetrazione maggiore nelle applicazioni con restrizioni di accesso.

Permite una mayor penetración en las aplicaciones con acceso limitado.

## Type

- 1 - 7 Flat / Plat / Flach / Piatta / Plana
- 8 Tapered / Biseauté / Spitz / A punta / Conica
- 9 Universal / Universel / Für erhöhte Klammerkraft / Universale / concava
- 10 Recessed / En retrait / Spezial / Incassata / Apriete



An Acument™ Global Technologies Company

www.avdel-global.com

© 2007 Acument Intellectual Properties, LLC

Briv<sup>®</sup>, Chobert<sup>®</sup> and Grovit<sup>®</sup> are trademarks of Avdel UK Limited

10.2009, page 1/2

Data shown is subject to change without prior notice as a result of continuous product development and improvement policy.  
Your local Avdel representative is at your disposal should you need to confirm latest information.

# Briv<sup>®</sup>, Chobert<sup>®</sup> & Grovit<sup>®</sup> Nose Equipment

Ensembles de nez / Mundstücke / Equipaggiamento / Equipos de colocación

ø nom.	Fastener / Rivets / Niettyp / Rivetti / Remaches	Nose Equipment / Nez de pose / Mundstück / Testata / Boquilla /	Type	Part No/ref	Dimensions / Dimension / Abmessungen / Dimensioni / Dimensiones		
					B	D	E
3/32"	Briv <sup>®</sup> / Chobert <sup>®</sup> / Grovit <sup>®</sup>	Standard	①	07150-03003	.36	1.30	.16
		Standard cam operated	②	07170-04500	.36	1.30	
		Limited access	③	07274-01000	.22	1.07	
		Limited access cam operated	④	07177-03003	.20	1.18	
		Standard tapered	⑧	07170-03103	.36	1.30	
1/8"	Briv <sup>®</sup> / Chobert <sup>®</sup> / Grovit <sup>®</sup>	Standard	①	07150-03004	.41	1.18	.20
		Standard cam operated	②	07170-04600		1.18	
		Long	⑤	07150-04004		2.18	
		Long cam operated	⑥	07170-05000		2.18	
		Long curved	⑦	07150-05004		2.12	
		Standard tapered	⑧	07170-03104		1.19	
		Double Flush Chobert <sup>®</sup>	⑨	07537-03100		1.15	
	5/32"	Briv <sup>®</sup> / Chobert <sup>®</sup> / Grovit <sup>®</sup>	Standard	①	07150-03005	.48	1.30
Standard cam operated			②	07170-04700	1.30		
Long			⑤	07150-04005	2.30		
Long cam operated			⑥	07170-05100	2.30		
Long curved			⑦	07150-05005	2.23		
Chobert <sup>®</sup> / Grovit <sup>®</sup>		⑧	07150-03105	.44	1.30		
3/16"		Briv <sup>®</sup> / Chobert <sup>®</sup>	Standard	①	07150-03006	.56	1.18
	Standard cam operated		②	07170-04800	1.18		
	Long		⑤	07150-04006	2.30		
	Long cam operated		⑥	07170-05200	2.30		
	Long curved		⑦	07150-05006	2.21		
	Chobert <sup>®</sup>	⑧	07150-03106	.56	1.18		
	6.0 mm	Briv <sup>®</sup>	Standard	①	07170-05800	.64	1.21
Standard cam operated			②	07170-05600	1.21		
Long			⑤	07170-05900	2.19		
Long cam operated			⑥	07170-05700	2.19		
1/4"	Chobert <sup>®</sup>	Standard	①	07150-03008	.64	1.18	.39
		Standard cam operated	②	07170-04900		1.18	
		Long	⑤	07150-04008		2.18	
		Long cam operated	⑥	07170-05300		2.18	

## Head forming Nose Equipment / a formage de tête / kopfformend / a formatura di testa / tipo de boquilla

3/32"	Briv <sup>®</sup> 1)	Standard	⑨	07150-03203	.36	1.33	.24
1/8"			⑩	07170-03004	.41	1.20	.30
			⑨	07150-03204		1.22	.32
5/32"			⑩	07170-03005	.48	1.32	.41
			⑨	07150-03205		1.35	
3/16"			⑩	07170-03006	.56	1.20	.47
			⑨	07150-03206		1.24	

all dimensions in inches / en pouces / alle Maße in Zoll / in pollici / en pulgadas

1) except stainless steel and countersunk / sauf inox et tête fraisée / außer Edelstahl und Senkkopf / eccetto acciaio inox e testa svasata / excepto acero inoxidable y cabeza avellanada

⑨ maximises clench but reduces grip range by approx. .015" / obtenir le plus fort serrage possible, mais la prise maximum se trouve réduite d'environ 0,4 mm / maximiere Klammerkraft bei Verringerung des Klemmbereiches um ca. .015" / ottiene la ribaditura più alta possibile, ma la distanza massima tra i centri dei rivetti viene ridotta di circa .015" / se alcanza un máximo apriete en la fijación, pero el espesor máximo se reduce en aproximadamente .015"

⑩ increases clench without affecting grip range / Augmente le sertissage sans influencer l'épeseur / erhöhte Klammerkraft bei gleichem Klemmbereich / aumenta la ribaditura (la presa di rivettatura) senza compromettere lo spessore / incrementa el apriete sin afectar al rango de espesores a remachar



An Acument™ Global Technologies Company

www.avdel-global.com

© 2007 Acument Intellectual Properties, LLC

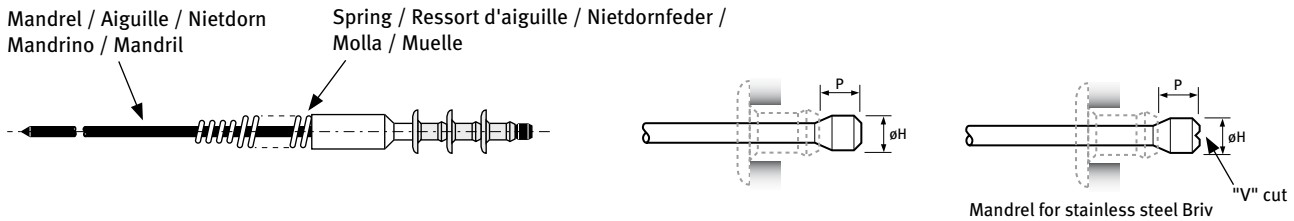
Briv<sup>®</sup>, Chobert<sup>®</sup> and Grovit<sup>®</sup> are trademarks of Avdel UK Limited


10.2009, page 2/2

Data shown is subject to change without prior notice as a result of continuous product development and improvement policy.  
Your local Avdel representative is at your disposal should you need to confirm latest information.

# Briv<sup>®</sup> Mandrel and Spring Information

Aiguilles et Ressorts d'aiguille / Nietdorne und -federn  
Mandrini e Molle / Mandriles y Muelles



ø nom.		Description / description / Beschreibung / descrizione / descripción	ø H	P max.	Standard Nose Equipment Nez de pose Standard Standard-Mundstück Testata Standard Boquilla Estándar		Long Nose Equipment Nez de pose Long Langes Mundstück Testata Lunga Boquilla Larga	
					Mandrel Part No/ref	Spring Part No/ref	Mandrel Part No/ref	Spring Part No/ref
3/32" Brass, Aluminium	as rec.	Standard green	.072	.119	07150-06013	07150-06803 <sup>1)</sup>	N/A	N/A
	+ .004	1. oversize yellow	.076	.123	07150-06113			
	+ .008	2. oversize blue	.079	.126	07150-06213			
1/8" Brass, Aluminium, Steel	as rec.	Standard green	.092	.120	07271-06414	07150-06814	07271-07414	07150-07814
	+ .005	1. oversize yellow	.097	.126	07271-06514		07271-07514	
	+ .010	2. oversize blue	.102	.133	07271-06614		07271-07614	
1/8" Stainless Steel	as rec.	Standard green	.098	.121	07170-06804	07150-06814	07170-07804	07150-07814
	+ .005	1. oversize yellow	.103	.128	07170-06824		07170-07824	
5/32" Brass, Aluminium, Steel	as rec.	Standard green	.110	.136	07150-06015	07170-06875	07150-07015	07170-07875
	+ .005	1. oversize yellow	.115	.142	07150-06115		07150-07115	
	+ .010	2. oversize blue	.120	.149	07150-06215		07150-07215	
5/32" Stainless Steel	as rec.	Standard green	.120	.126	07170-06805	07170-06875	07170-07805	07170-07875
	+ .005	1. oversize yellow	.125	.132	07170-06825		07170-07825	
3/16" Brass, Aluminium, Steel	as rec.	Standard green	.141	.157	07150-06016	07170-06876	07150-07016	07170-07876
	+ .005	1. oversize yellow	.146	.164	07150-06116		07150-07116	
	+ .010	2. oversize blue	.151	.170	07150-06216		07150-07216	
	+ .012	3. oversize red	.153	.173	07150-06316		07150-07316	
3/16" Stainless Steel	as rec.	Standard green	.153	.150	07170-06806	07170-06876	07170-07806	07170-07876
	+ .005	1. oversize yellow	.158	.156	07170-06826		07170-07826	
6.0 mm Aluminium, Steel	as rec.	Standard green	.179	.165	07150-06018	07150-06846	07150-07018	07150-07846
	+ .005	1. oversize yellow	.184	.171	07150-06118		07150-07118	
	+ .010	2. oversize blue	.189	.177	07150-06218		07150-07218	

all dimensions in inches / en pouces / alle Maße in Zoll / in pollici / en pulgadas

- 1) For use with standard flat nosepiece. For tapered nosepiece use spring 07170-06873 and for limited access nosepiece use 07170-06903.  
 Pour utilisation avec nez de pose standard. Avec le nez de pose biseauté utilisez le ressort d'aiguille 07170-06873 et avec le nez de pose en retrait utilisez le 07170-06903.  
 Für Verwendung mit Standard Mundstück flach. Bei spitzem Mundstück verwenden Sie Feder 07170-06873 und bei abgesetztem Mundstück Feder 07170-06903.  
 Per uso con nasello standard a filo. Con nasello a punta usate molle 07170-06873 e con nasello incassata usate molle 07170-06903.  
 Para uso con boquilla estándar plana. Con boquilla cónica utilizar muelle 07170-06873 y con boquilla de acceso limitado utilizar 07170-06903.

English	Français	Deutsch	Italiano	Español
Aluminium	Aluminium	Aluminium	Alluminio	Aluminio
Brass	Laiton	Kupfer-Zink Leg.	Ottone	Latón
Steel	Acier	Stahl	Acciaio	Acero
Stainless Steel	Inox	Edelstahl	Acciaio inox	Acero inoxidable
Standard green	Standard verte	Standard grün	Standard verde	Estándar verde
1. oversize yellow	1. surdimensionnée jaune	1. Übermaß gelb	1. maggiorazione giallo	1. sobremedida amarillo
2. oversize blue	2. surdimensionnée bleue	2. Übermaß blau	2. maggiorazione blu	2. sobremedida azul
3. oversize red	3. surdimensionnée rouge	3. Übermaß rot	3. maggiorazione rosso	3. sobremedida rojo



An Acument™ Global Technologies Company

www.avdel-global.com

© 2007 Acument Intellectual Properties, LLC

Briv<sup>®</sup> is a trademark of Avdel UK Limited

05a.2007

Data shown is subject to change without prior notice as a result of continuous product development and improvement policy.  
Your local Avdel representative is at your disposal should you need to confirm latest information.

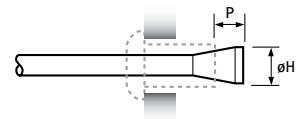
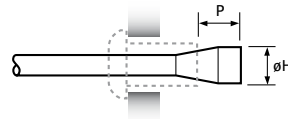
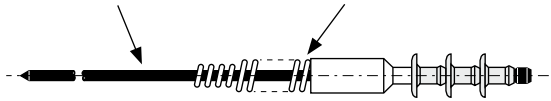
# Chobert® & Grovit® Mandrel and Spring Information

Aiguilles et Ressorts d'aiguille / Nietdorne und -federn

Mandrini e Molle / Mandriles y Muelles

Mandrel / Aiguille / Nietdorn  
Mandrino / Mandril

Spring / Ressort d'aiguille / Nietdornfeder /  
Molla / Muelle



Short Reach (S/R) mandrel

ø nom.	Image of mandrel	Description / description / Beschreibung / descrizione / descripción	ø H	P max.	P S/R max.	Standard Nose Equipment Nez de pose Standard Standard-Mundstück Testata Standard Boquilla Estándar		Long Nose Equipment Nez de pose Long Langes Mundstück Testata Lunga Boquilla Larga	
						Mandrel <sup>1)</sup> Part No/ref	Spring Part No/ref	Mandrel <sup>3)</sup> Part No/ref	Spring Part No/ref
3/32" Brass, Aluminium	as rec.	Standard green	.0725	.166	.071	07150-06003	07150-06803 <sup>2)</sup>	07150-07003	07150-07803
	+ .0015	1. oversize yellow	.074	.174	.078	07150-06303 <sup>1)</sup>		S/R only =07150-09103	
	+ .0035	2. oversize blue	.076	.185	N/A	07150-06103		07150-07103	
1/8" Brass, Alum., Steel Chobert® / Grovit®	as rec.	Standard green	.088	.216	.090	07150-06004	07150-06804	07150-07004	07150-07804
	+ .004	1. oversize yellow	.092	.237	.098	07150-06104		07150-07104	
	+ .010	2. oversize blue	.098	.268	.110	07150-06204		07150-07204	
	+ .014	3. oversize red	.102	.288	.118	07150-06304		07150-07304	
3.2 (1/8") Double Flush Chobert®	as rec.	Standard green	.088	N/A	.090	07150-08004	07271-06630	N/A	N/A
	+ .004	1. oversize yellow	.092	N/A	.098	07150-08104			
	+ .010	2. oversize blue	.098	N/A	.110	07150-08204			
5/32" Brass, Alum., Steel	as rec.	Standard green	.107	.244	.100	07150-06005	07170-06875	07150-07005	07170-07875
	+ .008	1. oversize yellow	.115	.284	.116	07150-06105		07150-07105	
	+ .015	2. oversize blue	.122	.320	.130	07150-06205		07150-07205	
	+ .025	3. oversize red	.132	.372	.150	07150-06305		07150-07305	
3/16" Brass, Alum., Steel	as rec.	Standard green	.132	.247	.102	07150-06006	07170-06876	07150-07006	07170-07876
	+ .014	1. oversize yellow	.146	.320	.130	07150-06106		07150-07106	
	+ .024	2. oversize blue	.156	.372	.150	07150-06206		07150-07206	
1/4" Alum., Steel	as rec.	Standard green	.184	.268	.110	07150-06008	07150-06808	07150-07008	07150-07808
	+ .012	1. oversize yellow	.196	.330	.134	07150-06108		07150-07108	

all dimensions in inches / en pouces / alle Maße in Zoll / in pollici / en pulgadas

- For S/R mandrel substitute 6 with 8 (07150-06xxx ⇒ 07150-08xxx), exception: 07150-06303 becomes 07150-08103.  
Pour aiguille S/R remplacer 6 par 8 (07150-06xxx ⇒ 07150-08xxx), exception: 07150-06303 change à 07150-08103.  
Für S/R Nietdorn ersetzen Sie 6 durch 8 (07150-06xxx ⇒ 07150-08xxx), Ausnahme: 07150-06303 wird zu 07150-08103.  
Per mandrino S/R sostituire 6 con 8 (07150-06xxx ⇒ 07150-08xxx), eccezione: 07150-06303 cambia a 07150-08103.  
Con mandril cono corto S/R cambiar 6 por 8 (07150-06xxx ⇒ 07150-08xxx), excepción: 07150-06303 cambia a 07150-08103.
- For use with standard flat nose piece. For tapered nose piece use spring 07170-06873 and for limited access nose piece use 07170-06903.  
Pour utilisation avec nez de pose standard. Avec le nez de pose biseauté utilisez le ressort d'aiguille 07170-06873 et avec le nez de pose en retrait utilisez le 07170-06903.  
Für Verwendung m. Standard Mundstück flach. Bei spitzem Mundstück verwenden Sie Feder 07170-06873, bei abgesetztem Mundstück Feder 07170-06903.  
Per uso con nasello standard a filo. Con nasello a punta usate molle 07170-06873 e con nasello incassata usate molle 07170-06903.  
Para uso con boquilla estándar plana. Con boquilla cónica utilizar muelle 07170-06873 y con boquilla de acceso limitado utilizar 07170-06903.
- For S/R mandrel substitute 7 with 9 (07150-07xxx ⇒ 07150-09xxx)  
Pour aiguille S/R remplacer 7 par 9 (07150-07xxx ⇒ 07150-09xxx)  
Für S/R Nietdorn ersetzen Sie 7 durch 9 (07150-07xxx ⇒ 07150-09xxx)  
Per mandrino S/R sostituire 7 con 9 (07150-07xxx ⇒ 07150-09xxx)  
Con mandril cono corto S/R cambiar 7 por 9 (07150-07xxx ⇒ 07150-09xxx)

English	Français	Deutsch	Italiano	Español
Aluminium	Aluminium	Aluminium	Alluminio	Aluminio
Brass	Laiton	Kupfer-Zink Leg.	Ottone	Latón
Steel	Acier	Stahl	Acciaio	Acero
Stainless Steel	Inox	Edelstahl	Acciaio inox	Acero inoxidable
Standard green	Standard verte	Standard grün	Standard verde	Estándar verde
1. oversize yellow	1. surdimensionnée jaune	1. Übermaß gelb	1. maggiorazione giallo	1. sobremedida amarillo
2. oversize blue	2. surdimensionnée bleue	2. Übermaß blau	2. maggiorazione blu	2. sobremedida azul
3. oversize red	3. surdimensionnée rouge	3. Übermaß rot	3. maggiorazione rosso	3. sobremedida rojo



An Acument™ Global Technologies Company

www.avdel-global.com

© 2007 Acument Intellectual Properties, LLC

Chobert® and Grovit® are trademarks of Avdel UK Limited

10.2009

Data shown is subject to change without prior notice as a result of continuous product development and improvement policy.  
Your local Avdel representative is at your disposal should you need to confirm latest information.