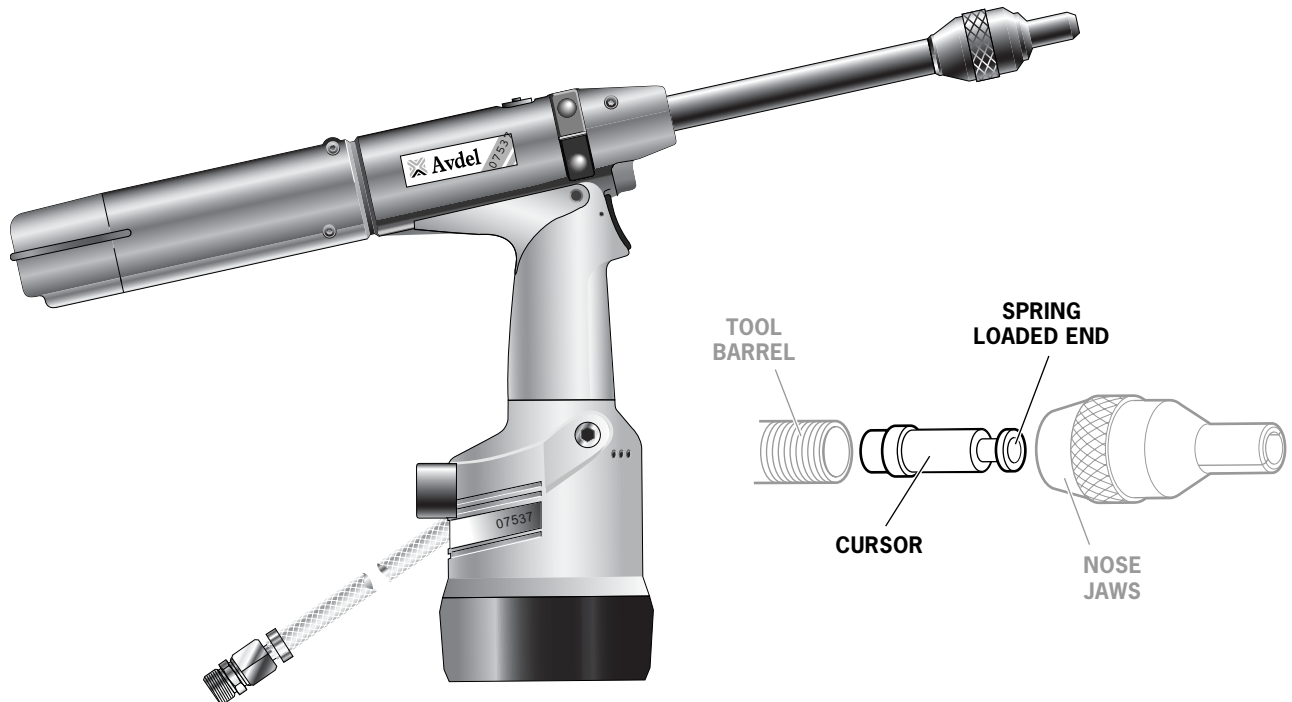


Putting into Service

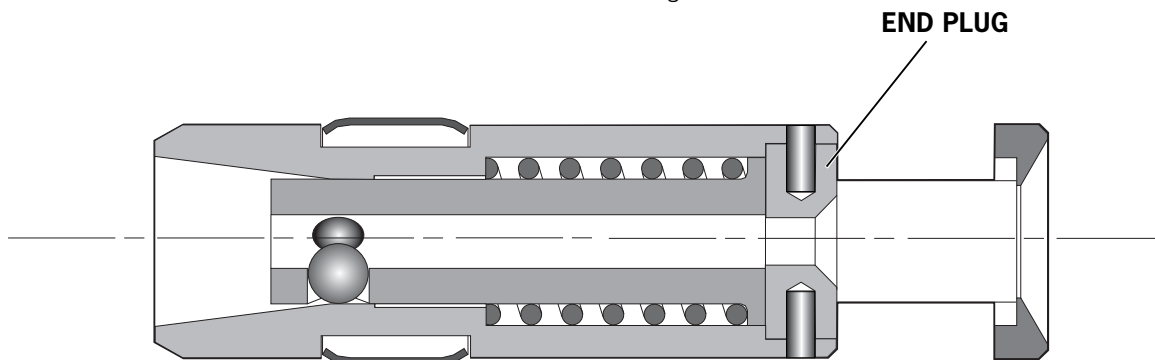
Mechanical Cursors



For reference there are three different mechanical cursor types:

- 07271-01100 Used for Standard mandrels and 5/32" Disposable mandrels
- 07279-05843 Used for 1/8" Disposable mandrels
- 07279-05845 Used for 3/16" Disposable mandrels

The difference in the above assemblies is the internal diameter of the End Plug.



These are colour coded see below:

| MECHANICAL CURSOR PART NO. | END PLUG PART NO. | COLOUR | HOLE DIAMETER (mm) |
|----------------------------|-------------------|-------------|--------------------|
| 07271-01100 | 07150-00402 | PLAIN STEEL | 2.7 |
| 07279-05843 | 07159-05844 | GOLD | 2.2 |
| 07279-05845 | 07159-05846 | SILVER | 3.3 |

Cursor

IMPORTANT

If fitted incorrectly, the cursor will not allow feeding of the fasteners.

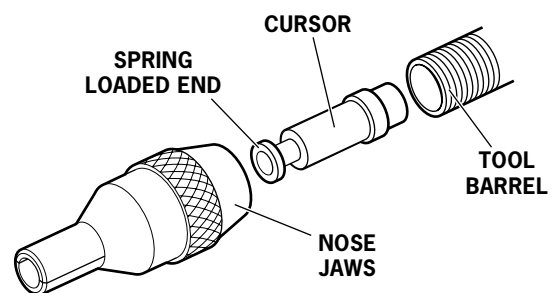
While the cursor will be fitted the correct way round when the tool is supplied, we recommend that you check its orientation before fitting the nose equipment. The sprung loaded, slightly concave, end of the cursor should point towards the front of the tool as shown in the illustration.

When fitted the correct way round, the cursor will easily slide out of the barrel when a mandrel is pushed into its centre then pulled back.

To reverse the orientation of the cursor, follow these steps:

Item numbers in **bold** refer to the general assembly and parts list for the 07537-00200 on pages 26-27.

- Remove the clip **48** and slide off end cap **50**.
- Using an Allen Key, remove one cap head screw **5** ensuring that any trapped air is exhausted. remove the second cap head screw **5**.
- Pull out rear plug **47**.
- Pull out tail jaw piston assembly **51** together with jaws **34**.
- Lift out spring **35** and jaw housing **41**.
- Insert a mandrel into the hole in the rear end of barrel **44** until it protrudes through the front of the barrel, then pull out the mandrel and cursor together through the front.
- Reassemble components in reverse order.
- Insert Mechanical Cursor Assembly **36** into the front of the barrel, correct way round.



Loading and Reloading the Tool

IMPORTANT

The procedure for loading the tool and for fitting the nose equipment to the tool is integral.

When ordering a complete tool or system you will normally be supplied with all the nose equipment required for the fastener to be placed. To identify nose equipment components or to select the correct elements, read the nose equipment section, on pages 12-20.

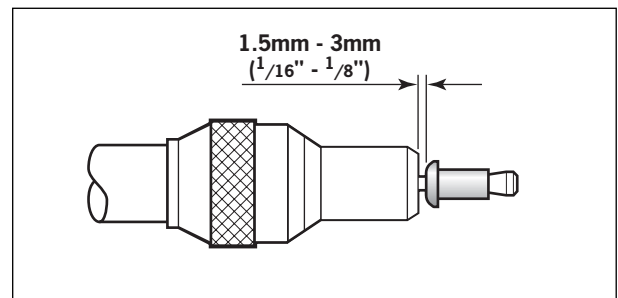
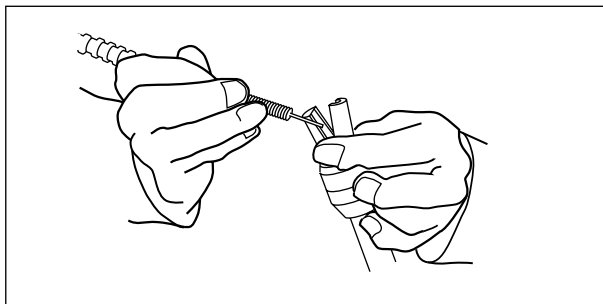
If you have been supplied with a nose jaw, mandrels and mandrel follower springs proceed with loading the tool and fitting the nose equipment as shown overleaf.

Item numbers in **bold** refer to the general assembly and parts list for the 07537-00200 on pages 26-27.

Putting into Service

Loading the Tool

- Connect the air supply to the tool.
- Open tail jaws **34** which grip the mandrel, by switching off the tail jaw switch (items **22** and **23**).
- Screw selected nose jaws onto barrel **44** of the tool.
- * Insert a mandrel into the tail end of the fasteners through the paper pod.
- Slide the mandrel follower spring onto the mandrel ensuring correct orientation, as shown in the table on page 11.
- Gripping the tail end of the mandrel, tear off the paper pod from around the fasteners.
- Open the nose jaws either by rotating the outer ring on Cam operated jaws or by pushing outwards on the jaw ends, as illustrated below left.
- Insert the previously assembled mandrel, mandrel follower spring and fasteners into the nose jaws until the first fastener to be placed is protruding from the nose jaw.
- Close the nose jaws and adjust so that the first fastener protrudes by 1.5mm - 3mm ($1/16''$ to $1/8''$), as shown in the illustration below right.
- Close the tail jaws to ensure the mandrel is gripped, by switching on the tail jaw switch (items **22** and **23**).



Reloading the Tool

- Open tail jaws **34** of tool.
- Open the nose jaws and pull the empty mandrel and mandrel follower spring out of the tool.
- Reload the tool by following the above instructions, starting at stage •*.

Operating Procedure

IMPORTANT

You must check that the cursor orientation and the nose equipment are correct before attempting to operate the tool.

- Push the fastener, protruding from the nose jaws, fully into the application holes ensuring that the tool is held square.
- Operate the trigger without releasing - the mandrel head is pulled through the fastener, forming the fastener into the application.
- Remove the tool.
- Release the trigger. The next fastener will be automatically presented through the nose jaws, ready for placing.

Item numbers in **bold** refer to the general assembly and parts list for the 07537-00200 on pages 26-27.

Putting into Service

| MANDREL FOLLOWER SPRINGS IDENTIFICATION AND ORIENTATION | | | | |
|---|---------------|---|-------------------------------|--|
| FASTENER | | NOSE JAW (SEE NOSE EQUIPMENT SECTION) | MANDREL SIZE | MANDREL/MANDREL FOLLOWER SPRING AND FASTENER ASSEMBLY |
| NAME | SIZE | | | |
| BRIV® | 3/32" | STANDARD TAPERED | ALL | |
| | 3/32" | LIMITED ACCESS & LIMITED ACCESS CAM OPERATED | ALL | |
| | 1/8" | ALL | ALL | |
| | 5/32" | ALL | ALL | |
| | 3/16" | ALL | ALL | |
| | 6mm | STANDARD | ALL EXCEPT 3rd OVERSIZE | |
| CHOBERT® AVLUG® GROVIT® | 3/32" | ALL EXCEPT STANDARD TAPERED, LIMITED ACCESS | ALL | |
| | 3/32" | STANDARD TAPERED, LIMITED ACCESS | ALL | |
| | 1/8" | ALL | ALL | |
| CHOBERT® GROVIT® | 5/32" | ALL | ALL EXCEPT 3rd OVERSIZE | |
| | 5/32" | ALL | 3rd OVERSIZE | |
| | 3/16" | ALL | ALL EXCEPT 2nd OVERSIZE | |
| | 3/16" | ALL | 2nd OVERSIZE | |
| CHOBERT® | 1/4" | ALL | ALL | |
| RIVSCREW® | 2.8mm | ALL | ALL | |
| | 3mm | | | |
| | 3.5mm | ALL | ALL | |
| | 4mm | | | |
| AVSERT® | 2.5mm | ALL | ALL | |
| | 4 x 40 UNC | ALL | ALL | |
| | 3mm | | | |
| 6 x 32 UNC | ALL | ALL | | |
| AVTRONIC® | 2.5mm | ALL | ALL | |
| | 2.8mm | ALL EXCEPT LIMITED ACCESS | ALL | |
| | 2.8mm | LIMITED ACCESS | ALL | |

Nose Assemblies

On speed fastening tools such as 0753 MkII type, the nose equipment always consists of three elements: a nose jaw, a mandrel and a mandrel follower spring. All three items are matched to the fastener being placed and to the hole size in the application.

IMPORTANT

To avoid complete dismantling of the tool it is essential to check the orientation of the cursor before fitting the nose equipment to the tool. See 'CURSOR' section on page 9.

It is essential that the correct nose equipment is fitted to the tool to ensure both effective placing of the fastener and SAFE operation of the tool. READ THE SAFETY INSTRUCTIONS page 4 carefully.

To identify the correct combination of nose equipment to fit your tool first select a nose jaw by reading the section below then read the mandrel section to select part numbers both for the mandrel itself and for the mandrel follower spring. Mandrels and mandrel follower springs are illustrated on page 11.

To fit the nose equipment, follow the 'Loading the Tool' procedure page 10.

Nose Jaws

IMPORTANT

The wrong nose jaw could result in an incorrectly placed fastener or incorrect clench.

Nose Jaws can be categorised into 7 different basic shapes as illustrated opposite, even though internal dimensions will vary according to the fastener it is intended for. Exact dimensions referring to the letters in the illustrations opposite are indicated in the 'Nose Jaw Selection Tables' on pages 14-15.

For a particular shape, there may be several options of end form giving access benefits or fastener placing enhancement.

Flat

- Normal end form of all nose jaws.
- Suitable on all applications with no access restrictions.

Universal

- Designed for use with universal head Chobert® fasteners.
- Can also be used with Briv® fasteners to obtain the highest possible clench. Note this reduces the maximum grip range of the Briv® fastener by approximately 0.015" (0.4mm).

Recessed

- For use with Briv® fasteners ONLY.
- It gives a higher clench than a flat end form but less than a universal end form, with no reduction of the grip range of the fastener.

Tapered

- Available as shown in the 'Nose Jaw Selection Tables'.
- Allows greater accessibility than a flat end form and places the same range.

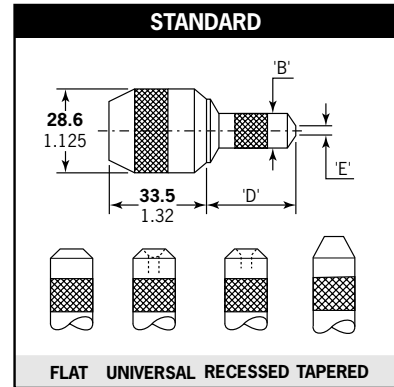
Head Forming

- For use with Rivscrew® fasteners ONLY.
- Deforms the head of the fastener to achieve good clench.

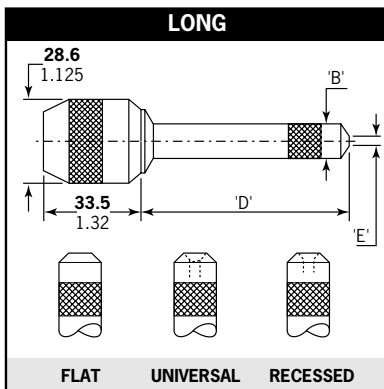
Nose Assemblies

Selecting a Nose Jaw

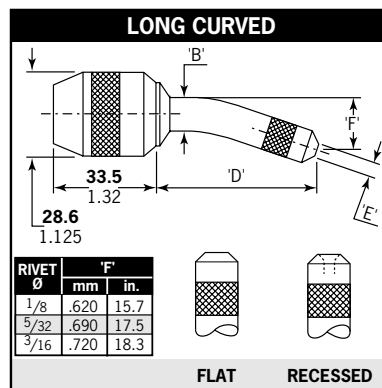
- List the name, size and material of the fastener to be placed.
- Look for this fastener in the first column of the nose jaw selection tables on page 14 if you use imperial measurements and on page 15 if you use metric units.
- Looking right across the table, take note of which nose jaws are available. ONLY those shown are available.
- Select which is most suitable for your application by referring to the respective nose jaw drawing. If your application has no access restriction, you should select the standard shape with a flat end form with or without a cam.



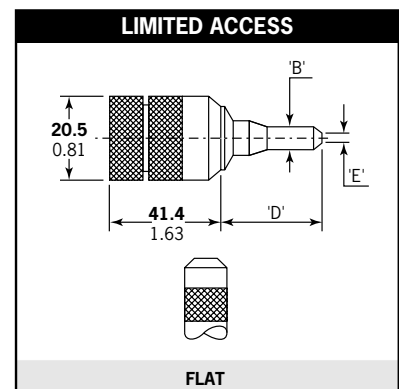
Available in 4 different end forms to place all fasteners (except Rivscrew). Suitable on applications with no or little access restriction.



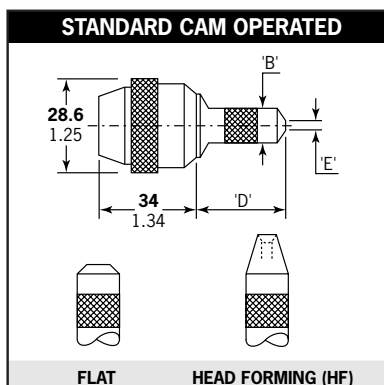
Available to place most of the fasteners. Allows more penetration into applications with no other access restriction.



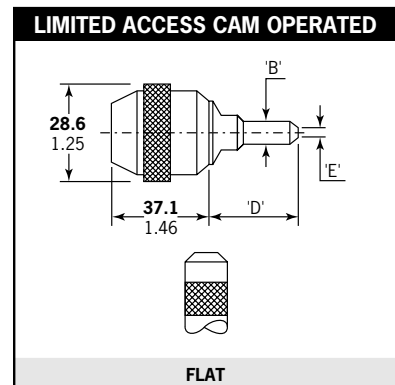
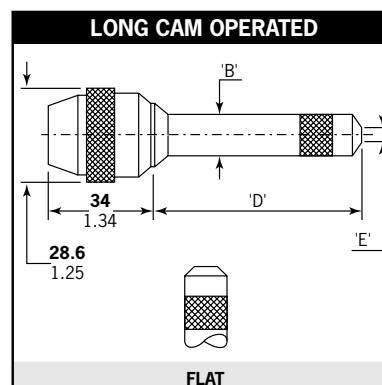
Available as shown in NOSE JAW SELECTION TABLE. Allows more penetration into applications with restricted access. Mandrels must be curved by hand to follow the shape of the jaw.



Available as shown in NOSE JAW SELECTION TABLE. Allows access into very restrictive applications.



Available as shown in NOSE JAW SELECTION TABLE overleaf. Equivalent functions to the Standard and Limited Access above with the addition of a cam to ease and speed up the nose jaw opening thus the pod reloading procedure.



Dimensions shown in **bold** are millimetres. Other dimensions are in inches.

Nose Assemblies

Nose Jaw Selection - Imperial

The 'REF N°' column cross references with the 'REF N°' columns in the mandrel section. It identifies both the mandrel and mandrel follower spring required for a particular nose jaw with a specific fastener.

| FASTENER | REF. N° | NOSE JAW | | | | | REF. N° | NOSE JAW | | | | |
|-------------------------------------|---------|--------------------------|-------------|------------|------|-----|---------|--------------------------|-------------|------------|------|-----|
| | | TYPE AND END FORM | PART N° | DIMENSIONS | | | | TYPE AND END FORM | PART N° | DIMENSIONS | | |
| | | | | 'B' | 'D' | 'E' | | | | 'B' | 'D' | 'E' |
| 3/32" CHOBERT® & GROVIT® | 1 | STANDARD - FLAT | 07150-03003 | .36 | 1.30 | .16 | 1 | # STANDARD - UNIVERSAL | 07150-03203 | .36 | 1.33 | .24 |
| | 1 | STD. CAM OPERATED - FLAT | 07170-04500 | .36 | 1.30 | .16 | 1 | LTD. ACCESS CAM OPERATED | 07177-03003 | .20 | 1.18 | .16 |
| | 2 | STANDARD - TAPERED | 07170-03103 | .36 | 1.30 | .16 | 3 | LIMITED ACCESS | 07274-01000 | .22 | 1.07 | .16 |
| | 4 | LONG - FLAT | 07150-04003 | .41 | 2.30 | .16 | 4 | LONG CURVED - FLAT | 07150-05003 | .41 | 2.28 | .16 |
| 1/8" CHOBERT® & GROVIT® | 5 | STANDARD - FLAT | 07150-03004 | .41 | 1.18 | .20 | 5 | # STANDARD - UNIVERSAL | 07150-03204 | .41 | 1.22 | .32 |
| | 5 | STANDARD - TAPERED | 07170-03104 | .41 | 1.19 | .20 | 5 | STD. CAM OPERATED - FLAT | 07170-04600 | .41 | 1.18 | .20 |
| | 6 | LONG - FLAT | 07150-04004 | .41 | 2.18 | .20 | 6 | # LONG - UNIVERSAL | 07150-04204 | .41 | 2.22 | .30 |
| 5/32" CHOBERT® & GROVIT® | 6 | LONG CURVED - FLAT | 07150-05004 | .41 | 2.12 | .20 | 6 | LONG CAM OPERATED - FLAT | 07170-05000 | .41 | 2.18 | .20 |
| | 7 | STANDARD - FLAT | 07150-03005 | .48 | 1.30 | .24 | 7 | # STANDARD - UNIVERSAL | 07150-03205 | .48 | 1.35 | .41 |
| | 7 | STANDARD - TAPERED | 07150-03105 | .44 | 1.30 | .24 | 7 | STD. CAM OPERATED - FLAT | 07170-04700 | .48 | 1.30 | .24 |
| 3/16" CHOBERT® & GROVIT® | 8 | LONG - FLAT | 07150-04005 | .48 | 2.30 | .24 | 8 | # LONG - UNIVERSAL | 07150-04205 | .48 | 2.35 | .42 |
| | 8 | LONG CURVED - FLAT | 07150-05005 | .48 | 2.23 | .24 | 8 | LONG CAM OPERATED - FLAT | 07170-05100 | .48 | 2.30 | .24 |
| | 9 | STANDARD - FLAT | 07150-03006 | .56 | 1.18 | .33 | 9 | # STANDARD - UNIVERSAL | 07150-03206 | .56 | 1.24 | .47 |
| 1/4" CHOBERT® | 9 | STANDARD - TAPERED | 07150-03106 | .56 | 1.18 | .33 | 9 | STD. CAM OPERATED - FLAT | 07170-04800 | .56 | 1.18 | .33 |
| | 10 | LONG - FLAT | 07150-04006 | .56 | 2.30 | .33 | 10 | # LONG - UNIVERSAL | 07150-04206 | .56 | 2.39 | .48 |
| | 10 | LONG CURVED - FLAT | 07150-05006 | .56 | 2.21 | .33 | 10 | LONG CAM OPERATED - FLAT | 07170-05200 | .56 | 2.30 | .33 |
| 3/32" BRIV® Brass only | 11 | STANDARD - FLAT | 07150-03008 | .64 | 1.18 | .39 | 11 | STD. CAM OPERATED - FLAT | 07170-04900 | .64 | 1.18 | .39 |
| | 12 | LONG - FLAT | 07150-04008 | .64 | 2.18 | .39 | 12 | LONG CAM OPERATED - FLAT | 07170-05300 | .64 | 2.18 | .39 |
| 1/8" BRIV® Al. Alloy, Brass, Steel | 13 | STANDARD - TAPERED | 07170-03103 | .36 | 1.30 | .15 | 14 | LTD. ACCESS CAM OPERATED | 07177-03003 | .20 | 1.18 | .16 |
| | 14 | LIMITED ACCESS | 07274-01000 | .22 | 1.07 | .16 | - | - | - | - | - | - |
| 5/32" BRIV® Al. Alloy, Brass, Steel | 15 | STANDARD - FLAT | 07150-03004 | .41 | 1.18 | .20 | 15 | STANDARD - RECESSED | 07170-03004 | .41 | 1.20 | .30 |
| | 15 | STANDARD - TAPERED | 07170-03104 | .41 | 1.19 | .20 | 16 | LONG - FLAT | 07150-04004 | .41 | 2.18 | .20 |
| | 16 | LONG - RECESSED | 07170-03204 | .41 | 2.18 | .30 | 16 | LONG CURVED - FLAT | 07150-05004 | .41 | 2.12 | .20 |
| | 16 | LONG CURVED - RECESSED | 07170-03304 | .41 | 2.12 | .30 | - | - | - | - | - | - |
| 5/32" BRIV® Al. Alloy, Brass, Steel | 17 | STANDARD - FLAT | 07150-03005 | .48 | 1.30 | .24 | 17 | STANDARD - RECESSED | 07170-03005 | .48 | 1.32 | .41 |
| | 18 | LONG - FLAT | 07150-04005 | .48 | 2.30 | .24 | 18 | LONG - RECESSED | 07170-03205 | .48 | 2.30 | .41 |
| | 18 | LONG CURVED - FLAT | 07150-05005 | .48 | 2.23 | .24 | 18 | LONG CURVED - RECESSED | 07170-03305 | .48 | 2.23 | .41 |
| 5/32" BRIV® St. Steel only | 19 | STANDARD - FLAT | 07150-03005 | .48 | 1.30 | .24 | 19 | STANDARD - RECESSED | 07170-03005 | .48 | 1.32 | .41 |
| | 20 | LONG - FLAT | 07150-04005 | .48 | 2.30 | .24 | 20 | LONG - RECESSED | 07170-03205 | .48 | 2.30 | .41 |
| | 20 | LONG CURVED - FLAT | 07150-05005 | .48 | 2.23 | .24 | 20 | LONG CURVED - RECESSED | 07170-03305 | .48 | 2.23 | .41 |
| 3/16" BRIV® Al. Alloy, Brass, Steel | 21 | STANDARD - FLAT | 07150-03006 | .56 | 1.18 | .33 | 21 | STANDARD - RECESSED | 07170-03006 | .56 | 1.20 | .47 |
| | 22 | LONG - FLAT | 07150-04006 | .56 | 2.30 | .33 | 22 | LONG - RECESSED | 07170-03206 | .56 | 2.30 | .47 |
| | 22 | LONG CURVED - FLAT | 07150-05006 | .56 | 2.21 | .33 | 22 | LONG CURVED - RECESSED | 07170-03306 | .56 | 2.21 | .47 |
| 3/16" BRIV® St. Steel only | 23 | STANDARD - FLAT | 07150-03006 | .56 | 1.18 | .33 | 23 | STANDARD - RECESSED | 07170-03006 | .56 | 1.20 | .47 |
| | 24 | LONG - FLAT | 07150-04006 | .56 | 2.30 | .33 | 24 | LONG - RECESSED | 07170-03206 | .56 | 2.30 | .47 |
| | 24 | LONG CURVED - FLAT | 07150-05006 | .56 | 2.21 | .33 | 24 | LONG CURVED - RECESSED | 07170-03306 | .56 | 2.21 | .47 |
| 6mm BRIV® Al. Alloy, Steel | 25 | STD. CAM OPERATED | 07170-05600 | .64 | 1.21 | .52 | 25 | STANDARD - FLAT | 07170-05800 | .64 | 1.21 | .52 |
| | 26 | LONG CAM OPERATED | 07170-05700 | .64 | 2.19 | .52 | 26 | LONG - FLAT | 07170-05900 | .64 | 2.19 | .52 |
| 3/32" AVLUG® | 27 | STANDARD - FLAT | 07150-03003 | .36 | 1.30 | .16 | 27 | STANDARD - TAPERED | 07150-03103 | .36 | 1.30 | .16 |
| | 27 | STD. CAM OPERATED - FLAT | 07170-04500 | .36 | 1.30 | .16 | 28 | LONG - FLAT | 07150-04003 | .41 | 2.30 | .16 |
| | 28 | LONG CURVED - FLAT | 07150-05003 | .41 | 2.28 | .16 | - | - | - | - | - | - |
| 1/8" AVLUG® | 29 | STANDARD - FLAT | 07150-03004 | .41 | 1.18 | .20 | 29 | STANDARD - TAPERED | 07170-03104 | .41 | 1.19 | .20 |
| | 29 | STD. CAM OPERATED - FLAT | 07170-04600 | .41 | 1.18 | .20 | 30 | LONG - FLAT | 07150-04004 | .41 | 2.18 | .20 |
| | 30 | LONG CURVED - FLAT | 07150-05004 | .41 | 2.12 | .20 | 30 | LONG CAM OPERATED - FLAT | 07170-05000 | .41 | 2.18 | .20 |
| 2.5mm 4-40 UNC AVSERT® | 31 | STANDARD - FLAT | 07150-03003 | .36 | 1.30 | .16 | - | - | - | - | - | - |
| 3.0mm 6-32 UNC AVSERT® | 32 | STANDARD - FLAT | 07150-03004 | .41 | 1.18 | .20 | 32 | STD. CAM OPERATED - FLAT | 07170-04600 | .41 | 1.18 | .20 |
| 2.5mm AVTRONIC® | 33 | STANDARD - FLAT | 07150-03003 | .36 | 1.30 | .16 | 33 | LTD. ACCESS CAM OPERATED | 07271-08000 | .41 | 1.18 | .16 |
| | 34 | LONG - FLAT | 07150-04003 | .41 | 2.30 | .16 | - | - | - | - | - | - |
| 2.8mm AVTRONIC® | 35 | STANDARD - FLAT | 07271-05600 | .36 | 1.30 | .16 | 36 | LTD. ACCESS CAM OPERATED | 07271-08100 | .40 | 1.18 | .16 |
| | 37 | LONG - FLAT | 07271-05900 | .41 | 2.30 | .16 | - | - | - | - | - | - |
| 2.8mm RIVSCREW® | 38 | STD. CAM OPERATED - HF | 07271-03000 | .41 | 1.18 | .24 | - | - | - | - | - | - |
| 3.0mm RIVSCREW® | 39 | STD. CAM OPERATED - HF | 07271-03000 | .41 | 1.18 | .24 | - | - | - | - | - | - |
| 3.5mm RIVSCREW® | 40 | STD. CAM OPERATED - HF | 07271-03500 | .41 | 1.18 | .24 | - | - | - | - | - | - |
| 4.0mm RIVSCREW® | 41 | STD. CAM OPERATED - HF | 07271-04000 | .41 | 1.18 | .25 | - | - | - | - | - | - |

These nose jaws are suitable for placing Chobert® rivets with a Universal Head Form. When used on the equivalent size of Briv®, the highest possible clench is achieved. Note when using Briv® fasteners, the maximum grip is reduced by approximately 0.015" (0.4mm).

Nose Assemblies

Nose Jaw Selection - Metric

| FASTENER | REF. N ^o | NOSE JAW | | | | | REF. N ^o | NOSE JAW | | | | |
|-------------------------------------|---------------------|--------------------------|---------------------|------------|-------|-------|---------------------|--------------------------|---------------------|------------|-------|-------|
| | | TYPE AND END FORM | PART N ^o | DIMENSIONS | | | | TYPE AND END FORM | PART N ^o | DIMENSIONS | | |
| | | | | 'B' | 'D' | 'E' | | | | 'B' | 'D' | 'E' |
| 3/32" CHOBERT® & GROVIT® | 1 | STANDARD - FLAT | 07150-03003 | 9.14 | 33.02 | 4.06 | 1 | # STANDARD - UNIVERSAL | 07150-03203 | 9.14 | 33.78 | 6.10 |
| | 1 | STD. CAM OPERATED - FLAT | 07170-04500 | 9.14 | 33.02 | 4.06 | 1 | LTD. ACCESS CAM OPERATED | 07177-03003 | 5.08 | 29.97 | 4.06 |
| | 2 | STANDARD - TAPERED | 07170-03103 | 9.14 | 33.02 | 4.06 | 3 | LIMITED ACCESS | 07274-01000 | 5.59 | 27.18 | 4.06 |
| | 4 | LONG - FLAT | 07150-04003 | 10.41 | 58.42 | 4.06 | 4 | LONG CURVED - FLAT | 07150-05003 | 10.41 | 57.91 | 4.06 |
| 1/8" CHOBERT® & GROVIT® | 5 | STANDARD - FLAT | 07150-03004 | 10.41 | 29.97 | 5.08 | 5 | # STANDARD - UNIVERSAL | 07150-03204 | 10.41 | 30.99 | 8.13 |
| | 5 | STANDARD - TAPERED | 07170-03104 | 10.41 | 30.23 | 5.08 | 5 | STD. CAM OPERATED - FLAT | 07170-04600 | 10.41 | 29.97 | 5.08 |
| | 6 | LONG - FLAT | 07150-04004 | 10.41 | 55.37 | 5.08 | 6 | # LONG - UNIVERSAL | 07150-04204 | 10.41 | 56.39 | 7.62 |
| | 6 | LONG CURVED - FLAT | 07150-05004 | 10.41 | 53.85 | 5.08 | 6 | LONG CAM OPERATED - FLAT | 07170-05000 | 10.41 | 55.37 | 5.08 |
| 5/32" CHOBERT® & GROVIT® | 7 | STANDARD - FLAT | 07150-03005 | 12.19 | 33.02 | 6.10 | 7 | # STANDARD - UNIVERSAL | 07150-03205 | 12.19 | 34.29 | 10.41 |
| | 7 | STANDARD - TAPERED | 07150-03105 | 11.18 | 33.02 | 6.10 | 7 | STD. CAM OPERATED - FLAT | 07170-04700 | 12.19 | 33.02 | 6.10 |
| | 8 | LONG - FLAT | 07150-04005 | 12.19 | 58.42 | 6.10 | 8 | # LONG - UNIVERSAL | 07150-04205 | 12.19 | 59.69 | 10.67 |
| | 8 | LONG CURVED - FLAT | 07150-05005 | 12.19 | 56.64 | 6.10 | 8 | LONG CAM OPERATED - FLAT | 07170-05100 | 12.19 | 58.42 | 6.10 |
| 3/16" CHOBERT® & GROVIT® | 9 | STANDARD - FLAT | 07150-03006 | 14.22 | 29.97 | 8.38 | 9 | # STANDARD - UNIVERSAL | 07150-03206 | 14.22 | 31.50 | 11.94 |
| | 9 | STANDARD - TAPERED | 07150-03106 | 14.22 | 29.97 | 8.38 | 9 | STD. CAM OPERATED - FLAT | 07170-04800 | 14.22 | 29.97 | 8.38 |
| | 10 | LONG - FLAT | 07150-04006 | 14.22 | 58.42 | 8.38 | 10 | # LONG - UNIVERSAL | 07150-04206 | 14.22 | 60.71 | 12.19 |
| | 10 | LONG CURVED - FLAT | 07150-05006 | 14.22 | 56.13 | 8.38 | 10 | LONG CAM OPERATED - FLAT | 07170-05200 | 14.22 | 58.42 | 8.38 |
| 1/4" CHOBERT® | 11 | STANDARD - FLAT | 07150-03008 | 16.26 | 29.97 | 9.91 | 11 | STD. CAM OPERATED - FLAT | 07170-04900 | 16.26 | 29.97 | 9.91 |
| | 12 | LONG - FLAT | 07150-04008 | 16.26 | 55.37 | 9.91 | 12 | LONG CAM OPERATED - FLAT | 07170-05300 | 16.26 | 55.37 | 9.91 |
| 3/32" BRIV® Brass only | 13 | STANDARD - TAPERED | 07170-03103 | 9.14 | 33.02 | 3.81 | 14 | LTD. ACCESS CAM OPERATED | 07177-03003 | 5.08 | 29.97 | 4.06 |
| | 14 | LIMITED ACCESS | 07274-01000 | 5.59 | 27.18 | 4.06 | - | - | - | - | - | - |
| 1/8" BRIV® Al. Alloy, Brass, Steel | 15 | STANDARD - FLAT | 07150-03004 | 10.41 | 29.97 | 5.08 | 15 | STANDARD - RECESSED | 07170-03004 | 10.41 | 30.48 | 7.62 |
| | 15 | STANDARD - TAPERED | 07170-03104 | 10.41 | 30.23 | 5.08 | 16 | LONG - FLAT | 07150-04004 | 10.41 | 55.37 | 5.08 |
| | 16 | LONG - RECESSED | 07170-03204 | 10.41 | 55.37 | 7.62 | 16 | LONG CURVED - FLAT | 07150-05004 | 10.41 | 53.85 | 5.08 |
| | 16 | LONG CURVED - RECESSED | 07170-03304 | 10.41 | 53.85 | 7.62 | - | - | - | - | - | - |
| 5/32" BRIV® Al. Alloy, Brass, Steel | 17 | STANDARD - FLAT | 07150-03005 | 12.19 | 33.02 | 6.10 | 17 | STANDARD - RECESSED | 07170-03005 | 12.19 | 33.53 | 10.41 |
| | 18 | LONG - FLAT | 07150-04005 | 12.19 | 58.42 | 6.10 | 18 | LONG - RECESSED | 07170-03205 | 12.19 | 58.42 | 10.41 |
| | 18 | LONG CURVED - FLAT | 07150-05005 | 12.19 | 56.64 | 6.10 | 18 | LONG CURVED - RECESSED | 07170-03305 | 12.19 | 56.64 | 10.41 |
| 5/32" BRIV® St. Steel only | 19 | STANDARD - FLAT | 07150-03005 | 12.19 | 33.02 | 6.10 | 19 | STANDARD - RECESSED | 07170-03005 | 12.19 | 33.53 | 10.41 |
| | 20 | LONG - FLAT | 07150-04005 | 12.19 | 58.42 | 6.10 | 20 | LONG - RECESSED | 07170-03205 | 12.19 | 58.42 | 10.41 |
| | 20 | LONG CURVED - FLAT | 07150-05005 | 12.19 | 56.64 | 6.10 | 20 | LONG CURVED - RECESSED | 07170-03305 | 12.19 | 56.64 | 10.41 |
| 3/16" BRIV® Al. Alloy, Brass, Steel | 21 | STANDARD - FLAT | 07150-03006 | 14.22 | 29.97 | 8.38 | 21 | STANDARD - RECESSED | 07170-03006 | 14.22 | 30.48 | 11.94 |
| | 22 | LONG - FLAT | 07150-04006 | 14.22 | 58.42 | 8.38 | 22 | LONG - RECESSED | 07170-03206 | 14.22 | 58.42 | 11.94 |
| | 22 | LONG CURVED - FLAT | 07150-05006 | 14.22 | 56.13 | 8.38 | 22 | LONG CURVED - RECESSED | 07170-03306 | 14.22 | 56.13 | 11.94 |
| 3/16" BRIV® St. Steel only | 23 | STANDARD - FLAT | 07150-03006 | 14.22 | 29.97 | 8.38 | 23 | STANDARD - RECESSED | 07170-03006 | 14.22 | 30.48 | 11.94 |
| | 24 | LONG - FLAT | 07150-04006 | 14.22 | 58.42 | 8.38 | 24 | LONG - RECESSED | 07170-03206 | 14.22 | 58.42 | 11.94 |
| | 24 | LONG CURVED - FLAT | 07150-05006 | 14.22 | 56.13 | 8.38 | 24 | LONG CURVED - RECESSED | 07170-03306 | 14.22 | 56.13 | 11.94 |
| 6mm BRIV® Al. Alloy, Steel | 25 | STD. CAM OPERATED | 07170-05600 | 16.33 | 30.65 | 13.14 | 25 | STANDARD - FLAT | 07170-05800 | 16.33 | 30.65 | 13.14 |
| | 26 | LONG CAM OPERATED | 07170-05700 | 16.33 | 55.65 | 13.14 | 26 | LONG - FLAT | 07170-05900 | 16.33 | 55.65 | 13.14 |
| 3/32" AVLUG® | 27 | STANDARD - FLAT | 07150-03003 | 9.14 | 33.02 | 4.06 | 27 | STANDARD - TAPERED | 07150-03103 | 9.14 | 33.02 | 4.06 |
| | 27 | STD. CAM OPERATED - FLAT | 07170-04500 | 9.14 | 33.02 | 4.06 | 28 | LONG - FLAT | 07150-04003 | 10.41 | 58.42 | 4.06 |
| | 28 | LONG CURVED - FLAT | 07150-05003 | 10.41 | 57.91 | 4.06 | - | - | - | - | - | - |
| 1/8" AVLUG® | 29 | STANDARD - FLAT | 07150-03004 | 10.41 | 29.97 | 5.08 | 29 | STANDARD - TAPERED | 07170-03104 | 10.41 | 30.23 | 5.08 |
| | 29 | STD. CAM OPERATED - FLAT | 07170-04600 | 10.41 | 29.97 | 5.08 | 30 | LONG - FLAT | 07150-04004 | 10.41 | 55.37 | 5.08 |
| | 30 | LONG CURVED - FLAT | 07150-05004 | 10.41 | 53.85 | 5.08 | 30 | LONG CAM OPERATED - FLAT | 07170-05000 | 10.41 | 55.37 | 5.08 |
| 2.5mm 4-40 UNC AVSERT® | 31 | STANDARD - FLAT | 07150-03003 | 9.14 | 33.02 | 4.06 | - | - | - | - | - | - |
| 3.0mm 6-32 UNC AVSERT® | 32 | STANDARD - FLAT | 07150-03004 | 10.41 | 29.97 | 5.08 | 32 | STD. CAM OPERATED - FLAT | 07170-04600 | 10.41 | 29.97 | 5.08 |
| 2.5mm AVTRONIC® | 33 | STANDARD - FLAT | 07150-03003 | 9.14 | 33.02 | 4.06 | 33 | LTD. ACCESS CAM OPERATED | 07271-08000 | 10.41 | 29.97 | 4.06 |
| | 34 | LONG - FLAT | 07150-04003 | 10.41 | 58.42 | 4.06 | - | - | - | - | - | - |
| 2.8mm AVTRONIC® | 35 | STANDARD - FLAT | 07271-05600 | 9.14 | 33.02 | 4.06 | 36 | LTD. ACCESS CAM OPERATED | 07271-08100 | 10.16 | 29.97 | 4.06 |
| | 37 | LONG - FLAT | 07271-05900 | 10.41 | 58.42 | 4.06 | - | - | - | - | - | - |
| 2.8mm RIVSCREW® | 38 | STD. CAM OPERATED - HF | 07271-03000 | 10.41 | 29.97 | 6.10 | - | - | - | - | - | - |
| 3.0mm RIVSCREW® | 39 | STD. CAM OPERATED - HF | 07271-03000 | 10.41 | 29.97 | 6.10 | - | - | - | - | - | - |
| 3.5mm RIVSCREW® | 40 | STD. CAM OPERATED - HF | 07271-03500 | 10.41 | 29.97 | 6.10 | - | - | - | - | - | - |
| 4.0mm RIVSCREW® | 41 | STD. CAM OPERATED - HF | 07271-04000 | 10.41 | 29.97 | 6.35 | - | - | - | - | - | - |

These nose jaws are suitable for placing Chobert® rivets with a Universal Head Form. When used on the equivalent size of Briv®, the highest possible clench is achieved. Note that when using Briv® fasteners, the maximum grip is reduced by approximately 0.015" (0.4mm).

Nose Assemblies

Mandrels and Mandrel Follower Springs

Mandrels and mandrel follower springs, illustrated on page 11 need to be selected to suit the fastener type and size as well as the size of the hole in the application. Use of the wrong mandrel could increase the risk of breakage and the wear of the mandrel head. Feeding problems could occur if the wrong mandrel follower spring is used.

IMPORTANT

READ THE SAFETY INSTRUCTIONS page 4 carefully.

While a small amount of wear and marking will naturally occur through normal and correct use of mandrels, they must be regularly examined for excessive wear and marking, with particular attention to the head diameter, the tail jaw gripping area of the shank or heavy pitting of the shank and any mandrel distortion. Mandrels which fail during use could forcibly exit the tool. It is the customer's responsibility to ensure that mandrels are replaced before any excessive levels of wear and always before the maximum recommended number of placings. Contact your Avdel representative who will let you know what that figure is by measuring the broach load of your application with our calibrated measuring tool. These tools can also be purchased under part number 07900-09080, supplied with all necessary information for testing.

Chobert® and Grovit® - Imperial

For mandrel or mandrel follower spring selection, follow instructions on page 18.

| FASTENER | REF. N° | HOLE SIZE | STANDARD MANDREL - GREEN | | | | | HOLE SIZE | 1ST OVERSIZE MANDREL - YELLOW | | | | | SPRING PART N° |
|--------------------------|---------|-----------|--------------------------|-----------------|--------|-----------------------|--------|-----------|-------------------------------|-----------------|--------|-----------------------|--------|----------------|
| | | | HEAD Ø | MANDREL PART N° | P MAX. | # S/R MANDREL PART N° | P MAX. | | HEAD Ø | MANDREL PART N° | P MAX. | # S/R MANDREL PART N° | P MAX. | |
| 3/32" CHOBERT® & GROVIT® | 1 | AS REC. | .0725 | 07150-06003 | .166 | 07150-08003 | .071 | +0.015 | .074 | 07150-06303 | .174 | - | - | 07150-06803 |
| | 1 | - | - | - | - | - | - | +0.035 | .076 | - | - | 07150-08103 | .078 | 07150-06803 |
| | 2 | AS REC. | .0725 | 07150-06003 | .166 | 07150-08003 | .071 | +0.015 | .074 | 07150-06303 | .174 | - | - | 07170-06873 |
| | 2 | - | - | - | - | - | - | +0.035 | .076 | - | - | 07150-08103 | .078 | 07170-06873 |
| | 3 | AS REC. | .0725 | 07150-06003 | .166 | 07150-08003 | .071 | +0.015 | .074 | 07150-06303 | .174 | - | - | 07170-06903 |
| | 3 | - | - | - | - | - | - | +0.035 | .076 | - | - | 07150-08103 | .078 | 07170-06903 |
| 1/8" CHOBERT® & GROVIT® | 4 | AS REC. | .0725 | 07150-07003 | .166 | 07150-09003 | .071 | +0.035 | .076 | - | - | 07150-09103 | .078 | 07150-07803 |
| | 5 | AS REC. | .088 | 07150-06004 | .216 | 07150-08004 | .090 | +0.04 | .092 | 07150-06104 | .237 | 07150-08104 | .098 | 07150-06804 |
| 5/32" CHOBERT® & GROVIT® | 6 | AS REC. | .088 | 07150-07004 | .216 | 07150-09004 | .090 | +0.04 | .092 | 07150-07104 | .237 | 07150-09104 | .098 | 07150-07804 |
| | 7 | AS REC. | .107 | 07150-06005 | .244 | 07150-08005 | .100 | +0.08 | .115 | 07150-06105 | .284 | 07150-08105 | .116 | 07170-06875 |
| | 8 | AS REC. | .107 | 07150-07005 | .244 | 07150-09005 | .100 | +0.08 | .115 | 07150-07105 | .284 | 07150-09105 | .116 | 07170-07875 |
| 3/16" CHOBERT® & GROVIT® | 8 | - | - | - | - | - | - | - | - | - | - | - | - | - |
| | 9 | AS REC. | .132 | 07150-06006 | .247 | 07150-08006 | .102 | +0.14 | .146 | 07150-06106 | .320 | 07150-08106 | .130 | 07170-06876 |
| | 9 | - | - | - | - | - | - | - | - | - | - | - | - | - |
| 1/4" CHOBERT® | 10 | AS REC. | .132 | 07150-07006 | .247 | 07150-09006 | .102 | +0.14 | .146 | 07150-07106 | .320 | 07150-09106 | .130 | 07170-07876 |
| | 10 | - | - | - | - | - | - | - | - | - | - | - | - | - |
| 1/4" CHOBERT® | 11 | AS REC. | .184 | 07150-06008 | .268 | 07150-08008 | .110 | +0.12 | .196 | 07150-06108 | .330 | 07150-08108 | .134 | 07150-06808 |
| | 12 | AS REC. | .184 | 07150-07008 | .268 | 07150-09008 | .110 | +0.12 | .196 | 07150-07108 | .330 | 07150-09108 | .134 | 07150-07808 |

| FASTENER | REF. N° | HOLE SIZE | 2ND OVERSIZE MANDREL - BLUE | | | | | HOLE SIZE | 3RD OVERSIZE MANDREL - RED | | | | | SPRING PART N° |
|--------------------------|---------|-----------|-----------------------------|-----------------|--------|-----------------------|--------|-----------|----------------------------|-----------------|--------|-----------------------|--------|----------------|
| | | | HEAD Ø | MANDREL PART N° | P MAX. | # S/R MANDREL PART N° | P MAX. | | HEAD Ø | MANDREL PART N° | P MAX. | # S/R MANDREL PART N° | P MAX. | |
| 3/32" CHOBERT® & GROVIT® | 1 | +0.035 | .076 | 07150-06103 | .185 | - | - | - | - | - | - | - | - | 07150-06803 |
| | 1 | - | - | - | - | - | - | - | - | - | - | - | - | - |
| | 2 | +0.035 | .076 | 07150-06103 | .185 | - | - | - | - | - | - | - | - | 07170-06873 |
| | 2 | - | - | - | - | - | - | - | - | - | - | - | - | - |
| | 3 | +0.035 | .076 | 07150-06103 | .185 | - | - | - | - | - | - | - | - | 07170-06903 |
| | 3 | - | - | - | - | - | - | - | - | - | - | - | - | - |
| 1/8" CHOBERT® & GROVIT® | 4 | +0.035 | .076 | 07150-07103 | .185 | - | - | - | - | - | - | - | - | 07150-07803 |
| | 5 | +0.10 | .098 | 07150-06204 | .268 | 07150-08204 | .110 | +0.14 | .102 | 07150-06304 | .288 | 07150-08304 | .118 | 07150-06804 |
| 5/32" CHOBERT® & GROVIT® | 6 | +0.10 | .098 | 07150-07204 | .268 | 07150-09204 | .110 | +0.14 | .102 | 07150-07304 | .288 | 07150-09304 | .118 | 07150-07804 |
| | 7 | +0.15 | .122 | 07150-06205 | .320 | 07150-08205 | .130 | - | - | - | - | - | - | 07170-06875 |
| | 7 | - | - | - | - | - | - | +0.025 | .132 | 07150-06305 | .372 | 07150-08305 | .150 | 07150-06805 |
| 3/16" CHOBERT® & GROVIT® | 8 | +0.15 | .122 | 07150-07205 | .320 | 07150-09205 | .130 | - | - | - | - | - | - | 07170-07875 |
| | 8 | - | - | - | - | - | - | +0.025 | .132 | 07150-07305 | .372 | 07150-09305 | .150 | 07150-07805 |
| | 8 | - | - | - | - | - | - | - | - | - | - | - | - | - |
| 1/4" CHOBERT® | 9 | - | - | - | - | - | - | - | - | - | - | - | - | - |
| | 9 | +0.024 | .156 | 07150-06206 | .372 | 07150-08206 | .150 | - | - | - | - | - | - | 07150-06806 |
| | 10 | - | - | - | - | - | - | - | - | - | - | - | - | - |
| 1/4" CHOBERT® | 10 | +0.024 | .156 | 07150-07206 | .372 | 07150-09206 | .150 | - | - | - | - | - | - | 07150-07806 |
| | 11 | - | - | - | - | - | - | - | - | - | - | - | - | - |
| | 12 | - | - | - | - | - | - | - | - | - | - | - | - | - |

S/R: Short Reach Mandrel. See page 18-19 for explanation.

Nose Assemblies

Tables below left and right and over the next four pages list part numbers of all mandrels and mandrel follower springs available per fastener or group of fasteners, i.e. for Chobert® and Grovit® on these pages.

While fastener sizes are always shown in their specified units, each table has been produced twice to offer dimensions in imperial units on the left-hand page then in metric units on the right-hand page. These 'Mandrel Selection' tables cross-reference with the 'Nose Jaw Selection' tables on pages 14-15 through the 'Ref. N°' column.

It is the diameter of the head at the end of a mandrel which when pulled through controls the expansion of the fastener body.

While there are different head shapes to suit different types of fasteners (see illustration on page 19), progressive head sizes are needed to reflect manufacturing tolerances on the diameter of the hole in your application so that the fastener always expands sufficiently to fill the hole.

Too large a mandrel head would overstress the mandrel and mandrels which fail during use could forcibly exit the tool.

Selection tables are arranged into four 'mandrel size' sections, ranging from 'standard' to '3rd oversize', each being colour coded as per the end of the mandrel heads themselves.

Chobert® and Grovit® - Metric

| FASTENER | REF. N° | HOLE SIZE | STANDARD MANDREL - GREEN | | | | | HOLE SIZE | 1ST OVERSIZE MANDREL - YELLOW | | | | | SPRING PART N° |
|--------------------------|---------|-----------|--------------------------|-----------------|--------|-----------------------|--------|-----------|-------------------------------|-----------------|--------|-----------------------|--------|----------------|
| | | | HEAD Ø | MANDREL PART N° | P MAX. | # S/R MANDREL PART N° | P MAX. | | HEAD Ø | MANDREL PART N° | P MAX. | # S/R MANDREL PART N° | P MAX. | |
| 3/32" CHOBERT® & GROVIT® | 1 | AS REC. | 1.84 | 07150-06003 | 4.22 | 07150-08003 | 1.80 | +04 | 1.88 | 07150-06303 | 4.42 | - | - | 07150-06803 |
| | 1 | - | - | - | - | - | - | +09 | 1.93 | - | - | 07150-08103 | 1.98 | 07150-06803 |
| | 2 | AS REC. | 1.84 | 07150-06003 | 4.22 | 07150-08003 | 1.80 | +04 | 1.88 | 07150-06303 | 4.42 | - | - | 07170-06873 |
| | 2 | - | - | - | - | - | - | +09 | 1.93 | - | - | 07150-08103 | 1.98 | 07170-06873 |
| | 3 | AS REC. | 1.84 | 07150-06003 | 4.22 | 07150-08003 | 1.80 | +04 | 1.88 | 07150-06303 | 4.42 | - | - | 07170-06903 |
| | 3 | - | - | - | - | - | - | +09 | 1.93 | - | - | 07150-08103 | 1.98 | 07170-06903 |
| 1/8" CHOBERT® & GROVIT® | 4 | AS REC. | 1.84 | 07150-07003 | 4.22 | 07150-09003 | 1.80 | +09 | 1.93 | - | - | 07150-09103 | 1.98 | 07150-07803 |
| | 5 | AS REC. | 2.24 | 07150-06004 | 5.49 | 07150-08004 | 2.29 | +10 | 2.34 | 07150-06104 | 6.02 | 07150-08104 | 2.49 | 07150-06804 |
| 5/32" CHOBERT® & GROVIT® | 6 | AS REC. | 2.24 | 07150-07004 | 5.49 | 07150-09004 | 2.29 | +10 | 2.34 | 07150-07104 | 6.02 | 07150-09104 | 2.49 | 07150-07804 |
| | 7 | AS REC. | 2.72 | 07150-06005 | 6.20 | 07150-08005 | 2.54 | +20 | 2.92 | 07150-06105 | 7.21 | 07150-08105 | 2.95 | 07170-06875 |
| | 7 | - | - | - | - | - | - | - | - | - | - | - | - | - |
| 3/16" CHOBERT® & GROVIT® | 8 | AS REC. | 2.72 | 07150-07005 | 6.20 | 07150-09005 | 2.54 | +20 | 2.92 | 07150-07105 | 7.21 | 07150-09105 | 2.95 | 07170-07875 |
| | 8 | - | - | - | - | - | - | - | - | - | - | - | - | - |
| | 8 | - | - | - | - | - | - | - | - | - | - | - | - | - |
| 1/4" CHOBERT® | 9 | AS REC. | 3.35 | 07150-06006 | 6.27 | 07150-08006 | 2.59 | +35 | 3.71 | 07150-06106 | 8.13 | 07150-08106 | 3.30 | 07170-06876 |
| | 9 | - | - | - | - | - | - | - | - | - | - | - | - | - |
| | 10 | AS REC. | 3.35 | 07150-07006 | 6.27 | 07150-09006 | 2.59 | +35 | 3.71 | 07150-07106 | 8.13 | 07150-09106 | 3.30 | 07170-07876 |
| 1/4" CHOBERT® | 10 | - | - | - | - | - | - | - | - | - | - | - | - | - |
| | 11 | AS REC. | 4.67 | 07150-06008 | 6.81 | 07150-08008 | 2.79 | +30 | 4.98 | 07150-06108 | 8.38 | 07150-08108 | 3.40 | 07150-06808 |
| | 12 | AS REC. | 4.67 | 07150-07008 | 6.81 | 07150-09008 | 2.79 | +30 | 4.98 | 07150-07108 | 8.38 | 07150-09108 | 3.40 | 07150-07808 |

| FASTENER | REF. N° | HOLE SIZE | 2ND OVERSIZE MANDREL - BLUE | | | | | HOLE SIZE | 3RD OVERSIZE MANDREL - RED | | | | | SPRING PART N° |
|--------------------------|---------|-----------|-----------------------------|-----------------|--------|-----------------------|--------|-----------|----------------------------|-----------------|--------|-----------------------|--------|----------------|
| | | | HEAD Ø | MANDREL PART N° | P MAX. | # S/R MANDREL PART N° | P MAX. | | HEAD Ø | MANDREL PART N° | P MAX. | # S/R MANDREL PART N° | P MAX. | |
| 3/32" CHOBERT® & GROVIT® | 1 | +09 | 1.93 | 07150-06103 | 4.70 | - | - | - | - | - | - | - | - | 07150-06803 |
| | 1 | - | - | - | - | - | - | - | - | - | - | - | - | - |
| | 2 | +09 | 1.93 | 07150-06103 | 4.70 | - | - | - | - | - | - | - | - | 07170-06873 |
| | 2 | - | - | - | - | - | - | - | - | - | - | - | - | - |
| | 3 | +09 | 1.93 | 07150-06103 | 4.70 | - | - | - | - | - | - | - | - | 07170-06903 |
| | 3 | - | - | - | - | - | - | - | - | - | - | - | - | - |
| 1/8" CHOBERT® & GROVIT® | 4 | +09 | 1.93 | 07150-07103 | 4.70 | - | - | - | - | - | - | - | - | 07150-07803 |
| | 5 | +25 | 2.49 | 07150-06204 | 6.81 | 07150-08204 | 2.79 | +35 | 2.59 | 07150-06304 | 7.32 | 07150-08304 | 3.00 | 07150-06804 |
| 5/32" CHOBERT® & GROVIT® | 6 | +25 | 2.49 | 07150-07204 | 6.81 | 07150-09204 | 2.79 | +35 | 2.59 | 07150-07304 | 7.32 | 07150-09304 | 3.00 | 07150-07804 |
| | 7 | +38 | 3.10 | 07150-06205 | 8.13 | 07150-08205 | 3.30 | - | - | - | - | - | - | 07170-06875 |
| | 7 | - | - | - | - | - | - | +63 | 3.35 | 07150-06305 | 9.45 | 07150-08305 | 3.81 | 07150-06805 |
| 3/16" CHOBERT® & GROVIT® | 8 | +38 | 3.10 | 07150-07205 | 8.13 | 07150-09205 | 3.30 | - | - | - | - | - | - | 07170-07875 |
| | 8 | - | - | - | - | - | - | +63 | 3.35 | 07150-07305 | 9.45 | 07150-09305 | 3.81 | 07150-07805 |
| | 8 | - | - | - | - | - | - | - | - | - | - | - | - | - |
| 1/4" CHOBERT® | 9 | +60 | 3.96 | 07150-06206 | 9.45 | 07150-08206 | 3.81 | - | - | - | - | - | - | 07150-06806 |
| | 9 | - | - | - | - | - | - | - | - | - | - | - | - | - |
| | 10 | +60 | 3.96 | 07150-07206 | 9.45 | 07150-09206 | 3.81 | - | - | - | - | - | - | 07150-07806 |
| 1/4" CHOBERT® | 10 | - | - | - | - | - | - | - | - | - | - | - | - | - |
| | 11 | - | - | - | - | - | - | - | - | - | - | - | - | - |
| | 12 | - | - | - | - | - | - | - | - | - | - | - | - | - |

S/R: Short Reach Mandrel. See page 18-19 for explanation.

Nose Assemblies

To find the correct part number of a mandrel for a particular application, read the instructions below after you have gathered the following information as per example alongside. Answers for the example are shown in *grey italic*.

| | | |
|--|----------------|--------------------------|
| FASTENER NAME | <i>example</i> | <i>Chobert®</i> |
| FASTENER SIZE | | <i>1/8"</i> |
| DATASHEET | | <i>Series 1125</i> |
| APPLICATION HOLE SIZE | | <i>0.1335"</i> |
| CLEARANCE BEHIND APPLICATION | | <i>Infinite</i> |
| 'REF.N°' FROM NOSE JAW SELECTION TABLE | | <i>5 (standard flat)</i> |

- Subtract the minimum hole size recommended (AS REC.) in the fastener datasheet from the actual application hole size. *-example: 0.005.*
- Turn to the page with the 'Mandrel Selection' table for your fastener, selecting either the imperial or the metric dimensions table (pages 16-20). *-example: page 16.*
- Starting with the 'Standard Mandrel - Green' section, find your fastener size in the left-hand column. *-example 1/8" Chobert® & Grovit®.*
- If you selected a nose jaw which place you fastener, you should now be able to find a line within your fastener section with the same 'Ref No.' as that from the 'Nose Jaw Selection' table. *-example: 5.* This is your line 'Ref. No.' in which you will find both your mandrel and mandrel follower spring part number. This line continues into the second half of the table for the '2nd' and '3rd' oversize mandrels.
- Scan along the line to the 'hole size' columns and select which ever is the nearest or equal to the figure calculated in step one. You may now read the mandrel part number next to the 'hole size'. *-example: 07150-06104*
- For Chobert® and Grovit® only, most mandrels are also available in a 'short reach' version (see illustration on page 19). Short reach mandrels are used to minimise the possibility of the mandrel head contacting an obstruction. This would result in the underside of the fastener head not seating properly on the application surface, causing a lack of clench in the joint.
- Whichever size mandrel you settle on, you will also need to check the 'P' figure against that mandrel is adequate. 'P' is the clearance required for the mandrel head at the back of the application IN ADDITION to the length of the fastener protruding through the application, as shown in the illustration on page 19.
- You may now read the corresponding mandrel follower spring part number in the right-hand column of the table. *-example: 07150-06804.*

In all cases, satisfactory clenching of the joint should be assessed particularly if the size of the hole in your application is very close to the next oversize hole condition, when it will be safe to select the greater size of mandrel to obtain a higher clench. REMEMBER that this will increase the broach load and reduce the mandrel life.

Briv® - Imperial

For mandrel or mandrel follower spring selection, follow instructions above.

| FASTENER | REF. N° | HOLE SIZE | STANDARD MANDREL - GREEN | | | HOLE SIZE | 1ST OVERSIZE MANDREL - YELLOW | | | SPRING PART N° |
|---|---------|-----------|--------------------------|-----------------|--------|-----------|-------------------------------|-----------------|--------|----------------|
| | | | HEAD Ø | MANDREL PART N° | P MAX. | | HEAD Ø | MANDREL PART N° | P MAX. | |
| 3/32" BRIV® Brass only | 13 | AS REC. | .072 | 07150-06013 | .119 | +0.04 | .076 | 07150-06113 | .123 | 07170-06873 |
| | 14 | AS REC. | .072 | 07150-06013 | .119 | +0.04 | .076 | 07150-06113 | .123 | 07170-06903 |
| 1/8" BRIV® Al. Alloy, Brass, Steel | 15 | AS REC. | .092 | 07271-06414 | .120 | +0.05 | .097 | 07271-06514 | .126 | 07150-06814 |
| | 16 | AS REC. | .092 | 07271-07414 | .120 | +0.05 | .097 | 07271-07514 | .126 | 07150-07814 |
| 5/32" BRIV® Al. Alloy, Brass, Steel | 17 | AS REC. | .110 | 07150-06015 | .136 | +0.05 | .115 | 07150-06115 | .142 | 07170-06875 |
| | 18 | AS REC. | .110 | 07150-07015 | .136 | +0.05 | .115 | 07150-07115 | .142 | 07170-07875 |
| 5/32" BRIV® St. Steel only | 19 | AS REC. | .120 | 07170-06805 | .126 | +0.05 | .125 | 07170-06825 | .132 | 07170-06875 |
| | 20 | AS REC. | .120 | 07170-07805 | .126 | +0.05 | .125 | 07170-07825 | .132 | 07170-07875 |
| 3/16" BRIV® Al. Alloy, Brass, Steel | 21 | AS REC. | .141 | 07150-06016 | .157 | +0.05 | .146 | 07150-06116 | .164 | 07170-06876 |
| | 22 | AS REC. | .141 | 07150-07016 | .157 | +0.05 | .146 | 07150-07116 | .164 | 07170-07876 |
| 3/16" BRIV® St. Steel only | 23 | AS REC. | .153 | 07170-06806 | .150 | +0.05 | .158 | 07170-06826 | .156 | 07170-06876 |
| | 24 | AS REC. | .153 | 07170-07806 | .150 | +0.05 | .158 | 07170-07826 | .156 | 07170-07876 |
| 6mm BRIV® Al. Alloy, Steel | 25 | AS REC | .179 | 07150-06018 | .165 | +0.05 | .184 | 07150-06118 | .171 | 07150-06846 |
| | 26 | AS REC | .179 | 07150-07018 | .165 | +0.05 | .184 | 07150-07118 | .171 | 07150-07846 |

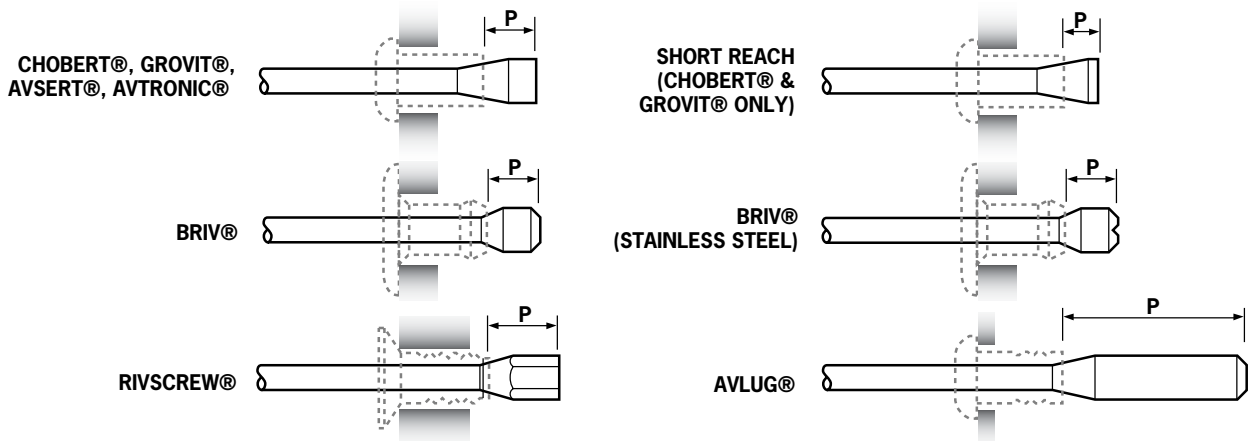
| FASTENER | REF. N° | HOLE SIZE | 2ND OVERSIZE MANDREL - BLUE | | | HOLE SIZE | 3RD OVERSIZE MANDREL - RED | | | SPRING PART N° |
|---|---------|-----------|-----------------------------|-----------------|--------|-----------|----------------------------|-----------------|--------|----------------|
| | | | HEAD Ø | MANDREL PART N° | P MAX. | | HEAD Ø | MANDREL PART N° | P MAX. | |
| 3/32" BRIV® Brass only | 13 | +0.08 | .079 | 07150-06213 | .126 | - | - | - | - | 07170-06873 |
| | 14 | +0.08 | .079 | 07150-06213 | .126 | - | - | - | - | 07170-06903 |
| 1/8" BRIV® Al. Alloy, Brass, Steel | 15 | +0.10 | .102 | 07271-06614 | .133 | - | - | - | - | 07150-06814 |
| | 16 | +0.10 | .102 | 07271-07614 | .133 | - | - | - | - | 07150-07814 |
| 5/32" BRIV® Al. Alloy, Brass, Steel | 17 | +0.10 | .120 | 07150-06215 | .149 | - | - | - | - | 07170-06875 |
| | 18 | +0.10 | .120 | 07150-07215 | .149 | - | - | - | - | 07170-07875 |
| 5/32" BRIV® St. Steel only | 19 | - | - | - | - | - | - | - | - | - |
| | 20 | - | - | - | - | - | - | - | - | - |
| 3/16" BRIV® Al. Alloy, Brass, Steel | 21 | +0.10 | .151 | 07150-06216 | .170 | +0.12 | .153 | 07150-06316 | .173 | 07170-06876 |
| | 22 | +0.10 | .151 | 07150-07216 | .170 | +0.12 | .153 | 07150-07316 | .173 | 07170-07876 |
| 3/16" BRIV® St. Steel only | 23 | - | - | - | - | - | - | - | - | - |
| | 24 | - | - | - | - | - | - | - | - | - |
| 6mm BRIV® Al. Alloy, Steel | 25 | +0.10 | .189 | 07150-06218 | .177 | - | - | - | - | 07150-06846 |
| | 26 | +0.10 | .189 | 07150-07218 | .177 | - | - | - | - | 07150-07846 |

Nose Assemblies

Mandrel Head Types and 'P' Length

Mandrels for stainless steel Briv® are easily identifiable by a 'V' cut in the end of the mandrel heads.

When using curved nose jaws, mandrels have to be bent by hand to match the curvature of the nose jaw, thus ensuring good feed of fasteners.



Briv® - Metric

| FASTENER | REF. N° | HOLE SIZE | STANDARD MANDREL - GREEN | | | HOLE SIZE | 1ST OVERSIZE MANDREL - YELLOW | | | SPRING PART N° |
|---|---------|-----------|--------------------------|-----------------|--------|-----------|-------------------------------|-----------------|--------|----------------|
| | | | HEAD Ø | MANDREL PART N° | P MAX. | | HEAD Ø | MANDREL PART N° | P MAX. | |
| 2.4mm BRIV® Brass only | 13 | AS REC. | 1.83 | 07150-06013 | 3.02 | +10 | 1.93 | 07150-06113 | 3.12 | 07170-06873 |
| | 14 | AS REC. | 1.83 | 07150-06013 | 3.02 | +10 | 1.93 | 07150-06113 | 3.12 | 07170-06903 |
| 3.2mm BRIV® Al. Alloy, Brass, Steel | 15 | AS REC. | 2.34 | 07271-06414 | 3.05 | +13 | 2.46 | 07271-06514 | 3.20 | 07150-06814 |
| | 16 | AS REC. | 2.34 | 07271-07414 | 3.05 | +13 | 2.46 | 07271-07514 | 3.20 | 07150-07814 |
| 4.0mm BRIV® Al. Alloy, Brass, Steel | 17 | AS REC. | 2.79 | 07150-06015 | 3.45 | +13 | 2.92 | 07150-06115 | 3.61 | 07170-06875 |
| | 18 | AS REC. | 2.79 | 07150-07015 | 3.45 | +13 | 2.92 | 07150-07115 | 3.61 | 07170-07875 |
| 4.0mm BRIV® St. Steel only | 19 | AS REC. | 3.05 | 07170-06805 | 3.20 | +13 | 3.18 | 07170-06825 | 3.35 | 07170-06875 |
| | 20 | AS REC. | 3.05 | 07170-07805 | 3.20 | +13 | 3.18 | 07170-07825 | 3.35 | 07170-07875 |
| 4.8mm BRIV® Al. Alloy, Brass, Steel | 21 | AS REC. | 3.58 | 07150-06016 | 3.99 | +13 | 3.71 | 07150-06116 | 4.17 | 07170-06876 |
| | 22 | AS REC. | 3.58 | 07150-07016 | 3.99 | +13 | 3.71 | 07150-07116 | 4.17 | 07170-07876 |
| 4.8mm BRIV® St. Steel only | 23 | AS REC. | 3.89 | 07170-06806 | 3.81 | +13 | 4.01 | 07170-06826 | 3.96 | 07170-06876 |
| | 24 | AS REC. | 3.89 | 07170-07806 | 3.81 | +13 | 4.01 | 07170-07826 | 3.96 | 07170-07876 |
| 6mm BRIV® Al. Alloy, Steel | 25 | AS REC | 4.54 | 07150-06018 | 4.18 | +13 | 4.67 | 07150-06118 | 4.34 | 07150-06846 |
| | 26 | AS REC | 4.54 | 07150-07018 | 4.18 | +13 | 4.67 | 07150-07118 | 4.34 | 07150-07846 |

| FASTENER | REF. N° | HOLE SIZE | 2ND OVERSIZE MANDREL - BLUE | | | HOLE SIZE | 3RD OVERSIZE MANDREL - RED | | | SPRING PART N° |
|---|---------|-----------|-----------------------------|-----------------|--------|-----------|----------------------------|-----------------|--------|----------------|
| | | | HEAD Ø | MANDREL PART N° | P MAX. | | HEAD Ø | MANDREL PART N° | P MAX. | |
| 2.4mm BRIV® Brass only | 13 | +20 | 2.01 | 07150-06213 | 3.20 | - | - | - | - | 07170-06873 |
| | 14 | +20 | 2.01 | 07150-06213 | 3.20 | - | - | - | - | 07170-06903 |
| 3.2mm BRIV® Al. Alloy, Brass, Steel | 15 | +25 | 2.59 | 07271-06614 | 3.38 | - | - | - | - | 07150-06814 |
| | 16 | +25 | 2.59 | 07271-07614 | 3.38 | - | - | - | - | 07150-07814 |
| 4.0mm BRIV® Al. Alloy, Brass, Steel | 17 | +25 | 3.05 | 07150-06215 | 3.78 | - | - | - | - | 07170-06875 |
| | 18 | +25 | 3.05 | 07150-07215 | 3.78 | - | - | - | - | 07170-07875 |
| 4.0mm BRIV® St. Steel only | 19 | - | - | - | - | - | - | - | - | - |
| | 20 | - | - | - | - | - | - | - | - | - |
| 4.8mm BRIV® Al. Alloy, Brass, Steel | 21 | +25 | 3.84 | 07150-06216 | 4.32 | +30 | 3.85 | 07150-06316 | 4.39 | 07170-06876 |
| | 22 | +25 | 3.84 | 07150-07216 | 4.32 | +30 | 3.85 | 07150-07316 | 4.39 | 07170-07876 |
| 4.8mm BRIV® St. Steel only | 23 | - | - | - | - | - | - | - | - | - |
| | 24 | - | - | - | - | - | - | - | - | - |
| 6mm BRIV® Al. Alloy, Steel | 25 | +25 | 4.79 | 07150-06218 | 4.49 | - | - | - | - | 07150-06846 |
| | 26 | +25 | 4.79 | 07150-07218 | 4.49 | - | - | - | - | 07150-07846 |

Nose Assemblies

Avlug®, Avsert®, Avtronic® and Rivscrew® - Imperial and Metric

For mandrel or mandrel follower spring selection, follow instructions on page 18.

| FASTENER | REF. N° | HOLE SIZE | STANDARD MANDREL - GREEN | | | HOLE SIZE | 1ST OVERSIZE MANDREL - YELLOW | | | SPRING PART N° |
|-------------------------|---------|-----------|--------------------------|-----------------|--------|-----------|-------------------------------|-----------------|--------|----------------|
| | | | HEAD Ø | MANDREL PART N° | P MAX. | | HEAD Ø | MANDREL PART N° | P MAX. | |
| 3/32" AVLUG® | 27 | AS REC. | .076 | 07150-06603 | .353 | +.005 | .081 | 07150-06703 | .478 | 07150-06803 |
| | 28 | AS REC. | .076 | 07150-07603 | .353 | +.003 | .079 | 07150-07703 | .368 | 07150-07803 |
| 1/8" AVLUG® | 29 | AS REC. | .098 | 07150-06604 | .593 | - | - | - | - | 07150-06804 |
| | 30 | AS REC. | .098 | 07150-07604 | .593 | - | - | - | - | 07150-07804 |
| 2.5mm, 4-40 UNC AVSERT® | 31 | AS REC. | .0725 | 07150-06003 | .145 | - | - | - | - | 07150-06803 |
| 3.0mm, 6-32 UNC AVSERT® | 32 | AS REC. | .088 | 07150-06004 | .185 | - | - | - | - | 07150-06804 |
| 2.5mm AVTRONIC® | 33 | AS REC. | .070 | 07170-06025 | .140 | +.003 | .073 | 07170-06125 | .140 | 07150-06803 |
| | 34 | AS REC. | .070 | 07170-07025 | .140 | +.003 | .073 | 07170-07125 | .140 | 07150-07803 |
| 2.8mm AVTRONIC® | 35 | AS REC. | .079 | 07170-06028 | .150 | +.003 | .082 | 07170-06128 | .150 | 07170-06528 |
| | 36 | AS REC. | .079 | 07170-06028 | .150 | +.003 | .082 | 07170-06128 | .150 | 07170-06873 |
| | 37 | AS REC. | .079 | 07170-07028 | .150 | +.003 | .082 | 07170-07128 | .150 | 07170-07528 |
| 2.8mm RIVSCREW® | 38 | AS REC. | * .065 | 07271-06030 | .127 | - | - | - | - | 07271-06630 |
| 3.0mm RIVSCREW® | 39 | AS REC. | * .065 | 07271-06030 | .127 | - | - | - | - | 07271-06630 |
| 3.5mm RIVSCREW® | 40 | AS REC. | * .0825 | 07271-06035 | .132 | - | - | - | - | 07271-06635 |
| 4.0mm RIVSCREW® | 41 | AS REC. | * .103 | 07271-06140 | .150 | - | - | - | - | 07271-06640 |

* These Dimensions are Across Flats

| FASTENER | REF. N° | HOLE SIZE | 2ND OVERSIZE MANDREL - BLUE | | | HOLE SIZE | 3RD OVERSIZE MANDREL - RED | | | SPRING PART N° |
|-------------------------|---------|-----------|-----------------------------|-----------------|--------|-----------|----------------------------|-----------------|--------|----------------|
| | | | HEAD Ø | MANDREL PART N° | P MAX. | | HEAD Ø | MANDREL PART N° | P MAX. | |
| 3/32" AVLUG® | 27 | - | - | - | - | - | - | - | - | - |
| | 28 | - | - | - | - | - | - | - | - | - |
| 1/8" AVLUG® | 29 | - | - | - | - | - | - | - | - | - |
| | 30 | - | - | - | - | - | - | - | - | - |
| 2.5mm, 4-40 UNC AVSERT® | 31 | - | - | - | - | - | - | - | - | - |
| 3.0mm, 6-32 UNC AVSERT® | 32 | - | - | - | - | - | - | - | - | - |
| 2.5mm AVTRONIC® | 33 | +.006 | .076 | 07170-06225 | .140 | - | - | - | - | 07150-06803 |
| | 34 | +.006 | .076 | 07170-07225 | .140 | - | - | - | - | 07150-07803 |
| 2.8mm AVTRONIC® | 35 | +.006 | .085 | 07170-06228 | .150 | - | - | - | - | 07170-06528 |
| | 36 | +.006 | .085 | 07170-06228 | .150 | - | - | - | - | 07170-06873 |
| | 37 | +.006 | .085 | 07170-07228 | .150 | - | - | - | - | 07170-07528 |
| 2.8mm RIVSCREW® | 38 | - | - | - | - | - | - | - | - | - |
| 3.0mm RIVSCREW® | 39 | - | - | - | - | - | - | - | - | - |
| 3.5mm RIVSCREW® | 40 | - | - | - | - | - | - | - | - | - |
| 4.0mm RIVSCREW® | 41 | - | - | - | - | - | - | - | - | - |

| FASTENER | LINE N° | HOLE SIZE | STANDARD MANDREL - GREEN | | | HOLE SIZE | 1ST OVERSIZE MANDREL - YELLOW | | | SPRING PART N° |
|-------------------------|---------|-----------|--------------------------|-----------------|--------|-----------|-------------------------------|-----------------|--------|----------------|
| | | | HEAD Ø | MANDREL PART N° | P MAX. | | HEAD Ø | MANDREL PART N° | P MAX. | |
| 3/32" AVLUG® | 27 | AS REC. | 1.93 | 07150-06603 | 8.97 | +.10 | 2.06 | 07150-06703 | 12.14 | 07150-06803 |
| | 28 | AS REC. | 1.93 | 07150-07603 | 8.97 | +.10 | 2.01 | 07150-07703 | 9.35 | 07150-07803 |
| 1/8" AVLUG® | 29 | AS REC. | 2.49 | 07150-06604 | 15.06 | - | - | - | - | 07150-06804 |
| | 30 | AS REC. | 2.49 | 07150-07604 | 15.06 | - | - | - | - | 07150-07804 |
| 2.5mm, 4-40 UNC AVSERT® | 31 | AS REC. | 1.84 | 07150-06003 | 3.68 | - | - | - | - | 07150-06803 |
| 3.0mm, 6-32 UNC AVSERT® | 32 | AS REC. | 2.24 | 07150-06004 | 4.70 | - | - | - | - | 07150-06804 |
| 2.5mm AVTRONIC® | 33 | AS REC. | 1.78 | 07170-06025 | 3.56 | +.07 | 1.85 | 07170-06125 | 3.56 | 07150-06803 |
| | 34 | AS REC. | 1.78 | 07170-07025 | 3.56 | +.07 | 1.85 | 07170-07125 | 3.56 | 07150-07803 |
| 2.8mm AVTRONIC® | 35 | AS REC. | 2.01 | 07170-06028 | 3.81 | +.07 | 2.08 | 07170-06128 | 3.81 | 07170-06528 |
| | 36 | AS REC. | 2.01 | 07170-06028 | 3.81 | +.07 | 2.08 | 07170-06128 | 3.81 | 07170-06873 |
| | 37 | AS REC. | 2.01 | 07170-07028 | 3.81 | +.07 | 2.08 | 07170-07128 | 3.81 | 07170-07528 |
| 2.8mm RIVSCREW® | 38 | AS REC. | * 1.65 | 07271-06030 | 3.23 | - | - | - | - | 07271-06630 |
| 3.0mm RIVSCREW® | 39 | AS REC. | * 1.65 | 07271-06030 | 3.23 | - | - | - | - | 07271-06630 |
| 3.5mm RIVSCREW® | 40 | AS REC. | * 2.10 | 07271-06035 | 3.35 | - | - | - | - | 07271-06635 |
| 4.0mm RIVSCREW® | 41 | AS REC. | * 2.62 | 07271-06140 | 3.81 | - | - | - | - | 07271-06640 |

* These Dimensions are Across Flats

| FASTENER | LINE N° | HOLE SIZE | 2ND OVERSIZE MANDREL - BLUE | | | HOLE SIZE | 3RD OVERSIZE MANDREL - RED | | | SPRING PART N° |
|-------------------------|---------|-----------|-----------------------------|-----------------|--------|-----------|----------------------------|-----------------|--------|----------------|
| | | | HEAD Ø | MANDREL PART N° | P MAX. | | HEAD Ø | MANDREL PART N° | P MAX. | |
| 3/32" AVLUG® | 27 | - | - | - | - | - | - | - | - | - |
| | 28 | - | - | - | - | - | - | - | - | - |
| 1/8" AVLUG® | 29 | - | - | - | - | - | - | - | - | - |
| | 30 | - | - | - | - | - | - | - | - | - |
| 2.5mm, 4-40 UNC AVSERT® | 31 | - | - | - | - | - | - | - | - | - |
| 3.0mm, 6-32 UNC AVSERT® | 32 | - | - | - | - | - | - | - | - | - |
| 2.5mm AVTRONIC® | 33 | +15 | 1.93 | 07170-06225 | 3.56 | - | - | - | - | 07150-06803 |
| | 34 | +15 | 1.93 | 07170-07225 | 3.56 | - | - | - | - | 07150-07803 |
| 2.8mm AVTRONIC® | 35 | +15 | 2.16 | 07170-06228 | 3.81 | - | - | - | - | 07170-06528 |
| | 36 | +15 | 2.16 | 07170-06228 | 3.81 | - | - | - | - | 07170-06873 |
| | 37 | +15 | 2.16 | 07170-07228 | 3.81 | - | - | - | - | 07170-07528 |
| 2.8mm RIVSCREW® | 38 | - | - | - | - | - | - | - | - | - |
| 3.0mm RIVSCREW® | 39 | - | - | - | - | - | - | - | - | - |
| 3.5mm RIVSCREW® | 40 | - | - | - | - | - | - | - | - | - |
| 4.0mm RIVSCREW® | 41 | - | - | - | - | - | - | - | - | - |