

Nose Assemblies

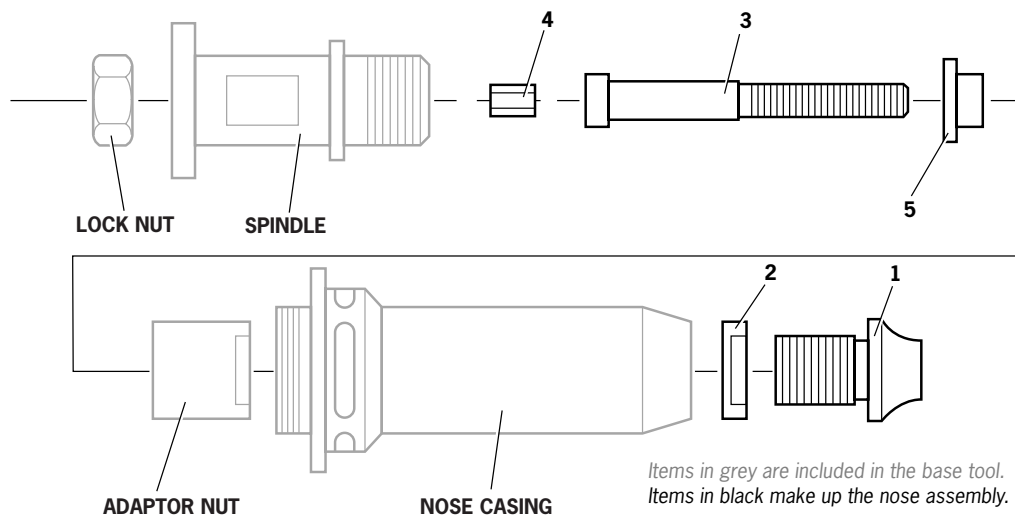
It is essential that the correct nose assembly is fitted prior to operating the tool. If you know the code for your complete, original tool, or the details of the fastening systems which are to be used, you will be able to order a new complete nose assembly using the selection tables on page 9.

Fitting Instructions

IMPORTANT
The air supply must be disconnected when fitting or removing nose assemblies unless specifically instructed otherwise.

Item numbers in **bold** refer to illustration below:

- If still fitted, remove the nose casing and the adaptor nut.
- Insert Drive Shaft **4** into spindle.
- Fit Drive Screw **3** onto Drive Shaft **4**.
- Insert Reducing Sleeve **5** (if specified) into the adaptor nut.
- Screw the adaptor nut onto the spindle.
- Hold the spindle with a spanner* and tighten the adaptor nut clockwise.
- While holding the adaptor nut with the spanner*, tighten the lock nut anti-clockwise.
- Screw on the nose casing and Nose Tip **1** with the nose tip Lock Nut **2**.
- The reverse operation is carried out for equipment removal.



- With the tool still disconnected from the air supply, screw an insert onto the drive screw manually. Position Nose Tip **1** on the nose casing and lock it with Lock Nut **2** so that the insert lines up with the end of Drive Screw **3**.
- Lock the nose tip lock nut by turning clockwise with a spanner*.
- Remove the insert from drive screw.

IMPORTANT
Do not press against the drive screw when tool is connected to the air supply with no insert in as the drive screw will start to run axially.

Servicing Instructions

Nose assemblies should be serviced at weekly intervals (see page 10)..

- Remove the complete nose assembly using the reverse procedure to the 'Fitting Instructions'.
- Any worn or damaged parts should be replaced with new parts.
- Particularly check wear on the Drive Screw **3**.
- Assemble according to fitting instructions (see above).

* Refers to items included in the 74201 Service Kit. For complete list see page 11.

Nose Assemblies

Selection

Nose tips vary in shape according to the insert type. Each nose assembly represents a unique assembly of components which can be ordered individually. All nose assemblies also include a nose tip Lock Nut **2** (part number **07555-00901**). Component numbers refer to the illustration on the opposite page. We recommend holding some stock of internal components as items will need regular replacement. Read the Nose Assemblies Servicing Instructions opposite carefully.

INSERT SIZE	COMPLETE TOOL	NOSE ASSEMBLY	COMPONENT NUMBERS			
			1	3	4	5
LARGE FLANGE INSERTS (9698,FS58,9408,9418,9498) + STANDARD NUTSERT® (9500) + SQUARESERT® (GK08) + EUROSERT® (GJ08)						
M3	74201-00083	07555-09883	07555-09003	07555-09003	07555-01003	07555-09103
M4	74201-00084	07555-09884	07555-09004	07555-09004	07555-01004	07555-09104
M5*	74201-00085	07555-09885	07555-09005	07555-09005	07555-01005	07555-09105
M5**	74201-00485	07555-09185	07555-09015	07555-09005	07555-01005	07555-09105
M6	74201-00086	07555-09886	07555-09006	07555-09006	07555-01006	07555-09106
M8	74201-00088	07555-09888	07555-09008	07555-09008	07555-01008	07555-09108
4 UNC	74201-00054	07555-09854	07555-00854	07555-09054	07555-00754	07555-09154
6 UNC	74201-00056	07555-09856	07555-00856	07555-09056	07555-00756	07555-09156
8 UNC	74201-00058	07555-09858	07555-00858	07555-09058	07555-00758	07555-09158
10 UNC	74201-00050	07555-09850	07555-00850	07555-09050	07555-00750	07555-09150
1/4 UNC	74201-00048	07555-09848	07555-00848	07555-09048	07555-00748	07555-09148
5/16 UNC	74201-00040	07555-09840	07555-00840	07555-09040	07555-00740	07555-09140
10 UNF	74201-00070	07555-09870	07555-00850	07555-09070	07555-00750	07555-09150
1/4 UNF	74201-00068	07555-09868	07555-00848	07555-09068	07555-00748	07555-09148
5/16 UNF	74201-00060	07555-09860	07555-00840	07555-09060	07555-00740	07555-09140
3/16 BSW	74201-00016	07555-09816	07555-00850	07555-09016	07555-00750	07555-09150
1/4 BSW	74201-00018	07555-09818	07555-00848	07555-09018	07555-00748	07555-09148
THIN SHEET NUTSERT® (9468, FS38, 9650, 9488)						
M3	74201-00183	07555-09983	07555-00993	07555-09003	07555-01003	07555-09103
M4	74201-00184	07555-09984	07555-00994	07555-09004	07555-01004	07555-09104
M5	74201-00185	07555-09985	07555-00995	07555-09005	07555-01005	07555-09105
M6	74201-00186	07555-09986	07555-00996	07555-09006	07555-01006	07555-09106
M8	74201-00188	07555-09988	07555-00998	07555-09008	07555-01008	07555-09108
4 UNC	74201-00154	07555-09954	07555-00954	07555-09054	07555-00754	07555-09154
6 UNC	74201-00156	07555-09956	07555-00956	07555-09056	07555-00756	07555-09156
8 UNC	74201-00158	07555-09958	07555-00958	07555-09058	07555-00758	07555-09158
10 UNC	74201-00150	07555-09950	07555-00950	07555-09050	07555-00750	07555-09150
1/4 UNC	74201-00148	07555-09948	07555-00948	07555-09048	07555-00748	07555-09148
10 UNF	74201-00170	07555-09970	07555-00950	07555-09070	07555-00750	07555-09150
1/4 UNF	74201-00168	07555-09968	07555-00948	07555-09068	07555-00748	07555-09148
5/16 UNF	74201-00160	07555-09960	07555-00940	07555-09060	07555-00740	07555-09140
3/16 BSW	74201-00116	07555-09916	07555-00950	07555-09016	07555-00750	07555-09150
1/4 BSW	74201-00118	07555-09918	07555-00948	07555-09018	07555-00748	07555-09148
0BA	74201-00130	07555-09930	07555-00996	07555-09030	07555-01006	07555-09106
2BA	74201-00132	07555-09932	07555-00950	07555-09032	07555-00750	07555-09150
4BA	74201-00134	07555-09934	07555-00934	07555-09034	07555-00756	07555-09134
SUPERSERT® - OPEN AND CLOSED END (FB)						
M3	74201-00283	07555-09583	07555-07103	07555-09003	07555-01003	07555-09103
M4	74201-00284	07555-09584	07555-07104	07555-09004	07555-01004	07555-09104
M5	74201-00285	07555-09585	07555-07105	07555-09005	07555-01005	07555-09105
M6	74201-00286	07555-09586	07555-07106	07555-09006	07555-01006	07555-09106
M8	74201-00288	07555-09588	07555-07108	07555-09008	07555-01008	07555-09108
8 UNC	74201-00258	07555-09558	07555-07158	07555-09058	07555-00758	07555-09158
10 UNC	74201-00250	07555-09550	07555-07150	07555-09050	07555-00750	07555-09150
1/4 UNC	74201-00248	07555-09548	07555-07148	07555-09048	07555-00748	07555-09148
8 UNF	74201-00278	07555-09578	07555-07158	07555-09078	07555-00758	07555-09158
10 UNF	74201-00270	07555-09570	07555-07150	07555-09070	07555-00750	07555-09150
1/4 UNF	74201-00268	07555-09568	07555-07148	07555-09068	07555-00748	07555-09148
HEXSERT® (9688)						
M3	74201-00683	07555-09283	07555-08103	07555-09003	07555-01003	07555-09103
M4	74201-00684	07555-09284	07555-08104	07555-09004	07555-01004	07555-09104
M5	74201-00685	07555-09285	07555-08105	07555-09005	07555-01005	07555-09105
M6	74201-00686	07555-09286	07555-08106	07555-09006	07555-01006	07555-09106
M8	74201-00688	07555-09288	07555-00998	07555-09008	07555-01008	07555-09108

- * Places all inserts listed in this section except M5 large flange Thin Sheet Nutsert®
- ** Places M5 large flange Thin Sheet Nutsert® 09698-00516 ONLY