

# Nose Assemblies

It is essential that the correct nose assembly is fitted prior to operating the tool. By knowing the details of the fastener to be placed, you will be able to order a new complete nose assembly using the selection tables on page 9.

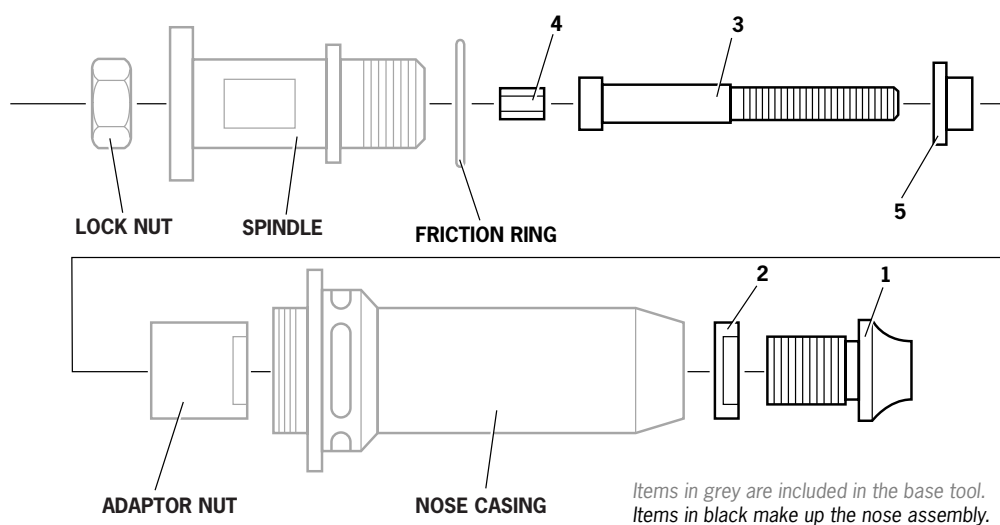
## Fitting Instructions

### IMPORTANT

**The air supply must be disconnected when fitting or removing nose assemblies unless specifically instructed otherwise.**

Item numbers in **bold** refer to illustration below:

- If still fitted remove the nose casing and the adaptor nut.
  - Insert drive shaft **4** into spindle.
  - Fit drive screw **3** onto drive shaft **4**.
  - Insert reducing sleeve **5** (if specified) into the adaptor nut.
  - Screw the adaptor nut onto the spindle.
  - Hold the spindle with a spanner\* and tighten the adaptor nut clockwise.
  - While holding the adaptor nut with the spanner\*, tighten the lock nut anti-clockwise.
  - Screw on the nose casing and nose tip **1** with the nose tip lock nut.
  - The reverse operation is carried out for equipment removal.
- 
- With tool still disconnected from air supply, screw one insert onto drive screw manually - making sure the insert is flush with the end of drive screw.
  - Set nose tip in exact position and lock nose tip nut clockwise with a spanner\*.
  - Remove the insert from drive screw.



## Servicing Instructions

Nose assemblies should be serviced at weekly intervals.

- Remove the complete nose assembly using the reverse procedure to the 'Fitting Instructions'.
- Any worn or damaged part should be replaced by a new part.
- Particularly check wear on drive screw.
- Assemble according to fitting instructions.

\* Refers to items included in the 74200 service kit. For complete list see page 11.

# Nose Assemblies

Nose tips vary in shape according to the insert type. Each nose assembly represents a unique assembly of components which can be ordered individually. All nose assemblies also include a nose tip locknut 2 (**part number 07555-00901**). Component numbers refer to the illustration on the opposite page. We recommend some stock as items will need regular replacement. Read the Nose Assemblies servicing instructions opposite carefully.

INSERT SIZE	COMPLETE TOOL	NOSE ASSEMBLY	1	3	4	5
<b>LARGE FLANGE INSERTS (9698,FS58,9408,9418,9498) + STANDARD NUTSERT® (9500) + SQUARESERT® (GK08) + EUROSERT® (GJ08)</b>						
M3	74200-00083	07555-09883	07555-00903	07555-09003	07555-01003	07555-09103
M4	74200-00084	07555-09884	07555-00904	07555-09004	07555-01004	07555-09104
M5*	74200-00085	07555-09885	07555-00905	07555-09005	07555-01005	07555-09105
M5**	74200-00485	07555-09185	07555-00915	07555-09005	07555-01005	07555-09105
M6	74200-00086	07555-09886	07555-00906	07555-09006	07555-01006	07555-09106
M8	74200-00088	07555-09888	07555-00908	07555-09008	07555-01008	07555-09108
M10	74200-00080	07555-09880	07555-00910	07555-09010	07555-01010	-
M12	74200-00082	74200-09882 †	07555-00912	07555-09012	07555-01012	-
4 UNC	74200-00054	07555-09854	07555-00854	07555-09054	07555-00754	07555-09154
6 UNC	74200-00056	07555-09856	07555-00856	07555-09056	07555-00756	07555-09156
8 UNC	74200-00058	07555-09858	07555-00858	07555-09058	07555-00758	07555-09158
10 UNC	74200-00050	07555-09850	07555-00850	07555-09050	07555-00750	07555-09150
1/4 UNC	74200-00048	07555-09848	07555-00848	07555-09048	07555-00748	07555-09148
5/16 UNC	74200-00040	07555-09840	07555-00840	07555-09040	07555-00740	07555-09140
3/8 UNC	74200-00042	07555-09842	07555-00842	07555-09042	07555-00742	-
10 UNF	74200-00070	07555-09870	07555-00850	07555-09070	07555-00750	07555-09150
1/4 UNF	74200-00068	07555-09868	07555-00848	07555-09068	07555-00748	07555-09148
5/16 UNF	74200-00060	07555-09860	07555-00840	07555-09060	07555-00740	07555-09140
3/8 UNF	74200-00062	07555-09862	07555-00842	07555-09062	07555-00742	-
3/16 BSW	74200-00016	07555-09816	07555-00850	07555-09016	07555-00750	07555-09150
1/4 BSW	74200-00018	07555-09818	07555-00848	07555-09018	07555-00748	07555-09148
5/16 BSW	74200-00010	07555-09810	07555-00840	07555-09019	07555-00740	07555-09140
<b>THIN SHEET NUTSERT® (9468, FS38, 9650, 9488 )</b>						
M3	74200-00183	07555-09983	07555-00993	07555-09003	07555-01003	07555-09103
M4	74200-00184	07555-09984	07555-00994	07555-09004	07555-01004	07555-09104
M5	74200-00185	07555-09985	07555-00995	07555-09005	07555-01005	07555-09105
M6	74200-00186	07555-09986	07555-00996	07555-09006	07555-01006	07555-09106
M8	74200-00188	07555-09988	07555-00998	07555-09008	07555-01008	07555-09108
M10	74200-00180	07555-09980	07555-00999	07555-09010	07555-01010	-
M12	74200-00182	74200-09982 †	07555-00992	07555-09012	07555-01012	-
4 UNC	74200-00154	07555-09954	07555-00954	07555-09054	07555-00754	07555-09154
6 UNC	74200-00156	07555-09956	07555-00956	07555-09056	07555-00756	07555-09156
8 UNC	74200-00158	07555-09958	07555-00958	07555-09058	07555-00758	07555-09158
10 UNC	74200-00150	07555-09950	07555-00950	07555-09050	07555-00750	07555-09150
1/4 UNC	74200-00148	07555-09948	07555-00948	07555-09048	07555-00748	07555-09148
5/16 UNC	74200-00140	07555-09940	07555-00940	07555-09040	07555-00740	07555-09140
10 UNF	74200-00170	07555-09970	07555-00950	07555-09070	07555-00750	07555-09150
1/4 UNF	74200-00168	07555-09968	07555-00948	07555-09068	07555-00748	07555-09148
5/16 UNF	74200-00160	07555-09960	07555-00940	07555-09060	07555-00740	07555-09140
3/16 BSW	74200-00116	07555-09916	07555-00950	07555-09016	07555-00750	07555-09150
1/4 BSW	74200-00118	07555-09918	07555-00948	07555-09018	07555-00748	07555-09148
OBA	74200-00130	07555-09930	07555-00996	07555-09030	07555-01006	07555-09106
2BA	74200-00132	07555-09932	07555-00950	07555-09032	07555-00750	07555-09150
4BA	74200-00134	07555-09934	07555-00934	07555-09034	07555-00756	07555-09134
<b>SUPERSERT® - OPEN AND CLOSED END ( FB )</b>						
M3	74200-00283	07555-09583	07555-07103	07555-09003	07555-01003	07555-09103
M4	74200-00284	07555-09584	07555-07104	07555-09004	07555-01004	07555-09104
M5	74200-00285	07555-09585	07555-07105	07555-09005	07555-01005	07555-09105
M6	74200-00286	07555-09586	07555-07106	07555-09006	07555-01006	07555-09106
M8	74200-00288	07555-09588	07555-07108	07555-09008	07555-01008	07555-09108
8 UNC	74200-00258	07555-09558	07555-07158	07555-09058	07555-00758	07555-09158
10 UNC	74200-00250	07555-09550	07555-07150	07555-09050	07555-00750	07555-09150
1/4 UNC	74200-00248	07555-09548	07555-07148	07555-09048	07555-00748	07555-09148
8 UNF	74200-00278	07555-09578	07555-07158	07555-09078	07555-00758	07555-09158
10 UNF	74200-00270	07555-09570	07555-07150	07555-09070	07555-00750	07555-09150
1/4 UNF	74200-00268	07555-09568	07555-07148	07555-09068	07555-00748	07555-09148
<b>HEXSERT® ( 9688 )</b>						
M3	74200-00683	07555-09283	07555-08103	07555-09003	07555-01003	07555-09103
M4	74200-00684	07555-09284	07555-08104	07555-09004	07555-01004	07555-09104
M5	74200-00685	07555-09285	07555-08105	07555-09005	07555-01005	07555-09105
M6	74200-00686	07555-09286	07555-08106	07555-09006	07555-01006	07555-09106
M8	74200-00688	07555-09288	07555-00998	07555-09008	07555-01008	07555-09108

\* Places all inserts listed in this section except M5 large flange Thin Sheet Nutsert®

\*\* Places M5 large flange Thin Sheet Nutsert® 09698-00516 ONLY

† These nose assemblies include an adaptor nut part number 74200-12119 to replace the one on the tool.