

# Instruction Manual



## **T30 Installation Tool**

Hydro-Electric Power Tool



# Contents

---

<b>Safety</b>	4	<b>Servicing the Tool</b>	
<b>Specifications</b>		Daily / Weekly	12
Intent of Use	5	Every 1,200 Working Hours (at least once a year)	12
Tool Specification	5	Service Tools	12
Tool Dimensions	5	Hydraulic Oil General Safety Data	12
<b>Putting into Service</b>		<b>Fault Diagnosis</b>	
Principle of Operation	6	Symptom, Possible Cause & Remedy	13-14
Preparation for Use	6		
Hydraulic Hose Kits	6		
Operating Instructions	7		
<b>Maintenance</b>			
Dismantling Instructions	8		
Assembling the Tool	8		
To Bleed the Tool	9		
<b>General Assembly of T30 Installation Tool</b>			
73412-02000	10		
<b>Parts List for T30 Installation Tool</b>			
73412-02000	11		

## Warranty

The ninety day warranty herein expressed shall be the exclusive warranty on items manufactured by seller and shall be in the place and stead of any other warranty, expressed or implied, including but not limited to the implied warranties of merchantability and fitness for a particular purpose.

Seller shall not be liable for any loss or damage resulting from delays or non-fulfilment or orders owing to strikes, fires, accidents, transportation companies or for any reason or reasons beyond the control of seller or its suppliers.

All warranty claims must be submitted to the seller in writing, within 90 days from date of shipment, and no returns will be accepted without written permission.

Other provisions hereof notwithstanding, seller shall not be liable for any loss of business profits or any incidental or consequential damages incurred by Buyer or any third person in connection with the items or use thereof, however caused.

## Tool Warranty

Seller expressly disclaims any warranty express or implied, as to the condition, design, operation, merchantability or fitness for use of any tool, or part(s) thereof not manufactured by seller. The only warranties made with respect to such tool or part(s) thereof are those made by the manufacturer thereof and seller agrees to cooperate with buyer in enforcing such warranties when such action is necessary. Seller agrees to repair or replace F.O.B. seller's plant, any tool or part(s) thereof manufactured by it and proved to seller to be defective due to faulty workmanship or material.

# Safety

---

**This instruction manual must be read with particular attention to the following safety rules, by any person installing, operating, or servicing this tool.**

- 1 Do not use outside the design intent.
- 2 Do not use equipment with this tool/machine other than that recommended by Avdel UK Limited.
- 3 Any modification undertaken by the customer to the tool/machine shall be the customer's entire responsibility.
- 4 Always disconnect the tool from the HydraPac before attempting to adjust, remove or fit the nose assembly.
- 5 Do not operate a tool/machine that is directed towards any person(s).
- 6 Always adopt a firm footing or a stable position before operating the tool/machine.
- 7 If cycling the tool without the nose assembly, care must be taken to avoid contact with the pintail ejector pin and to not trap the fingers in between the anvil retainer (T304) and the collet adaptor (T307).
- 8 Ear protection must be worn by the operator and others in the vicinity as noise levels exceed the permitted maximum. For values see technical specifications on page 5.
- 9 Do not fit flexible hoses rated at less than 10,000 psi (69 mPa) working pressure.
- 10 The operating pressure shall not exceed 8,000 psi (55.2 mPa).
- 11 Care shall be taken to ensure that spent pintails are not allowed to create a hazard.
- 12 When using the tool, the operator and others in the vicinity are recommended to wear safety glasses.
- 13 Take care to avoid entanglement of loose clothes, ties, long hair, cleaning rags etc. in the moving parts of the tool.
- 14 The tool should be kept clean and dry for the best possible grip.
- 15 When carrying the tool from place to place keep hands away from the trigger to avoid inadvertent start up.
- 16 The machine must be maintained in a safe working condition at all times and examined at regular intervals for damage and function by trained competent personnel. Any dismantling procedure shall be undertaken only by personnel trained in Avdel® procedures. Do not dismantle the machine without prior reference to the maintenance instructions. Contact Avdel® with your training requirements.
- 17 The machine shall at all times be operated in accordance with relevant Health & Safety legislation. In the UK the "Health & Safety at Work etc Act 1974" applies. Any question regarding the correct operation of the machine must be directed to Avdel®.

## CAUTIONS

**AVDEL RECOMMENDS THAT ONLY HYDRAPAC UNITS BE USED TO DRIVE INSTALLATION TOOLS, AS OTHER MAKES OF HYDRAULIC POWER UNITS MAY NOT OPERATE AT THE SAFE DESIGNED WORKING PRESSURES.**

**ENSURE THAT THERE IS ADEQUATE CLEARANCE FOR THE TOOL OPERATOR'S HANDS BEFORE PROCEEDING.**

**DO NOT ABUSE THE TOOL BY DROPPING OR USING IT AS A HAMMER.**

**KEEP DIRT AND FOREIGN MATTER OUT OF THE HYDRAULIC SYSTEMS OF THE TOOLS AS THIS WILL CAUSE THE TOOL AND HYDRAPAC TO MALFUNCTION**

# Specifications

## Intent of Use

The T30 Installation Tool is basically a Piston and Cylinder Assembly. When coupled Hydraulically and Electrically to a compatible Hydraulic Power Source and the relevant Nose Assembly is attached, it is then used to install 1/2" to 3/4" Avdelok® and 5/8" Avbolt® in Industrial Environments.

Refer to the table below for the list of applicable fasteners and associated nose equipment.

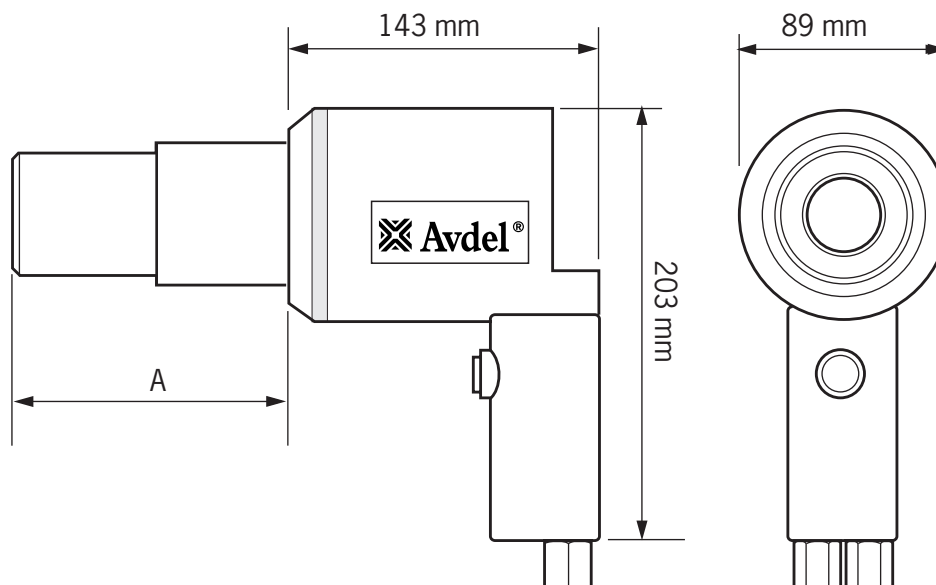
Refer to the datasheets listed in the table for the relevant nose assembly instructions.

FASTENER		NOSE ASSEMBLY			NOSE ASSEMBLY DATASHEET
TYPE	SIZE	PART N <sup>o</sup>	HAT REF.	DIM. 'A'	PART N <sup>o</sup>
LD Avdelok®	1/2"	73412-03100	N32	110mm	07900-00919
	5/8"	73412-03200	N31	113mm	07900-00919
	3/4"	73412-03300	N30	131mm	07900-00919
Avbolt®	5/8"	73412-03400	N37	113mm	07900-00905

## Tool Specification

<b>Length</b>	143 mm	5.6 in
<b>Body Diameter</b>	89 mm	3.5 in
<b>Height</b>	203 mm	7.99 in
<b>Weight</b>	8 kg	17.6 lbs
<b>Stroke</b>	41 mm	1.6 in
<b>Pull Force</b>	175kN	39340 lbf
<b>Pull pressure</b>	55.2 mPa	8000 PSI
<b>Return Pressure</b>	20.7 mPa	3000 PSI
<b>Hydraulic Oil</b>	ISO VG 46 OR EQUIVALENT	
<b>Fastener Range</b>	1/2" to 3/4" Avdelok® and 5/8" Avbolt®	
<b>Noise Level</b>	126.2 dB(A)	
<b>Sound Power</b>	100.9 dB(A)	
<b>Vibration</b>	8.6 m/sec <sup>3</sup>	

## Tool Dimensions



# Putting Into Service

**IMPORTANT**  
Read the safety rules on page 4 carefully

## Principle of Operation

When both hoses and control cord are connected to the HydraPac, the pull and return cycles of the tool are controlled by depressing and releasing the trigger switch located in the handle respectively.

When the switch is depressed the solenoid valve located in the HydraPac is energised and directs the pressurised oil flow to the pull side of the piston in the tool. This also allows the oil in the return side of the tool to return to the tank. The piston/collet assembly now moves towards the rear of the tool allowing the cushion to push the follower and jaws forward. If a Avdelok® pin has been inserted in the nose for assembly, the jaw set will clamp onto the pintail and assembly will commence.

The cycle of installation will first clamp the joint to be fastened and then as the anvil continues to move forward the collar will be swaged into the locking grooves of the pin. At the end of the swaging cycle the anvil will come hard up against the joint and as movement continues the pintail will be broken off.

The trigger switch must be released immediately after pin break occurs. Releasing the trigger switch will cause the solenoid to de-energise and reverse the flow of pressurised oil.

Pressurised oil will now flow into the return side of the installation tool with the oil in the pull side returning to the tank.

The forward movement of the piston/collet assembly firstly ejects the installed fastener from the anvil and as the forward movement continues, the jaw release mechanism will cause the jaws to open and release the broken off pintail, which will then be ejected.

When the piston returns to the fully forward position the pressure build up in the system will cause the HydraPac to go into idle mode. This keeps the installation tool in the forward position. Once the pintail has been ejected from the nose, the tool is ready for the next installation.

Please note that with all electric HydraPacs there is a built in "Sleep Mode" which in effect means that the electric motor will automatically switch off if the trigger switch is not operated for approximately 25 seconds. The HydraPac will automatically start up on depression of the tool trigger switch. (The diesel HydraPac does not have a "Sleep Mode".)

## Preparation for Use

- Attach the correct nose assembly to the tool as per instructions in the relevant nose assembly data sheet.
- Ensure the HydraPac is not running.
- Connect hoses and the control cord to the HydraPac, the tool is supplied with a 0.7m hose length. Additional hydraulic hose lengths are available to order separately as required. Refer to the table below for the available lengths and associated part numbers.
- Start the HydraPac. Depress and release the trigger switch a few times to almost the full stroke of the tool to circulate hydraulic fluid. Observe action of tool. Check for fluid leaks and ensure that in the idler mode the piston is in the fully forward position.

HYDRAULIC HOSE KITS	
PART NUMBER	HOSE LENGTH
07005-10014	6 METRE
07005-10034	10 METRE
07005-10035	15 METRE

# Putting Into Service

## Operating Instructions

---

### To install a Avdelok® Fastener

- Check work and remove excessive gap. (Gap is the space between components of the Joint. Gap is excessive if not enough pintail sticks through the collar for the nose assembly jaws to grab onto.)
- Put Avdelok® pin into hole.
- Slide Avdelok® collar over pin. (The bevelled end of the collar must be towards the nose assembly and tool.)
- Push nose assembly onto pin until the nose assembly anvil stops against the collar. Tool and nose assembly must be held at right angles (90°) to the work.
- Depress tool trigger switch to start installation cycle.
- When the forward motion of the nose assembly anvil stops and the pintail breaks off, release the switch. The tool will go into its return stroke and push off the installed fastener. At the end of the return stroke the jaws will release the expended pintail which can be removed by tilting the tool down.
- Once the expended pintail has been ejected, the tool and nose assembly is ready for the next installation cycle.

### CAUTION

**DO NOT ATTEMPT TO BREAK OFF A PINTAIL WITHOUT THE INSTALLATION OF A COLLAR AS THIS WILL CAUSE THE UNSECURED PORTION OF THE AVDELOK® PIN TO EJECT FROM THE NOSE AT A HIGH SPEED AND FORCE.**

# Maintenance

## Dismantling Instructions

---

### IMPORTANT

**Be sure the HydraPac is turned off before removing tool or nose.**

- Uncouple the two hydraulic hoses and disconnect the control cord.
- Unscrew and remove the anvil by hand.
- Unscrew the collet and remove the inner assembly by hand.
- Loosen the Grub Screw **14** and Pad **13** using a 4 mm Allen Key.
- Unscrew the Anvil Retainer **4**.
- Place a tray under tool to catch the oil.
- If a hand pump (73010-00001) is available, connect to female coupling and slowly pump Piston **10** out of Cylinder **15**.
- Otherwise clamp the Piston **10** in a soft jawed vice and tap the Cylinder **15** backwards with a soft mallet.
- Remove the Nylon/Brass Plug **2** by inserting a sharp object (eg. a small screwdriver) into the keyway and levering out the plug.
- Unscrew the Collet Adaptor **1** the Nylon Plug will shear.
- Remove the Gland **7**.
- Inspect and replace seals if necessary with Service Kit **25**.

## Assembling the Tool

---

Examine and replace all worn parts. Fit new 'O' Rings and Back-up Rings (Service Kit **25**).

- Apply hydraulic oil to all 'O' rings, back-up rings and contact surfaces before fitting.
- Fit new Back-up Ring **8** and 'O' Ring **9** to the Gland **7**.
- Fit Back-up Ring **11** and 'O' Ring **12** to Piston **10**.
- Install the Piston **10** into the Cylinder **15**.
- Install the Gland **7**.
- Install the Anvil Retainer **4**.
- Re-clamp the Grubscrew **14** using a 4 mm Allen Key.
- Refit the Collet Adaptor **1** by hand.
- Align the hole with the Keyway.
- Insert the Nylon/Brass Plug **2**.
- Bleed the Tool.

Item numbers in **bold** refer to the general assembly drawing and parts list on pages 10-11.



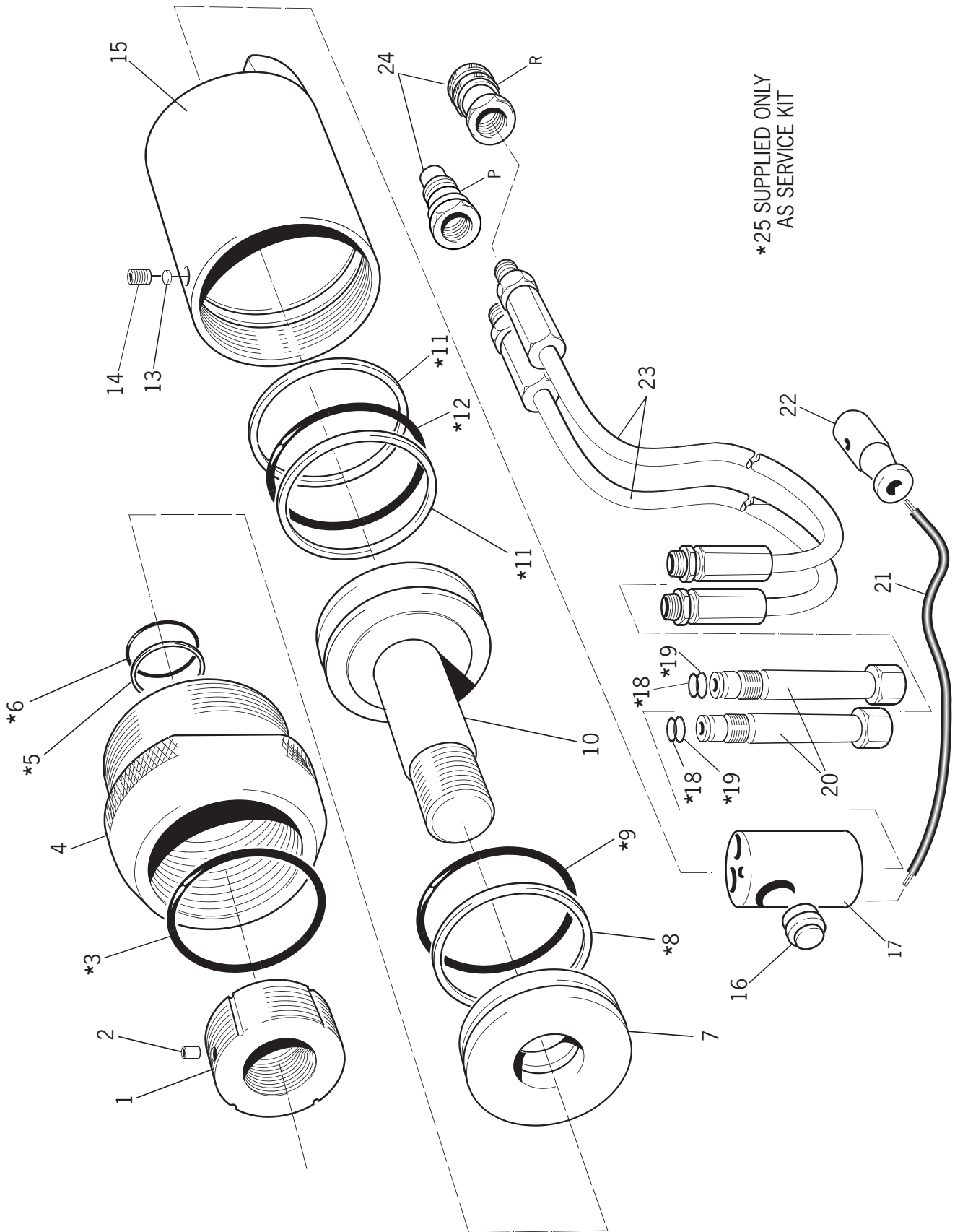
# Maintenance

## To Bleed the Tool

---

- Couple the short Tool Hoses directly onto a HydraPac or compatible Hydraulic Power Source.  
*Note: Do not use long extension Hoses as these will prevent the air from escaping into the HydraPac.*
- Plug in a HydraPac Test Trigger.
- Position the Tool so that the Piston Rod side faces vertically up.
- Cycle a few times.
- Reverse the vertical position and cycle again.

# General Assembly for T30 Installation Tool 73412-02000



# Parts List for T30 Installation Tool 73412-02000

T30 INSTALLATION TOOL PARTS LIST				
ITEM	PART N°	DESCRIPTION	QTY	SERVICE KIT
1	T307	COLLET ADAPTOR	1	
2	MS18	NYLON/BRASS PLUG	1	
3	R228	'O' RING	1	*
4	T304	ANVIL RETAINER	1	
5	B216	BACK-UP RING	1	*
6	R216	'O' RING	1	*
7	T303	GLAND	1	
8	B231	BACK-UP RING	1	*
9	R231	'O' RING	1	*
10	T302	PISTON	1	
11	B332	BACK-UP RING	2	*
12	R332	'O' RING	1	*
13	M509	PAD	1	
14	GS20	GRUBSCREW	1	
15	T301	CYLINDER	1	
16	I111142	TRIGGER SWITCH	1	
17	T306	HANDLE	1	
18	R011	'O' RING	2	*
19	B011	BACK-UP RING	2	*
20	T105	HANDLE STEM	2	
21	LC16	CONTROL CORD (65cm)	1	
22	LC112	MALE PLUG	1	
23	HS02	HYDRAULIC HOSE	2	
24	HS01	QUICK COUPLER SET	1	
25	SK30	SERVICE KIT	1	*

\* 'O' Rings and Back-up Rings only supplied in Service Kit SK30

# Servicing the Tool

## Daily

---

- Check for oil leaks.
- Check the stroke of tool.
- Check for worn anvil indicated by score marks on the installed collar. This can also be confirmed by referring to the installed data in the fastener catalogue. Excessive wear can cause the anvil to rupture.
- Check function of pull pressure safety valve.

## Weekly

---

- Dismantle and clean the nose assembly especially the jaws.
- Check for oil leaks.

## Every 1200 working hours (at least once a year)

---

The tool should be completely dismantled and worn components replaced including 'O' rings and back-up rings.

## Service Tools

---

- Open Ended Flat Spanners - 17, 19, 24 mm
- Allen Keys - 4 mm, 6 mm

## Hydraulic Oil General Safety Data

---

### First Aid

#### SKIN:

Under normal conditions skin irritation will not occur, contaminated skin should however be washed thoroughly with soap and water. Launder contaminated clothing.

#### ORAL:

If swallowed and person is conscious give water or milk. Do not induce vomiting unless on advice of medical personnel. Take person to nearest medical centre.

#### EYES:

Flush immediately with water for several minutes

#### DISPOSAL:

Remove all spills with inert absorbent material. Ventilate spill area. Place contaminated materials in a disposable container and dispose in a manner consistent with local regulations.

### Fire

FLASH POINT: 200°C.

Extinguish with either dry chemical, foam or carbon dioxide. Do not enter confined space without self contained breathing apparatus.

### Handling

Use barrier cream or oil resistant gloves.

### Storage

Undercover and consistent with local regulations for inflammable material.

# Fault Diagnosis

Symptom	Possible Cause	Remedy	Page Ref
Tool fails to operate	Inoperative HydraPac	Check power supply to HydraPac	
	Loose or disconnected control cord	Check for loose or broken wires	
	Defective switch assembly	Replace switch assembly	
	Faulty hydraulic hose couplings	Replace faulty couplings	
Tool leaks hydraulic oil	Depending on what leaks occur, defective or worn 'O' rings, loose hydraulic hose connections at tool	Check and replace 'O' rings and back-up rings, or tighten hydraulic hose	
Hydraulic oil overheats	Restriction in hydraulic line	Check couplings and replace if necessary	
<b>1</b>			
Tool operates erratically and fails to install fastener properly	Low or erratic hydraulic pressure supply	See HydraPac instruction manual	
	Defective or excessively worn piston, 'O' ring and back-up rings and back-up rings in tool	Replace 'O' ring and back-up rings	
	Excessive wear or scoring of sliding surface of tool parts	Check and replace defective parts	
<b>2</b>			
Pull grooves on fastener pintail stripped during pull stroke	Operator not pushing nose completely onto fastener pintail before operating tool	Instruct operator in proper installation methods	
	Incorrect fastener length	Use correct length fastener	
	Worn or damaged jaw segments	Check and replace jaw set	
	Metal chips accumulated in pull grooves of jaw segments	Clean jaw segments	
	Excessive sheet gap	Eliminate excessive gap	
Collar of Hydraloc fastener not completely swaged	Improper tool operation	See 2	
	Worn anvil in nose	Check and replace anvil	
Tool "hang up" on swaged collar	Improper tool operation	See 1	
	Hydrapac in idler mode	Switch HydraPac off and on and restart by depressing trigger switch	
Pintail of fastener fails to break	Pull grooves on fastener stripped	See 2	
	Improper tool operation	Instruct operator in correct tool operation	

continued overleaf

# Fault Diagnosis

---

<b>Symptom</b>	<b>Possible Cause</b>	<b>Remedy</b>	<b>Page Ref</b>
Jaw segments do not maintain proper position in collet	Improper operation of jaw follower	Check internal parts of the collet for wear i.e. jaws, follower, cushion and end cap. Clean before reassembling	
Hydraulic couplers leak oil	Defective or worn 'O' ring in coupler body	Replace 'O' ring and back-up ring	
Pintail fails to release	Incorrect assembly of Nose	Refer to nose assembly table on page 5	

---

# Declaration of Conformity

We, Avdel UK Limited, Watchmead Industrial Estate, Welwyn Garden City, Herts, AL7 1LY  
declare under our sole responsibility that the product:

**Model: 73412-02000**

Serial No.

to which this declaration relates is in conformity with the following standards:

EN ISO 12100 - parts 1 & 2	
BS EN ISO 8662 - part 6	BS EN ISO 11202
BS EN ISO 3744	BS EN 982
ISO EN 792 part 13 - 2000	BS EN 983

following the provisions of the Machine Directive 98/37/EC



A. Seewraj - Product Engineering Manager - Automation Tools

Date of issue



**This box contains a power tool which is in  
conformity with Machines Directive  
98/37/EC. The 'Declaration of Conformity' is  
contained within.**



An Acument™ Global Technologies Company

**AUSTRALIA**

**Acument Australia Pty Ltd.**

891 Wellington Road  
Rowville, Victoria 3178  
Tel: +61 3 9765 6400  
Fax: +61 3 9765 6445  
Email: info@acument.com.au

**CANADA**

**Avdel Canada, a Division of Acument Canada Limited.**

87 Disco Road  
Rexdale  
Ontario M9W 1M3  
Tel: +1 416 679 0622  
Fax: +1 416 679 0678  
Email: infoAvdel-Canada@acument.com

**CHINA**

**Acument China Ltd.**

RM 1708, 17/F., Nanyang Plaza,  
57 Hung To Rd., Kwun Tong  
Hong Kong  
Tel: +852 2950 0631  
Fax: +852 2950 0022  
Email: infochina@acument.com

**FRANCE**

**Avdel France S.A.S.**

33 bis, rue des Ardennes  
BP4  
75921 Paris Cedex 19  
Tel: +33 (0) 1 4040 8000  
Fax: +33 (0) 1 4208 2450  
Email: AvdelFrance@acument.com

**GERMANY**

**Avdel Deutschland GmbH**

Klusriede 24  
30851 Langenhagen  
Tel: +49 (0) 511 7288 0  
Fax: +49 (0) 511 7288 133  
Email: AvdelDeutschland@acument.com

**ITALY**

**Avdel Italia S.r.l.**

Viale Lombardia 51/53  
20047 Brugherio (MI)  
Tel: +39 039 289911  
Fax: +39 039 2873079  
Email: vendite@acument.com

**JAPAN**

**Acument Japan Kabushiki Kaisha**

Center Minami SKY,  
3-1 Chigasaki-Chuo, Tsuzuki-ku,  
Yokohama-city, Kanagawa Prefecture  
Japan 224-0032  
Tel: +81 45 947 1200  
Fax: +81 45 947 1205  
Email: info@acument.co.jp

**SINGAPORE**

**Acument Asia Pacific (Pte) Ltd.**

#05-03/06 Techlink  
31 Kaki Bukit Road 3  
Singapore, 417818  
Tel: +65 6840 7431  
Fax: +65 6840 7409  
Email: Tlim@acument.com

**SOUTH KOREA**

**Acument Korea Ltd.**

212-4, Suyang-Ri,  
Silchon-Eup, Kwangju-City,  
Kyunggi-Do, Korea, 464-874  
Tel: +82 31 798 6340  
Fax: +82 31 798 6342  
Email: info@acumentkorea.com

**SPAIN**

**Avdel Spain S.A.**

C/ Puerto de la Morcuera, 14  
Poligono Industrial Prado Overa  
Ctra. de Toledo, km 7,8  
28919 Leganés (Madrid)  
Tel: +34 (0) 91 3416767  
Fax: +34 (0) 91 3416740  
Email: ventas@acument.com

**UNITED KINGDOM**

**Avdel UK Limited**

Pacific House  
2 Swiftfields  
Watchmead Industrial Estate  
Welwyn Garden City  
Hertfordshire  
AL7 1LY  
Tel: +44 (0) 1707 292000  
Fax: +44 (0) 1707 292199  
Email: enquiries@acument.com

**USA**

**Avdel USA LLC**

614 NC Highway 200 South  
Stanfield,  
North Carolina 28163  
Tel: +1 704 888-7100  
Fax: +1 704 888-0258  
Email: infoAvdel-USA@acument.com

© 2008 Acument Intellectual Properties, LLC June 08.

Manual No.	Issue	Change Note No.	Date
07900-00821	B	07/044	02/07
	B2	07/103	03/07
	B3	08/131	06/08