

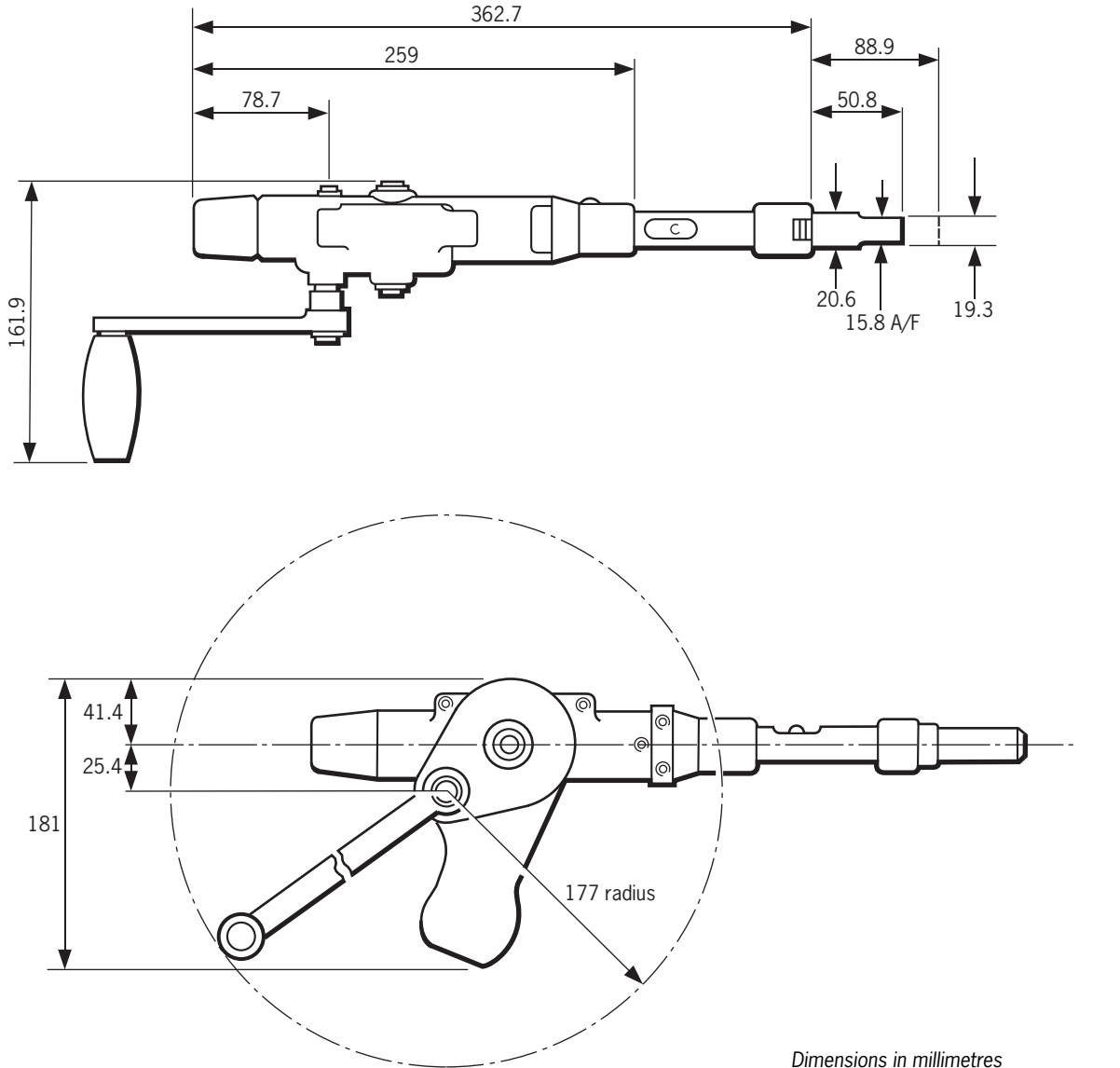


An Acument™ Global Technologies Company

7210 Pull Tool

For placing 4.8mm (3/16") and 6.4mm (1/4") Avdelok®

Tool Dimensions



Dimensions in millimetres

Tool Specification

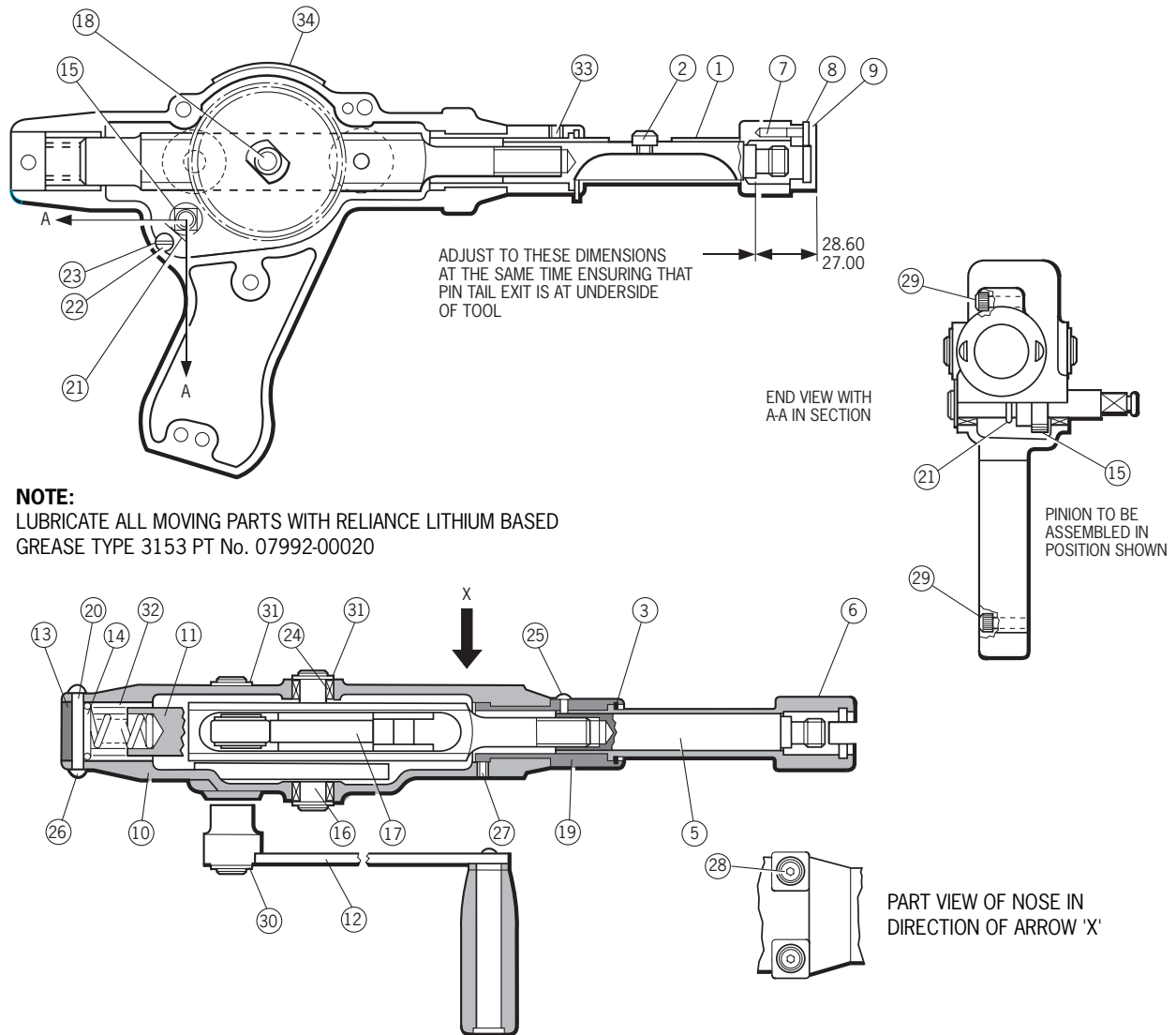
Power Source	Manual
Weight	2.26 kg
Stroke	12.7mm

Nose Assemblies

Capacity Nominal Diameter	4.8mm (3/16")	6.4mm (1/4")
Capacity Code	06	08
Nose Assembly - Vertical flats	07200-02500	07200-02600
Nose Assembly - Horizontal flats	07200-02700	07200-02800

7210 Pull Tool

For placing 4.8mm (3/16") and 6.4mm (1/4") Avdelok®



NOTE:
LUBRICATE ALL MOVING PARTS WITH RELIANCE LITHIUM BASED
GREASE TYPE 3153 PT No. 07992-00020

Item No.	Part No.	Description	No Off	Item No.	Part No.	Description	No Off
1	07210-00800	STRAIGHT ADAPTOR ASSEMBLY	1	19	07210-00215	NOSE ADAPTOR	1
2	07210-00804	CENTRE SPINDLE GUIDE SCREW	1	20	07210-00214	SPECIAL NUT	1
3	07200-00612	RETAINING RING	1	21	07210-00210	RATCHET SPRING	1
				22	07001-00028	4 B.A. ROUND HEAD SCREW	1
5	07210-00801	EXTENSION FOR CENTRE SPINDLE	1	23	07002-00009	4 B.A. WASHER	1
6	07210-00802	GUIDE SLEEVE	1	24	07007-00011	NEEDLE BEARING	4
7	07200-00606	LATCH SPRING	1	25	07210-00216	SPECIAL BUTTON HEAD SCREW	1
8	07200-00609	LATCH	1	26	07001-00298	10-32 UNF. SOCKET BUTTON HEAD SCREW X 3/8 L.G.	1
9	07007-00007	SPRING PIN	1	27	07001-00026	GRUB SCREW 2 B.A. X 5/16"	1
10	07210-00300	BODY CASTINGS M/C ASSEMBLY	1	28	07001-00025	CAP SCREW 2 B.A. X 7/8"	2
11	07210-00400	CENTRE SPINDLE ASSEMBLY	1	29	07001-00024	CAP SCREW 2 B.A. X 5/8"	4
12	07210-00600	HANDLE ASSEMBLY	1	30	07004-00017	CIRCLIP	1
13	07210-00201	END PLUG	1	31	07004-00016	CIRCLIP	3
14	07210-00202	SPRING	1	32	07007-00010	OILITE BUSH	1
15	07210-00203	14 TOOTH PINION	1	33	07001-00022	GRUB SCREW 2 B.A. X 3/16"	1
16	07210-00204	42 TEETH GEAR WHEEL	1	34	07210-00217	LABEL	1
17	07210-00207	CAM	1				
18	07210-00205	CAM AND GEAR SHAFT	1				

Avdel UK Limited

Mundells, Welwyn Garden City, Hertfordshire AL7 1EZ United Kingdom

Telephone +44 (0) 1707 292000 Facsimile +44 (0) 1707 292199

www.avdel-global.com