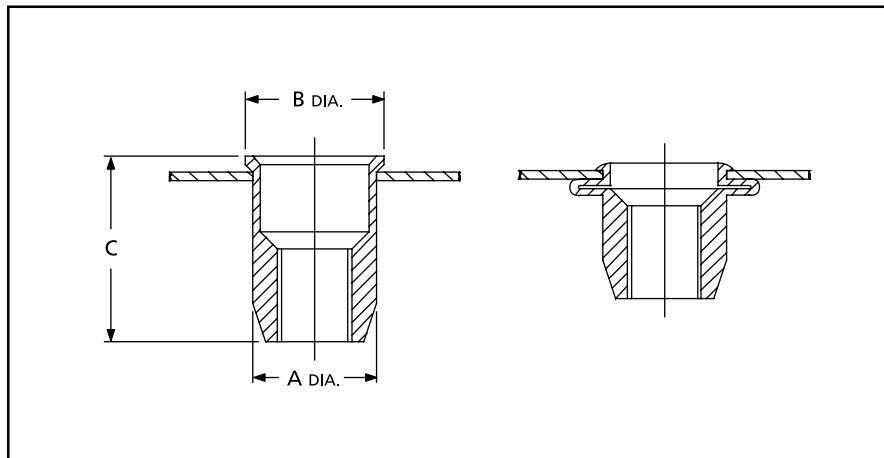


Low-profile head style provides near flush fit to workpiece.

Benefits:



- **Reduced Assembly Costs**
Installs fast and cleanly, even in blind applications
- **Designed for Thin Materials**
Can work in materials as thin as .020" and greater.
- **Permanent**
Crimps the parent material, providing secure and permanent load-bearing threads.
- **Low-Profile Head**
Flush fit to workpiece.



Steel Zinc Plate/Clear Chromate						
Thread Size	Part Number	A Max.	C Max.	B Max.	Grip Range	Hole Size
4 MM	9658-04	.249 (6,32)	.410 (10,41)	.287 (7,28)	.020 - .079 (,508 - 2,00)	.250 - .254 (6,35 - 6,45)
5 MM	9658-05	.280 (7,11)	.465 (11,81)	.320 (8,12)	.020 - .118 (,508 - 3,00)	.281 - .285 (7,14 - 7,24)
6 MM	9658-06	.374 (9,50)	.610 (15,49)	.415 (10,53)	.030 - .128 (,762 - 3,25)	.375 - .379 (9,53 - 9,63)
8 MM	9658-08	.499 (12,67)	.720 (18,29)	.540 (13,70)	.040 - .200 (1,02 - 5,08)	.500 - .504 (12,70 - 12,80)
6-32 UNC	9655-06	.249 (6,32)	.415 (10,54)	.287 (7,28)	.020 - .079 (,508 - 2,00)	.250 - .254 (6,35 - 6,45)
8-32 UNC	9655-08	.249 (6,32)	.415 (10,54)	.287 (7,28)	.020 - .079 (,508 - 2,00)	.250 - .254 (6,35 - 6,45)
10-24 UNC	9655-10	.280 (7,11)	.465 (11,81)	.320 (8,12)	.020 - .118 (,508 - 3,00)	.281-.285 (7,14 - 7,24)
10-24 UNC	9665-1018	.280 (7,11)	.575 (14,60)	.320 (8,12)	.125 - .225 (3,18 - 5,72)	.281 - .285 (7,14 - 7,24)
10-32 UNF	9657-10	.280 (7,11)	.465 (11,81)	.320 (8,13)	.020 - .118 (,508 - 3,00)	.281 - .285 (7,14 - 7,24)
10-32 UNF	9667-1018	.280 (7,11)	.575 (14,60)	.320 (8,13)	.125 - .225 (3,18 - 5,72)	.281 - .285 (7,14 - 7,24)
1/4-20 UNC	9654-08	.374 (9,50)	.610 (15,49)	.415 (10,53)	.030 - .128 (,762 - 3,25)	.375 - .379 (9,53 - 9,63)
1/4-20 UNC	9664-0823	.374 (9,50)	.710 (18,03)	.415 (10,53)	.150 - .260 (3,81 - 6,60)	.375 - .379 (9,53 - 9,63)
1/4-28 UNF	9656-08	.374 (9,50)	.610 (15,49)	.415 (10,53)	.030 - .128 (,762 - 3,25)	.375 - .379 (9,53 - 9,63)
5/16-18 UNC	9654-10	.499 (12,67)	.720 (18,29)	.540 (13,70)	.040 - .200 (1,02 - 5,08)	.500 - .504 (12,70 - 12,80)
5/16-18 UNC	9664-1026	.499 (12,67)	.835 (21,21)	.540 (13,70)	.185 - .312 (4,70 - 7,93)	.500 - .504 (12,70 - 12,80)
5/16-24 UNF	9656-10	.499 (12,67)	.720 (18,29)	.540 (13,70)	.040 - .200 (1,02 - 5,08)	.500 - .504 (12,70 - 12,80)
3/8-16 UNC	9654-12	.499 (12,67)	.720 (18,29)	.540 (13,70)	.040 - .200 (1,02 - 5,08)	.500 - .504 (12,70 - 12,80)

Note:

All dimension shown in parenthesis (e.g., (12,67)) are millimeters, unless otherwise indicated.

Aluminum Plain Finish						
Thread Size	Part Number	A Max.	C Max.	B Max.	Grip Range	Hole Size
4 MM	09488-00413	.249 (6,32)	.410 (10,41)	.287 (7,28)	.020 - .080 (,508 - 2,03)	.250 - .254 (6,35 - 6,45)
5 MM	09488-00514	.280 (7,11)	.465 (11,81)	.320 (8,12)	.020 - .130 (,508 - 3,30)	.281 - .285 (7,14 - 7,24)
6 MM	09488-00620	.374 (9,50)	.610 (15,49)	.415 (10,53)	.030 - .165 (,762 - 4,19)	.375 - .379 (9,53 - 9,63)
8 MM	09488-00821	.499 (12,67)	.660 (16,76)	.540 (13,70)	.040 - .140 (1,02 - 3,56)	.500 - .504 (12,70 - 12,80)
8 MM	09488-00823	.499 (12,67)	.720 (18,29)	.540 (13,70)	.140 - .200 (3,56 - 5,08)	.500 - .504 (12,70 - 12,80)
6-32 UNC	09485-00613	.249 (6,32)	.410 (10,41)	.287 (7,28)	.020 - .080 (,508 - 2,03)	.250 - .254 (6,35 - 6,45)
8-32 UNC	09485-00813	.249 (6,32)	.410 (10,41)	.287 (7,28)	.020 - .080 (,508 - 2,03)	.250 - .254 (6,35 - 6,45)
10-24 UNC	09485-01014	.280 (7,11)	.465 (11,81)	.320 (8,12)	.020 - .130 (,508 - 3,30)	.281 - .285 (7,14 - 7,24)
10-32 UNF	09487-01014	.280 (7,11)	.465 (11,81)	.320 (8,12)	.020 - .130 (,508 - 3,30)	.281 - .285 (7,14 - 7,24)
1/4-20 UNC	09484-00820	.374 (9,50)	.610 (15,49)	.415 (10,53)	.030 - .165 (,762 - 4,19)	.375 - .379 (9,53 - 9,63)
5/16-18 UNC	09484-01023	.499 (12,67)	.720 (18,29)	.540 (13,70)	.040 - .200 (1,02 - 5,08)	.500 - .504 (12,70 - 12,80)
3/8-16 UNC	09484-01223	.499 (12,67)	.720 (18,29)	.540 (13,70)	.040 - .200 (1,02 - 5,08)	.500 - .504 (12,70 - 12,80)

Stainless Steel - Under Head Splines Stainless Steel / Plain Finish						
Thread Size	Part Number	A Max.	C Max.	B Max.	Grip Range	Hole Size
6-32 UNC	09655-0065S	.248 (6,30)	.410 (10,41)	.273 (6,93)	.020 - .079 (,508 - 2,00)	.250 - .254 (6,35 - 6,45)
8-32 UNC	09655-0085S	.248 (6,30)	.410 (10,41)	.273 (6,93)	.020 - .079 (,508 - 2,00)	.250 - .254 (6,35 - 6,45)
10-24 UNC	09655-0105S	.280 (7,11)	.460 (11,68)	.305 (7,75)	.020 - .118 (,508 - 3,00)	.281 - .285 (7,14 - 7,24)
10-32 UNF	09657-0105S	.280 (7,11)	.460 (11,68)	.305 (7,75)	.020 - .118 (,508 - 3,00)	.281 - .285 (7,14 - 7,24)
1/4-20 UNC	09654-0085S	.372 (9,45)	.590 (14,99)	.410 (10,41)	.030 - .128 (,762 - 3,25)	.375 - .379 (9,53 - 9,63)
5/16-18 UNC	09654-0105S	.497 (12,62)	.730 (18,54)	.540 (13,70)	.040 - .200 (1,02 - 5,08)	.500 - .504 (12,70-12,80)
3/8-16 UNC	09654-0125S	.497 (12,62)	.730 (18,54)	.540 (13,70)	.040 - .200 (1,02 - 5,08)	.500 - .504 (12,70-12,80)

Note:

All dimension shown in parenthesis (e.g., (12,67)) are millimeters, unless otherwise indicated.