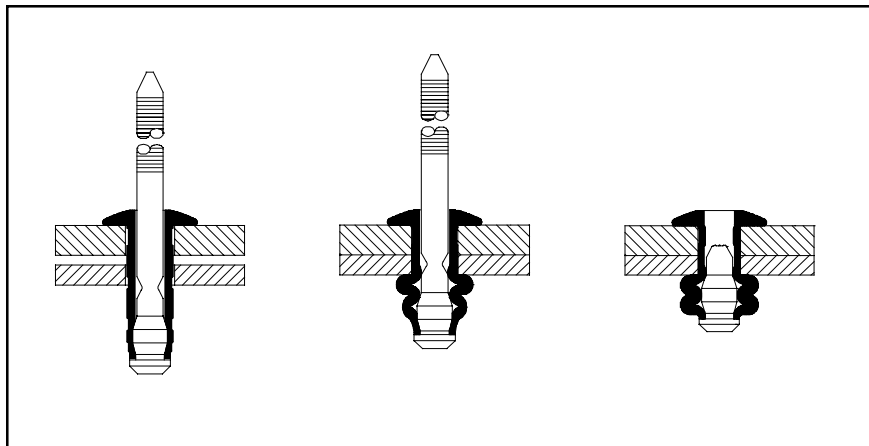


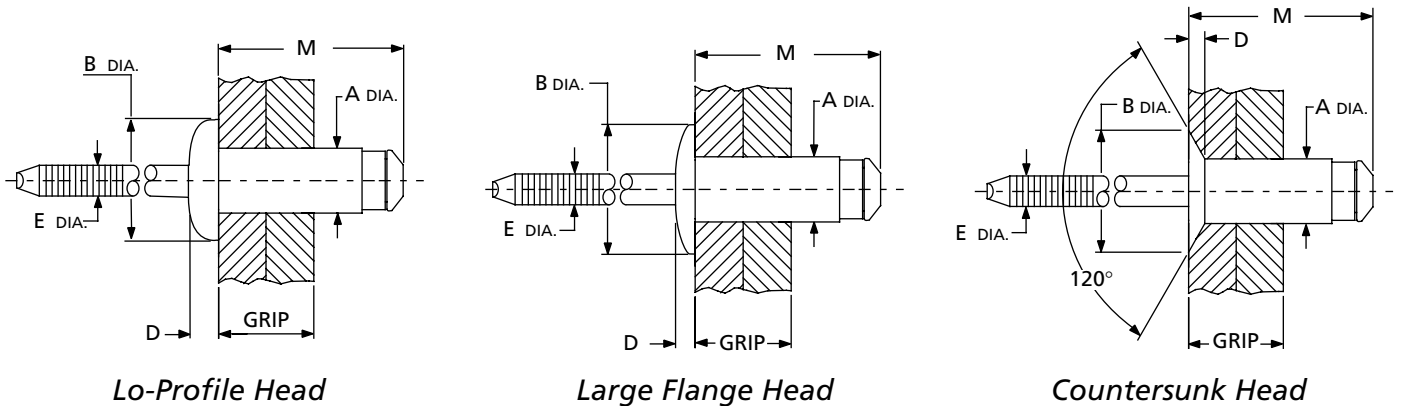
Multiple grip all-steel breakstem rivet. Unique crimp design provides wide grip range and smooth bubble formation on tailside. Available in low profile, large flange, and countersunk head styles.



Benefits:

- **Wide Grip Range**
One rivet can be used in multiple material thicknesses, a very unique feature for an all-steel breakstem rivet.
- **Mechanically Locked Stem**
Stem is locked in shell, eliminating the risk of mandrel head vibrating loose while providing a weather-resistant joint.
- **Complete Hole Fill**
The bulbing formation of the Stavex® will fill slightly oversized or irregular holes, providing increased strength and vibration resistance.





IDENTIFICATION CODE:
Prefix is rivet style and material
For example, OBS01 is steel Stavex with a low profile head

OBS01-006-18

The second and third digits of suffix denote diameter in 32nds of an inch

Last two digits of suffix denote approximate rivet length to end of body in 32nds of an inch

Series	Head Style	Material		Finish	
		Rivet	Mandrel	Rivet	Mandrel
OBS01	Lo Profile	Carbon Steel	Carbon Steel	Zinc	Zinc or Phosphate
OBE34	Large Flange	Carbon Steel	Carbon Steel	Zinc	Zinc
OBS04	Countersunk	Carbon Steel	Carbon Steel	Zinc	Zinc

Nom. Rivet Diam.	Hole Size	E Max.	A Rivet Diam.	Lo-Profile Head		Large-Flange Head		Countersunk Head	
				B Nom. Head Diam.	D Max. Head Ht.	B Nom. Head Diam.	D Max. Head Ht.	B Nom. Head Diam.	D Max. Head Ht.
3/16" (4,8mm)	.192-.196 (4,88-4,98)	.118 (3,00)	.183-.187 (4,65-4,75)	.387 (9,80)	.061 (1,55)	.621 (15,77)	.081 (2,06)	.347 (8,81)	.055 (1,40)
1/4" (6,3mm)	.261-.275 (6,63-6,99)	.158 (4,01)	.250-.260 (6,35-6,60)	.515 (13,1)	.105 (2,67)				

Rivet Diam.	G Grip Range	M Length Max.	Series OBS01 Steel Rivet Steel Mandrel	Series OBE34 Steel Rivet Steel Mandrel	Series OBS04 Steel Rivet Steel Mandrel
3/16" (4,8mm)	.045-.250 (1,52-6,35)	.540 (13,72)	OBS01-00614	OBE34-00614	OBS04-00614
	.060-.375 (1,52-9,52)	.670 (17,02)	OBS01-00618	OBE34-00618	OBS04-00618
	.250-.500 (6,35-12,70)	.790 (20,07)	OBS01-00622	OBE34-00622	OBS04-00622
1/4" (6,3mm)	.060-.300 (1,52-7,62)	.660 (16,76)	01610-04844		

STAVEX® Fastener Strength Values—lbf (N)					
Rivet Diam.	01610-04844 Steel		Series OBS01/OBS04/OBE34 Steel		
	Shear	Tens.	Shear	Shear	Tens.
3/16" (4,8mm)			Stem in Shear Plane 950 (4230)	Stem Outside Plane 450 (2000)	650 (2890)
1/4" (6,3mm)	Stem in Shear Plane 1500 (6670)	Stem Outside Plane 700 (3110)	800 (3560)		