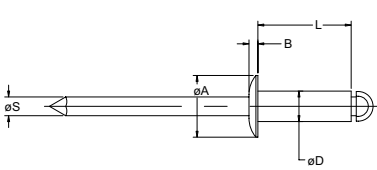


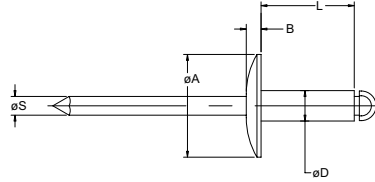
# N Rivet SSPS / SSSL / SSCS

English	Français	Deutsch	Italiano	Español
Body: Steel Zinc plated	Corps: Acier Revêtement zingué	Hülse: Stahl Verzinkt	Corpo: Acciaio Zincati	Cuerpo: Acero Zincado
Stem: Steel Natural	Tige: Acier Brut	Dorn: Stahl Blank	Gambo: Acciaio Nessuna finitura	Vástago: Acero Natural

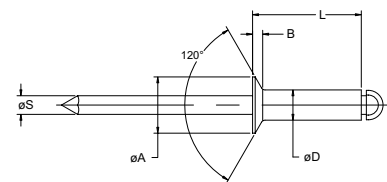
IFI 114 Grade 30



**N Rivet SSPS**  
 Protruding head / Tête bombée /  
 Flachrundkopf / Testa tonda /  
 Cabeza alomada



**N Rivet SSSL**  
 Large flange / Tête large /  
 Flachrundkopf, extragroß /  
 Testa larga / Cabeza ancha



**N Rivet SSCS**  
 Countersunk / Tête fraisée  
 Senkkopf / Testa svasata  
 Cabeza avellanada

ø	Cross-section		Thread		ø D	L	ø S	SSPS Protruding head			SSLS Large flange			SSCS Countersunk			
	min.	max.	min.	max.				ø A	B	Part No. /ref	ø A	B	Part No. /ref	ø A	B	Part No. /ref	
3/32" (2.4 mm)	.020	.125	.097	.100	.093	.250	.057	.188	.032	-03-02			.174	.027	-03-02		
	.126	.250														-03-04	-03-04
	.251	.375														-03-06	-03-06
1/8" (3.2 mm)	.020	.062	.129	.133	.125	.212	.076	.250	.040	-04-01	.375	.065	-04-02	.220	.031	-04-02	
	.063	.125				.275										-04-03	-04-03
	.126	.187				.337										-04-04	-04-04
	.188	.250				.400										-04-05	-04-05
	.251	.312				.462										-04-06	-04-06
	.313	.375				.535										-04-07	-04-07
	.376	.437				.602										-04-08	-04-08
	.438	.500				.670										-04-09	-04-09
	.501	.562				.738											
5/32" (4.0 mm)	.020	.125	.160	.164	.156	.300	.095	.312	.050	-05-02	.468	.075	-05-04	.281	.040	-05-04	
	.126	.250				.425										-05-06	-05-06
	.251	.375				.550										-05-08	-05-08
	.376	.500				.695										-05-10	-05-10
	.501	.625				.830											
3/16" (4.8 mm)	.020	.125	.192	.196	.187	.325	.114	.375	.060	-06-02	.625	.092	-06-04	.348	.050	-06-04	
	.126	.250				.450										-06-06	-06-06
	.251	.375				.575										-06-08	-06-08
	.376	.500				.700										-06-10	-06-10
	.501	.625				.850										-06-12	-06-12
	.626	.750				.980										-06-14	-06-14
	.751	.875				1.110										-06-16	-06-16
	.876	1.000				1.240											

all dimensions in inches / en pouces / alle Maße in Zoll / in pollici / en pulgadas



An Acument™ Global Technologies Company



www.avdel-global.com

© 2007 Acument Intellectual Properties, LLC

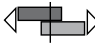

07.2007, page 1/2

Data shown is subject to change without prior notice as a result of continuous product development and improvement policy.  
 Your local Avdel representative is at your disposal should you need to confirm latest information.

# N Rivet SSPS / SSLS / SSCS

Ø nom.					Ø D	L max.	Ø S	SSPS Protruding head			SSLS Large flange			SSCS Countersunk							
	min.	max.	min.	max.				Ø A	B max.	Part No. /ref SSPS-	Ø A	B max.	Part No. /ref SSLS-	Ø A	B max.	Part No. /ref SSCS-					
1/4" (6.4 mm)	.020	.125	.257	.261	.250	.375	.151	.500	.080	.750	.107	.468	.071	-08-02	-08-04	-08-06	-08-08	-08-10	-08-12	-08-14	-08-16
	.126	.250				.500								-08-04							
	.251	.375				.625								-08-06							
	.376	.500				.750								-08-08							
	.501	.625				.900								-08-10							
	.626	.750				1.030								-08-12							
	.751	.875				1.160								-08-14							
	.876	1.000				1.290								-08-16							

all dimensions in inches / en pouces / alle Maße in Zoll / in pollici / en pulgadas

Ø nom.	 lbf min. <sup>1)</sup>	 lbf min. <sup>1)</sup>
3/32" (2.4 mm)	130	170
1/8" (3.2 mm)	260	310
5/32" (4.0 mm)	370	470
3/16" (4.8 mm)	540	680
1/4" (6.4 mm)	1000	1240

1) Tested per IFI 135 Specification 2.1 and 2.2  
 Testé par spécification IFI 135 2.1 et 2.2  
 Getestet nach IFI 135 Spezifikation 2.1 und 2.2  
 Provato secondo specifica IFI 135 2.1 e 2.2  
 Comprobado según especificación IFI 135 2.1 y 2.2



An Acument™ Global Technologies Company

www.avdel-global.com

© 2007 Acument Intellectual Properties, LLC

07.2007, page 2/2

Data shown is subject to change without prior notice as a result of continuous product development and improvement policy.  
 Your local Avdel representative is at your disposal should you need to confirm latest information.