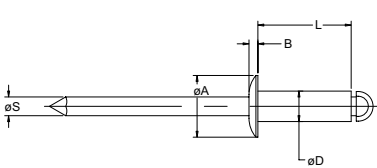


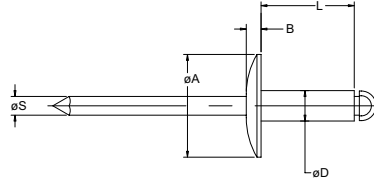
N Rivet MSPS / MSLS / MSCS

English	Français	Deutsch	Italiano	Español
Body: Monel Zinc plated	Corps: Monel Revêtement zingué	Hülse: Monel Verzinkt	Corpo: Monel Zincati	Cuerpo: Monel Zincado
Stem: Steel Natural	Tige: Acier Brut	Dorn: Stahl Blank	Gambo: Acciaio Nessuna finitura	Vástago: Acero Natural

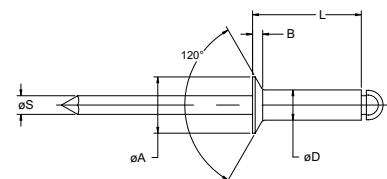
IFI 114 Grade 40



N Rivet MSPS
Protruding head / Tête bombée /
Flachrundkopf / Testa tonda /
Cabeza alomada



N Rivet MSLS
Large flange / Tête large /
Flachrundkopf, extragroß /
Testa larga / Cabeza ancha



N Rivet MSCS
Countersunk / Tête fraisée
Senkkopf / Testa svasata
Cabeza avellanada

ø nom.	Ø		Ø		ø D	L max.	ø S	MSPS Protruding head			MSLS Large flange			MSCS Countersunk			
	min.	max.	min.	max.				ø A	B max.	Part No. /ref MSPS-	ø A	B max.	Part No. /ref MSLS-	ø A	B ref.	Part No. /ref MSCS-	
3/32" (2.4 mm)	.020	.125	.097	.100	.093	.250	.057	.188	.032	-03-02			.174	.027	-03-02		
	.126	.250														-03-04	-03-04
	.251	.375														-03-06	-03-06
1/8" (3.2 mm)	.020	.062	.129	.133	.125	.212	.076	.250	.040	-04-01	.375	.065	.220	.031	-04-02		
	.063	.125														-04-02	-04-02
	.126	.187														-04-03	-04-03
	.188	.250														-04-04	-04-04
	.251	.312														-04-05	-04-05
	.313	.375														-04-06	-04-06
	.376	.437														-04-07	-04-07
	.438	.500														-04-08	-04-08
5/32" (4.0 mm)	.020	.125	.160	.164	.156	.300	.095	.312	.050	-05-02	.468	.075	.281	.040	-05-04		
	.126	.250														-05-04	-05-04
	.251	.375														-05-06	-05-06
	.376	.500														-05-08	-05-08
	.501	.625														-05-10	-05-10
3/16" (4.8 mm)	.020	.125	.192	.196	.187	.325	.114	.375	.060	-06-02	.625	.092	.348	.050	-06-04		
	.126	.250														-06-04	-06-04
	.251	.375														-06-06	-06-06
	.376	.500														-06-08	-06-08
	.501	.625														-06-10	-06-10

all dimensions in inches / en pouces / alle Maße in Zoll / in pollici / en pulgadas



An Acument™ Global Technologies Company



www.avdel-global.com

© 2007 Acument Intellectual Properties, LLC

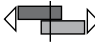

07.2007, page 1/2

Data shown is subject to change without prior notice as a result of continuous product development and improvement policy.
Your local Avdel representative is at your disposal should you need to confirm latest information.

N Rivet MSPS / MSLS / MSCS

Ø nom.					Ø D	L max.	Ø S	MSPS Protruding head			MSLS Large flange			MSCS Countersunk		
	min.	max.	min.	max.				Ø A	B max.	Part No. /ref MSPS-	Ø A	B max.	Part No. /ref MSLS-	Ø A	B max.	Part No. /ref MSCS-
1/4" (6.4 mm)	.020	.125	.257	.261	.250	.375	.151	.500	.080				.468	.071		-08-02
	.126	.250				.500										-08-04
	.251	.375				.625										-08-06
	.376	.500				.750										-08-08
	.501	.625				.900										-08-10
	.626	.750				1.030										-08-12

all dimensions in inches / en pouces / alle Maße in Zoll / in pollici / en pulgadas

Ø nom.	 lbf min. ¹⁾	 lbf min. ¹⁾
3/32" (2.4 mm)	200	250
1/8" (3.2 mm)	350	450
5/32" (4.0 mm)	550	700
3/16" (4.8 mm)	800	1000
1/4" (6.4 mm)	1400	1850

1) Tested per IFI 135 Specification 2.1 and 2.2
 Testé par spécification IFI 135 2.1 et 2.2
 Getestet nach IFI 135 Spezifikation 2.1 und 2.2
 Provato secondo specifica IFI 135 2.1 e 2.2
 Comprobado según especificación IFI 135 2.1 y 2.2



An Acument™ Global Technologies Company

www.avdel-global.com

© 2007 Acument Intellectual Properties, LLC

07.2007, page 2/2

Data shown is subject to change without prior notice as a result of continuous product development and improvement policy.
 Your local Avdel representative is at your disposal should you need to confirm latest information.