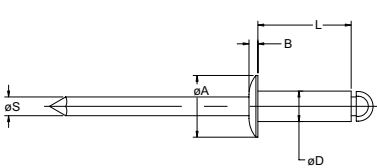


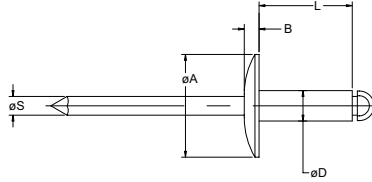
# N Rivet CSPA / CSLS / CSCS

English	Français	Deutsch	Italiano	Español
Body: Stainless steel Natural	Corps: Inox Brut	Hülse: Edelstahl Blank	Corpo: Acciaio Inox Nessuna finitura	Cuerpo: Acero inoxidable Natural
Stem: Steel Natural	Tige: Acier Brut	Dorn: Stahl Blank	Gambo: Acciaio Nessuna finitura	Vástago: Acero Natural

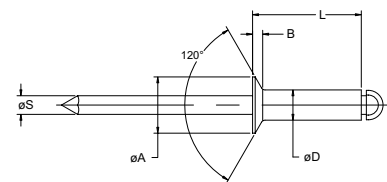
IFI 114 Grade 50



**N Rivet CSPA**  
Protruding head / Tête bombée /  
Flachrundkopf / Testa tonda /  
Cabeza alomada



**N Rivet CSLS**  
Large flange / Tête large /  
Flachrundkopf, extragroß /  
Testa larga / Cabeza ancha



**N Rivet CSCS**  
Countersunk / Tête fraisée  
Senkkopf / Testa svasata  
Cabeza avellanada

ø	Cross-section		Thread		ø D	L	ø S	CSPA Protruding head			CSLS Large flange			CSCS Countersunk				
	min.	max.	min.	max.				ø A	B	Part No. /ref	ø A	B	Part No. /ref	ø A	B	Part No. /ref		
3/32" (2.4 mm)	.020	.125	.097	.100	.093	.250	.057	.188	.032	-03-02				.174	.027	-03-02		
	.126	.250				.375				-03-04						-03-04		
1/8" (3.2 mm)	.020	.062	.129	.133	.125	.212	.076	.250	.040	-04-01	.375	.065	-04-02	.220	.031	-04-02		
	.063	.125				.275											-04-02	-04-02
	.126	.187				.337											-04-03	-04-03
	.188	.250				.400											-04-04	-04-04
	.251	.312				.462											-04-05	-04-05
	.313	.375				.535											-04-06	-04-06
5/32" (4.0 mm)	.020	.125	.160	.164	.156	.300	.095	.312	.050	-05-02	.468	.075	-05-04	.281	.040	-05-04		
	.188	.250				.425											-05-04	-05-04
	.251	.375				.550											-05-06	-05-06
3/16" (4.8 mm)	.020	.125	.192	.196	.187	.325	.114	.375	.060	-06-02	.625	.092	-06-04	.348	.050	-06-04		
	.126	.250				.450											-06-04	-06-04
	.251	.375				.575											-06-06	-06-06
	.376	.500				.700											-06-08	-06-08

all dimensions in inches / en pouces / alle Maße in Zoll / in pollici / en pulgadas



An Acument™ Global Technologies Company



www.avdel-global.com

© 2007 Acument Intellectual Properties, LLC

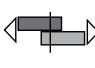

07.2007, page 1/2

Data shown is subject to change without prior notice as a result of continuous product development and improvement policy.  
Your local Avdel representative is at your disposal should you need to confirm latest information.

# N Rivet CSPA / CSLS / CSCS

Ø nom.					Ø D	L max.	Ø S	CSPA Protruding head			CSLS Large flange			CSCS Countersunk		
	min.	max.	min.	max.				Ø A	B max.	Part No. /ref CSPA-	Ø A	B max.	Part No. /ref CSLS-	Ø A	B max.	Part No. /ref CSCS-
1/4" (6.4 mm)	.020	.125	.257	.261	.250	.375	.151	.500	.080				.468	.071		-08-02
	.126	.250				.500										-08-04
	.251	.375				.625										-08-06
	.376	.500				.750										-08-08
	.501	.625				.900										-08-10

all dimensions in inches / en pouces / alle Maße in Zoll / in pollici / en pulgadas

Ø nom.	 lbf min. <sup>1)</sup>	 lbf min. <sup>1)</sup>
3/32" (2.4 mm)	230	280
1/8" (3.2 mm)	420	530
5/32" (4.0 mm)	650	820
3/16" (4.8 mm)	950	1200
1/4" (6.4 mm)	1700	2100

1) Tested per IFI 135 Specification 2.1 and 2.2  
 Testé par spécification IFI 135 2.1 et 2.2  
 Getestet nach IFI 135 Spezifikation 2.1 und 2.2  
 Provato secondo specifica IFI 135 2.1 e 2.2  
 Comprobado según especificación IFI 135 2.1 y 2.2



An Acument™ Global Technologies Company

www.avdel-global.com

© 2007 Acument Intellectual Properties, LLC

07.2007, page 2/2

Data shown is subject to change without prior notice as a result of continuous product development and improvement policy.  
 Your local Avdel representative is at your disposal should you need to confirm latest information.