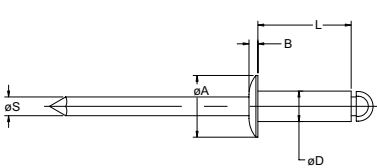


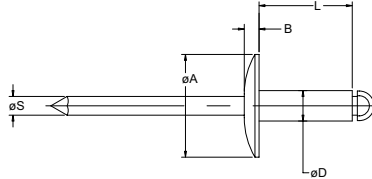
N Rivet CCPS / CCLS / CCCS

English	Français	Deutsch	Italiano	Español
Body: Stainless steel Natural	Corps: Inox Brut	Hülse: Edelstahl Blank	Corpo: Acciaio Inox Nessuna finitura	Cuerpo: Acero inoxidable Natural
Stem: Stainless steel Natural	Tige: Inox Brut	Dorn: Edelstahl Blank	Gambo: Acciaio Inox Nessuna finitura	Vástago: Acero inoxidable Natural

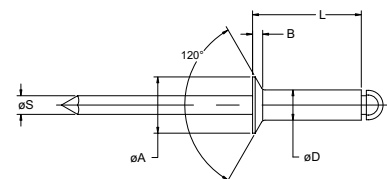
IFI 114 Grade 51



N Rivet CCPS
Protruding head / Tête bombée /
Flachrundkopf / Testa tonda /
Cabeza alomada



N Rivet CCLS
Large flange / Tête large /
Flachrundkopf, extragroß /
Testa larga / Cabeza ancha



N Rivet CCCS
Countersunk / Tête fraisée
Senkkopf / Testa svasata
Cabeza avellanada

Ø	Ø		Ø		Ø D	L	Ø S	CCPS Protruding head			CCLS Large flange			CCCS Countersunk		
	min.	max.	min.	max.				Ø A	B	Part No. /ref	Ø A	B	Part No. /ref	Ø A	B	Part No. /ref
3/32" (2.4 mm)	.020	.125	.097	.100	.093	.250	.057	.188	.032	-03-02				.174	.027	-03-02
	.126	.250				.375				-03-04						-03-04
1/8" (3.2 mm)	.020	.062	.129	.133	.125	.212	.076	.250	.040	-04-01	.375	.065		.220	.031	
	.063	.125				.275				-04-02			-04-02			
	.126	.187				.337				-04-03						-04-03
	.188	.250				.400				-04-04						-04-04
	.251	.312				.462				-04-05						-04-05
	.313	.375				.535				-04-06						-04-06
	.376	.437				.602				-04-07						
	.438	.500				.670				-04-08						
5/32" (4.0 mm)	.020	.125	.160	.164	.156	.300	.095	.312	.050	-05-02	.468	.075		.281	.040	
	.126	.250				.425				-05-04			-05-04			
	.251	.375				.550				-05-06			-05-06			
3/16" (4.8 mm)	.020	.125	.192	.196	.187	.325	.114	.375	.060	-06-02	.625	.092		.348	.050	
	.126	.187				.387				-06-03						
	.188	.250				.450				-06-04						-06-04
	.251	.375				.575				-06-06						-06-06
	.376	.500				.700				-06-08						-06-08

all dimensions in inches / en pouces / alle Maße in Zoll / in pollici / en pulgadas



An Acument™ Global Technologies Company



www.avdel-global.com

© 2007 Acument Intellectual Properties, LLC

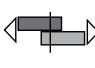

07.2007, page 1/2

Data shown is subject to change without prior notice as a result of continuous product development and improvement policy.
Your local Avdel representative is at your disposal should you need to confirm latest information.

N Rivet CCPS / CCLS / CCCS

Ø nom.					Ø D	L max.	Ø S	CCPS Protruding head			CCLS Large flange			CCCS Countersunk		
	min.	max.	min.	max.				Ø A	B max.	Part No. /ref CCPS-	Ø A	B max.	Part No. /ref CCLS-	Ø A	B max.	Part No. /ref CCCS-
1/4" (6.4 mm)	.020	.125	.257	.261	.250	.375	.151	.500	.080				.468	.071		-08-02
	.126	.250				.500										-08-04
	.251	.375				.625										-08-06
	.376	.500				.750										-08-08
	.501	.625				.900										-08-10

all dimensions in inches / en pouces / alle Maße in Zoll / in pollici / en pulgadas

Ø nom.	 lbf min. ¹⁾	 lbf min. ¹⁾
3/32" (2.4 mm)	230	280
1/8" (3.2 mm)	420	530
5/32" (4.0 mm)	650	820
3/16" (4.8 mm)	950	1200
1/4" (6.4 mm)	1700	2100

1) Tested per IFI 135 Specification 2.1 and 2.2
 Testé par spécification IFI 135 2.1 et 2.2
 Getestet nach IFI 135 Spezifikation 2.1 und 2.2
 Provato secondo specifica IFI 135 2.1 e 2.2
 Comprobado según especificación IFI 135 2.1 y 2.2



An Acument™ Global Technologies Company

www.avdel-global.com

© 2007 Acument Intellectual Properties, LLC

07.2007, page 2/2

Data shown is subject to change without prior notice as a result of continuous product development and improvement policy.
 Your local Avdel representative is at your disposal should you need to confirm latest information.