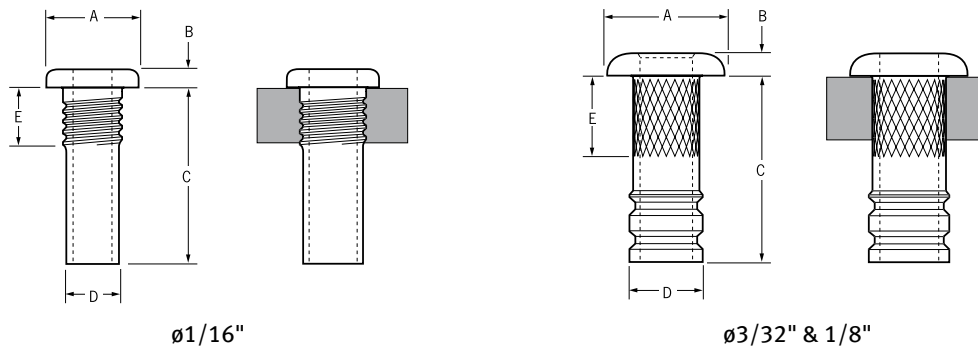


Avlug® 1107



English	Français	Deutsch	Italiano	Español
Dome head	Tête plate	Flachrundkopf	Testa tonda	Cabeza alomada
Brass* Tin plated	Laiton* Etamé	Kupfer-Zink Legierung* verzinkt	Ottone* Stagnato	Latón* Estañado

*: BS EN 12166 CW 508L DIN 17660 CuZn37



ø			A	B	C	D	E	No. of grooves / cannelures / Rillen / rigature / aros	Fasteners per pod / Nombre de rivets par chargeur / Niete pro Magazin / Rivetti per caricatore / Uds./carga	Part No/ref
	nom.	min. max.								
1/16"	.071 .076	.110	.024	.162	.0703	.080	4	62	01107-00205	
				.256						42
3/32"	.103 .108	.163	.037	.329	.1023	.135	2	33	01107-00310	
				.392						3
1/8"	.133 .138	.217	.045	.392	.1323	.135	3	26	01107-00412	

all dimensions in inches / en pouces / alle Maße in Zoll / in pollici / en pulgadas

1) typical values / valeurs moyennes / typische Werte / Valori tipici / resistencias máximas recomendadas



An Acument™ Global Technologies Company

www.avdel-global.com

© 2007 Acument Intellectual Properties, LLC

Avlug® is a trademark of Avdel UK Limited

07.2007

Data shown is subject to change without prior notice as a result of continuous product development and improvement policy.
Your local Avdel representative is at your disposal should you need to confirm latest information.