

T-Lok[®]

Cost-effective and efficient method of attaching metal to wood or other soft material without through holes.



Key features and benefits

- 'Peel-type' tail formation makes it ideal for joining metal to wood, board or low density plastic
- Large bearing surface expands into blind hole providing superior pull-out force
- Ideal replacement for wood screws or self-tapping screws
- Multi-grip capability accommodates wide variations in material thickness

Specifications

Sizes:

4.3 mm and 4.8 mm (3/16")

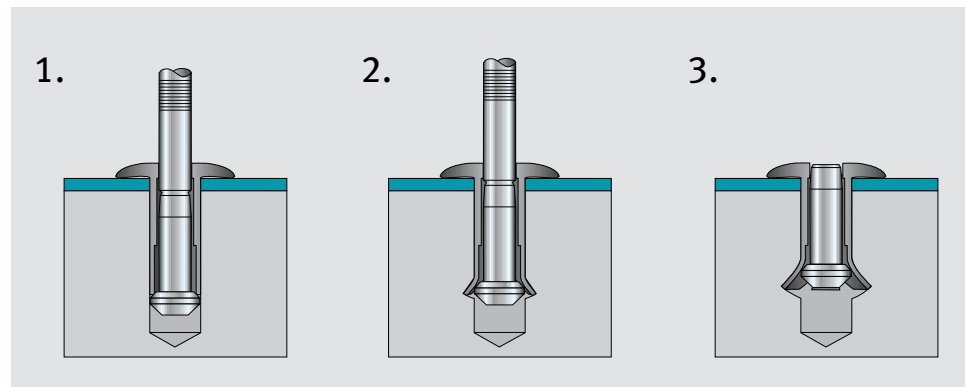
Materials:

Steel

Headforms:

Dome

Typical placing sequence



Please visit our website www.avdel-global.com for fastener placing animations and technical data.

Assembly applications

- Garage doors
- Furniture

Garage Doors



Furniture

