

Rivscrow® PL For Plastics

Threaded, removable speed (repetition) fasteners that combine the speed of rivet placement with the removability of a screw.



Key features and benefits

Rivscrow® PL fasteners have the same features and benefits as the standard Rivscrow® fastener plus:

- Especially designed for soft and hard plastics
- Special thread design for a wide range of plastics with a flexural modulus between 340,000 and 1,400,000 p.s.i (2,000 to 10,000 N/mm²)
- Wide grip range from 3.0 to 11.8 mm covered by one fastener

Specifications

Sizes:

3.0 mm to 4.5 mm

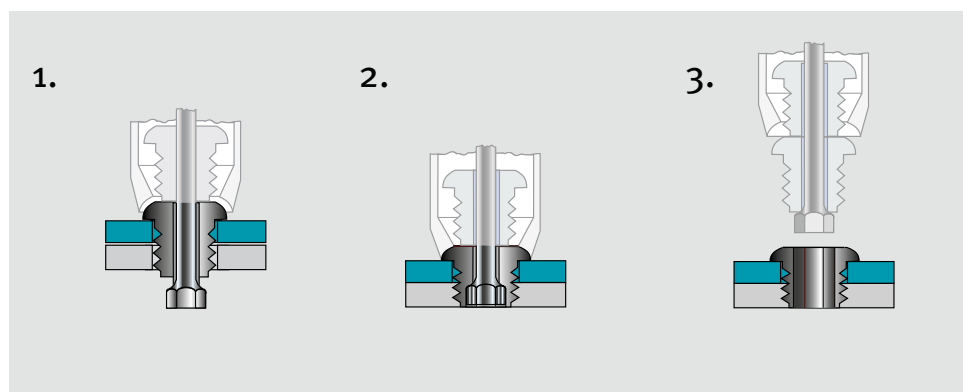
Materials:

Zinc plated steel

Headforms:

Dome

Typical placing sequence



Please visit our website www.avdel-global.com for fastener placing animations.

Assembly applications

- Bumper covers
- Lighting
- Plastic trim
- Printers
- Domestic appliances
- Toys
- Plastic enclosures

