

Genesis® nG3 Hydro Pneumatic Tool

71224 series with fixed stem collector bottle

Features

- Lightweight tool
- Toughened plastic body and heavy duty rubber base
- Vacuum air supply cut-off on trigger
- Enhanced tool life
- Soft touch rubber grip on handle
- Integral cycle counter

Benefits

- Reduces operator fatigue
- High placement speed
- Robust tool
- Minimized air consumption
- Places a wide range of fasteners
- Ergonomic

Specifications

| | |
|---------------------------|-----------------------|
| Weight (min. with equip.) | 2.3 kg (5.1 lbs) |
| Pull force @ 5.5 bar | 12.9 kN (2900 lbf) |
| Stroke (min.) | 26 mm (1.02 in) |
| Cycle time (approx.) | 1.2 sec |
| Air supply pressure | 5- 7 bar (80-100 psi) |
| Free air volume @ 5.5 bar | 4.3 litres |
| Noise level | <75 dB(A) |
| Vibration | <2.5m/s ² |

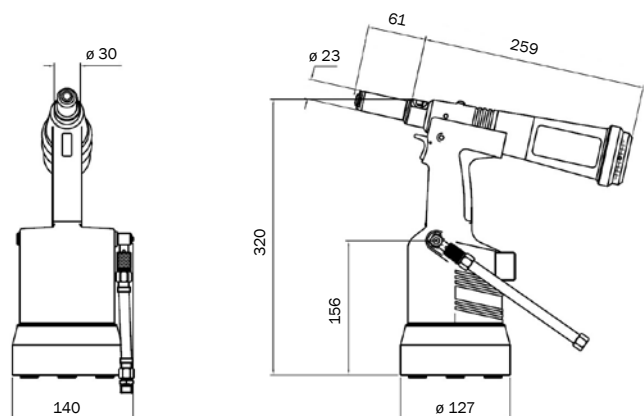
Placing Capability

Up to 6.4mm (1/4") breakstem rivets produced by Avdel, except Avibulb® XT, Avinox® XT and Hemlok® structural fasteners. Can also place Avseal® II sealing plugs up to 9 mm and Avtainer® lockbolts 10 mm (3/8").

For detailed information on placing capability and nose equipment please refer to the tool manual on our website www.avdel-global.com or contact your local Avdel representative.



Dimensions (mm)



Avdel USA LLC
614 NC Highway 200 South
Stanfield, North Carolina 28163
Tel. +1 704 888-7100 · Fax -0258
infoAvdel-USA@infastech.com

www.avdel-global.com

Avdel Canada Limited
1030 Lorimar Drive
Mississauga, Ontario L5S 1R8
Tel. +1 905 364-0664 · Fax -0678
infoAvdel-Canada@infastech.com

© 2010 Infastech