

Genesis® nG2-S Hydro Pneumatic Split Tool

71401 series with quick release stem collector bottle

71404 series with fixed stem collector bottle

Features

- Split tool for breakstem rivets
- Lightweight placing head
- Remote intensifier
- Quick release nose assembly
- Quick release stem collector bottle (71401 series)
- Fixed stem collector bottle (71404 series)
- Adjustable vacuum air flow
- Enhanced tool life
- Soft touch rubber grip on handle

Benefits

- Reduces operator fatigue
- High placement speed
- Robust tool
- Reduced setting times and change of equipment
- Minimized air consumption
- Reduced time to empty stem collector
- Places a wide range of fasteners
- Ergonomic

Specifications

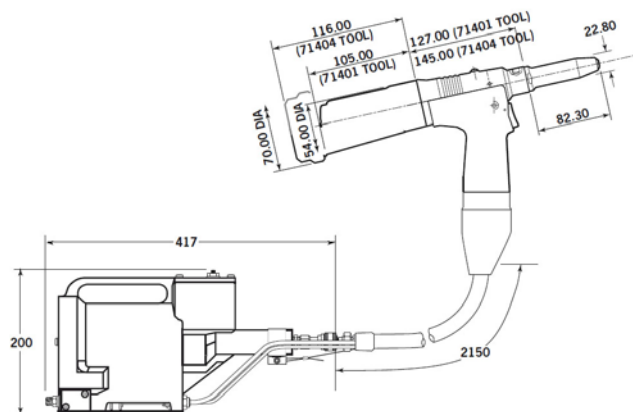
Head weight (min. with equip.)	1.2 kg
Pull force @ 5.5 bar	10.88 kN
Stroke (min.)	17 mm
Cycle time (approx.)	1 sec
Air supply pressure	5- 7 bar
Free air volume @ 5.5 bar	3.6 litres
Noise level	<75 dB(A)
Vibration	<2.5m/s ²
Intensifier ratio	44:1

Placing capability

Up to 4.8mm (3/16") breakstem rivets.
Can also place Avseal® II sealing plug up to 7 mm.
For detailed information on placing capability and nose equipment please refer to the tool manual on our website www.avdel-global.com or contact your local Avdel representative.



Dimensions (mm)



Avdel USA LLC
614 NC Highway 200 South
Stanfield, North Carolina 28163
Tel. +1 704 888-7100 · Fax -0258
infoAvdel-USA@infastech.com

www.avdel-global.com

Avdel Canada Limited
1030 Lorimar Drive
Mississauga, Ontario L5S 1R8
Tel. +1 905 364-0664 · Fax -0678
infoAvdel-Canada@infastech.com

© 2010 Infastech

Avdel Patent Protected. Avseal® and Genesis® are trademarks of Avdel UK Limited.

Data shown is subject to change without prior notice as a result of continuous product development and improvement policy.
Your local Avdel representative is at your disposal should you need to confirm latest information.

11.2011