

# Monobolt®

Multi-grip structural breakstem fasteners providing a fully sealed joint and visible lock.



## Key features and benefits

- Excellent hole fill via radially expanded body provides very strong, vibration resistant joints and compensates for irregular, oversized, slotted or misaligned holes
- Good sheet take-up performance for large gap closing capability
- Stem mechanically locked into body avoids damage, electrical problems or rattling caused by loose stems
- Multi-grip capability
- High shear and tensile strength
- Visible lock for quick and easy inspection

## Specifications

Sizes:

4.8 mm, 6.4 mm and 10 mm  
(3/16", 1/4" and 3/8")

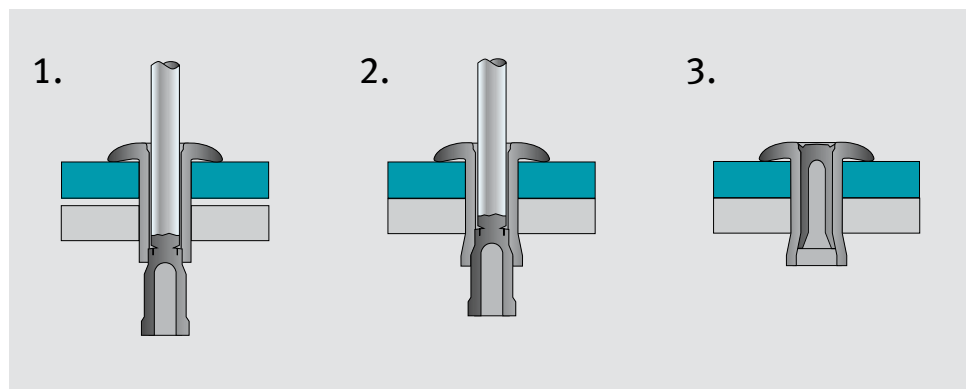
Materials:

Aluminium alloy, steel  
and stainless steel

Headforms:

Protruding and countersunk

## Typical placing sequence

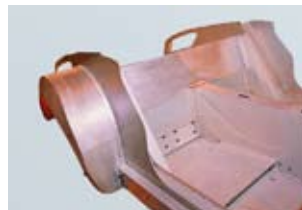


Please visit our website [www.avdel-global.com](http://www.avdel-global.com) for fastener placing animations and technical data.

## Assembly applications

- Automotive
- Cabinets and enclosures
- Commercial vehicles
- Domestic appliances
- Heating and ventilation

Car chassis



Column tail lifts



Product cooler

