

# Klamp-Tite®

Aluminium alloy fasteners with a very large blind side bearing area against the rear sheet. Ideal for use in thin sheet or low strength materials.



## Key features and benefits

- Split tail formation spreads the tail bearing load/clamp load on the rear sheet
- Ideal for use in thin sheet materials offering high resistance to pull-out loads
- Multi-grip capability accommodates wide variations in material thickness

### structural

- Stem is mechanically locked into body providing very strong, vibration resistant joints
- Visible lock for quick and easy inspection
- Optional underhead washer provides a weather-proof seal

### non-structural

- Retained stem provides very strong, vibration resistant joints avoiding problems caused by loose stems

## Specifications

Sizes:

4.8 mm and 6.4 mm  
(3/16" and 1/4")

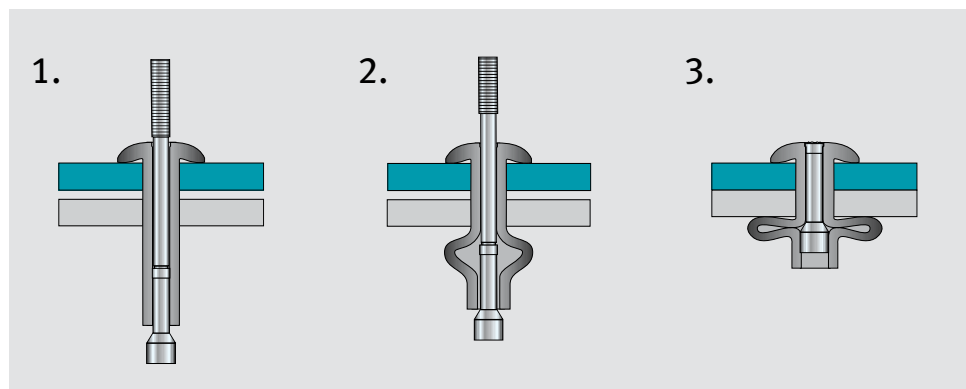
Materials:

Aluminium alloy

Headforms:

Protruding

## Typical placing sequence (structural)



Please visit our website [www.avdel-global.com](http://www.avdel-global.com) for fastener placing animations and technical data.

## Specifications

Sizes:

4.8 mm and 6.4 mm  
(3/16" and 1/4")

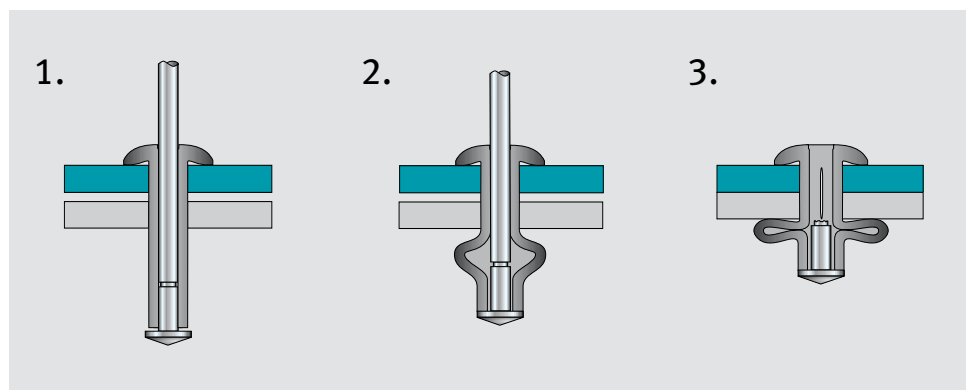
Materials:

Aluminium alloy

Headforms:

Protruding

## Typical placing sequence (non-structural)



Please visit our website [www.avdel-global.com](http://www.avdel-global.com) for fastener placing animations and technical data.

## Assembly applications

### structural

- Container
- Cladding
- Commercial vehicles

### non-structural

- Automotive
- Caravans/RV
- Domestic appliances
- Plastic components