

Multi-grip, aluminium alloy breakstem fasteners with a long and reliable track record in a wide range of applications and industries.



Key features and benefits

- Multi-grip capability accommodates wide variations in material thickness
- One fastener can be used to replace several standard grip fasteners thus reduced fastener inventory and simpler stock control
- Good hole fill provides strong, vibration resistant joints
- Compensates for irregular, oversized, slotted or misaligned holes
- Can stop sheet movement in non-standard holes
- Retained stem avoids damage, electrical problems or rattling caused by loose stems
- Provides a large blind side bearing area against the rear sheet
- Spreads the tail bearing load/clamp load on the rear sheet making it ideal for use in thin sheet materials

Specifications

Sizes:

3.0 mm to 6.4 mm (1/4")

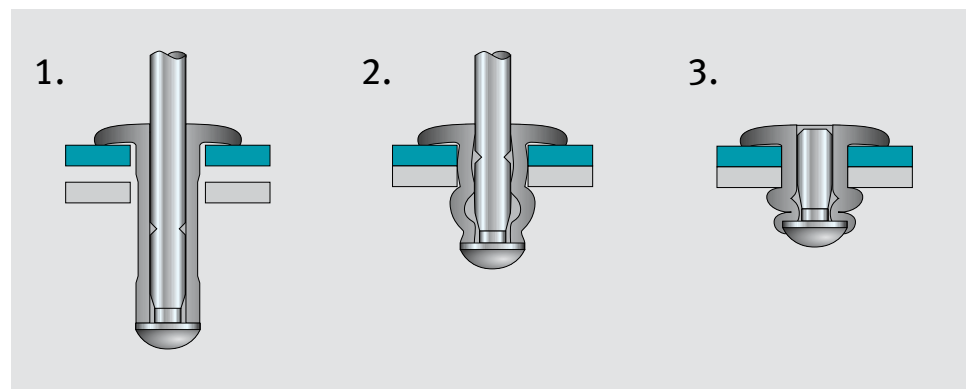
Materials:

Aluminium alloy with steel or stainless steel stems

Headforms:

Dome, countersunk and large flange

Typical placing sequence



Please visit our website www.avdel-global.com for fastener placing animations and technical data.

Assembly applications

- Automotive
- Commercial vehicles
- Domestic appliances
- Electronics
- Electrical equipment
- General light industrial
- Heating and ventilation

Garage doors



Domestic heating systems



Car chassis

