

# Avdelok<sup>®</sup>

High strength, vibration resistant lockbolts with high, controlled clamp.



## Key features and benefits

- High shear strength for high strength assembly
- High, controlled clamp provides excellent vibration resistance
- Quick to install across a wide range of applications
- Comprehensive range of purpose-designed installation tools
- Wide choice of materials, sizes, head forms and collar options to suit a wide variety of applications
- Easy to inspect for tampering
- TIR approved
- Large diameter option from 12.7 mm (1/2") to 25.4 mm (1") for heavy engineering applications

## Specifications

### Avdelok<sup>®</sup>

Sizes:

4.8 mm to 9.6 mm  
(3/16" to 3/8")

Materials:

Aluminium alloy, steel,  
stainless steel

Headforms:

Brazier, countersunk, truss,  
large

Collar options:

Full, half, flanged

### Avdelok<sup>®</sup> LD

Sizes:

12.7 mm to 25.4 mm  
(1/2" to 1")

Materials:

Steel

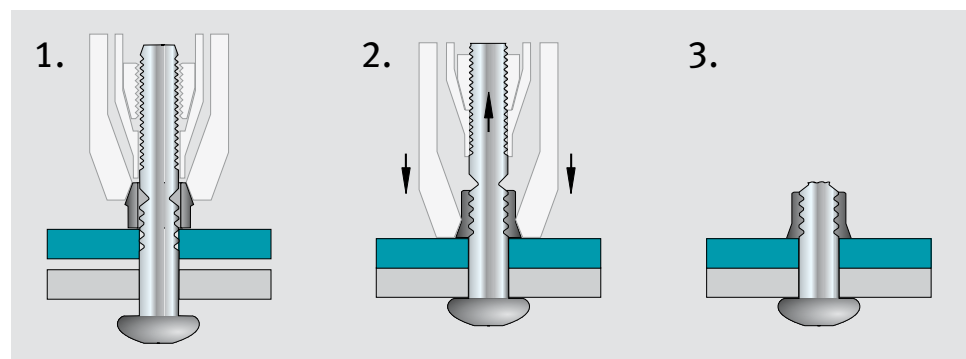
Headforms:

Round, countersunk

Collar options:

Full, flanged

## Typical placing sequence



Please visit our website [www.avdel-global.com](http://www.avdel-global.com) for fastener placing animations and technical data.

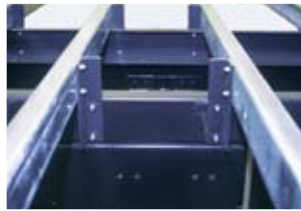
## Assembly applications

- Commercial vehicles
- Heating systems
- Steel construction
- Bridge building
- Solar panels
- Railway
- Mining

Heating systems



Commercial vehicles



Solar power plants



Solar power plants (detail)

