

Hydro Pneumatic Tool for Avdel® Lockbolts

71255 Model

Features

- Lightweight, ergonomically designed tool
- Toughened plastic body and heavy duty rubber base
- High speed placement
- Integrated cycle counter
- Can be suspended
- Can also place a wide range of breakstem rivets with optional equipment

Benefits

- Reduced operator fatigue
- Robust and durable tool
- Increased productivity
- Stroke counter indicates accurate service intervals
- Flexible in production

Specifications

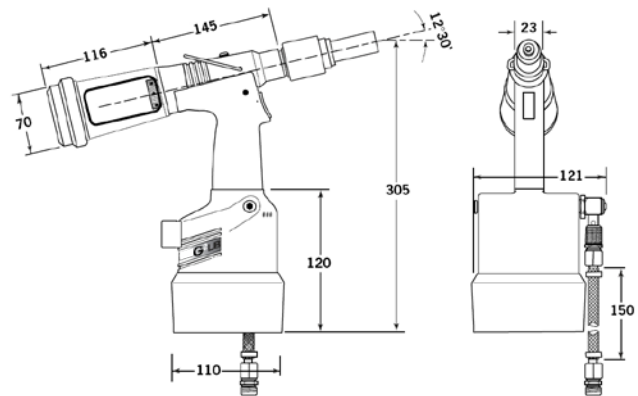
Weight (incl. nose equip.)	2.4 kg (5.29 lbs)
Pull force @ 5.5 bar	12.47 kN (2803 lbf)
Stroke (min.)	13 mm (0.51 in)
Cycle time (approx.)	1.0 sec
Air supply pressure	5-7 bar (73-101 psi)
Free air volume @ 5.5 bar	2.1 litres
Noise level	75 dB(A)
Vibration	<2.5m/s ²

Placing capability

Avdelok® lockbolts \varnothing 4.8 mm (3/16") and 6.4 mm (1/4") and Maxlok® lockbolts \varnothing 4.8 mm (3/16"). For detailed information on placing capability and nose equipment please refer to the tool manual on our website www.avdel-global.com or contact your local Avdel representative.



Dimensions (mm)



Avdel USA LLC
614 NC Highway 200 South
Stanfield, North Carolina 28163
Tel. +1 704 888-7100 · Fax -0258
infoAvdel-USA@infastech.com

www.avdel-global.com

Avdel Canada Limited
1030 Lorimar Drive
Mississauga, Ontario L5S 1R8
Tel. +1 905 364-0664 · Fax -0678
infoAvdel-Canada@infastech.com

© 2010 Infastech

Avdel Patent Protected. Avdelok® and Maxlok® are trademarks of Avdel UK Limited.

06.2011

Data shown is subject to change without prior notice as a result of continuous product development and improvement policy.
Your local Avdel representative is at your disposal should you need to confirm latest information.