

# Hydro Pneumatic Tool for Threaded Inserts

## 74201 Model

### Features

- Pressure setting
- Lightweight and ergonomic design
- Plastic covered cast aluminium body
- Heavy duty rubber base
- Steel tie rods
- Can be suspended or hand-held

### Benefits

- Ideal for applications with varying sheet thicknesses, without any adjustment to stroke
- Overcomes rear sheet swarf issues
- Reduces operator fatigue
- Increased productivity
- Increased impact resistance, durability and structural integrity
- Ensures accurate and secure thread installation

### Specifications

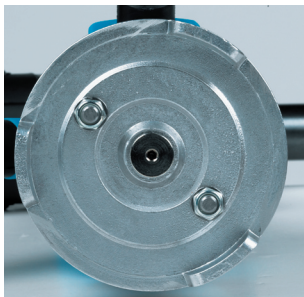
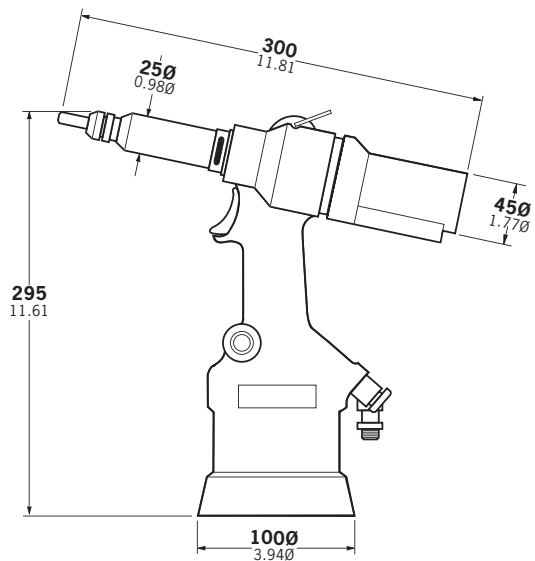
Weight	2.1 kg (4.6 lbs)
Pull Force	17.7 kN (4,000 lbf)
Stroke	7 mm (0.276 in)
Cycle Time	2.5 sec
Air Supply Pressure	5 – 7 bar
Free air volume	7.5 litres
Noise level	75 dB(A)
Vibration	<2.5m/s <sup>2</sup>

### Placing capability

Avdel threaded inserts M3 to M8.



### Dimensions (mm/inch)



Steel tie rods for increased structural integrity



Pressure setting adjustment dial



An Acument™ Global Technologies Company

Avdel USA LLC  
614 NC Highway 200 South  
Stanfield, North Carolina 28163  
Tel. +1 704 888-7100 · Fax -0258  
infoAvdel-USA@acument.com

www.avdel-global.com

Avdel Canada, a Division of  
Acument Canada Limited  
87 Disco Road  
Rexdale, Ontario M9W 1M3  
Tel. +1 416 67906-22 · Fax -78  
infoAvdel-Canada@acument.com

© 2007 Acument Intellectual Properties, LLC