

Pneumatic Handtool for Speed Fasteners

7271 Model

Features

- High performance pneumatic handtool in heavy duty plastic
- Robust and durable construction
- High capacity, magazine fed fasteners
- Uses same placing equipment as the 7530 tool
- Can be suspended

Benefits

- High placement speed
- Consistent actuation and hence joint formation
- Reduced component handling and subsequent spillage
- Pneumatically operated - no need for oil change
- Suitable for most industrial environments

Specifications

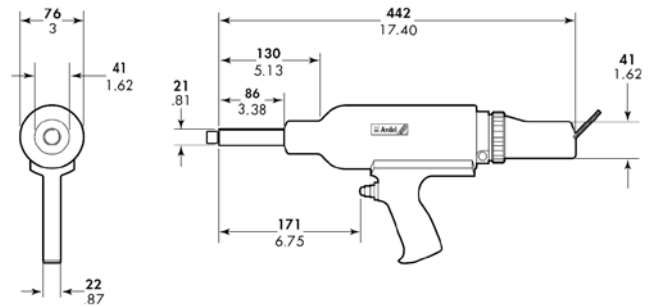
Weight	2.35 kg (5.2 lbs)
Pull Force @ 4.8 bar	3.89 kN (875lbf)
Cycle Time approx.	2.4 sec
Air Supply Pressure	5 – 8 bar
Free Air Volume @ 5.5 bar	1.72 litres
Noise Level	< 70 dB(A)

Placing capability

All Speed Fasteners from diameter 2.4 mm (3/32") to 6.4 mm (1/4").



Dimensions (mm/inch)



An Acument™ Global Technologies Company

Avdel USA LLC
614 NC Highway 200 South
Stanfield, North Carolina 28163
Tel. +1 704 888-7100 · Fax -0258
infoAvdel-USA@acument.com

www.avdel-global.com

Avdel Canada, a Division of
Acument Canada Limited
87 Disco Road
Rexdale, Ontario M9W 1M3
Tel. +1 416 67906-22 · Fax -78
infoAvdel-Canada@acument.com

© 2007 Acument Intellectual Properties, LLC