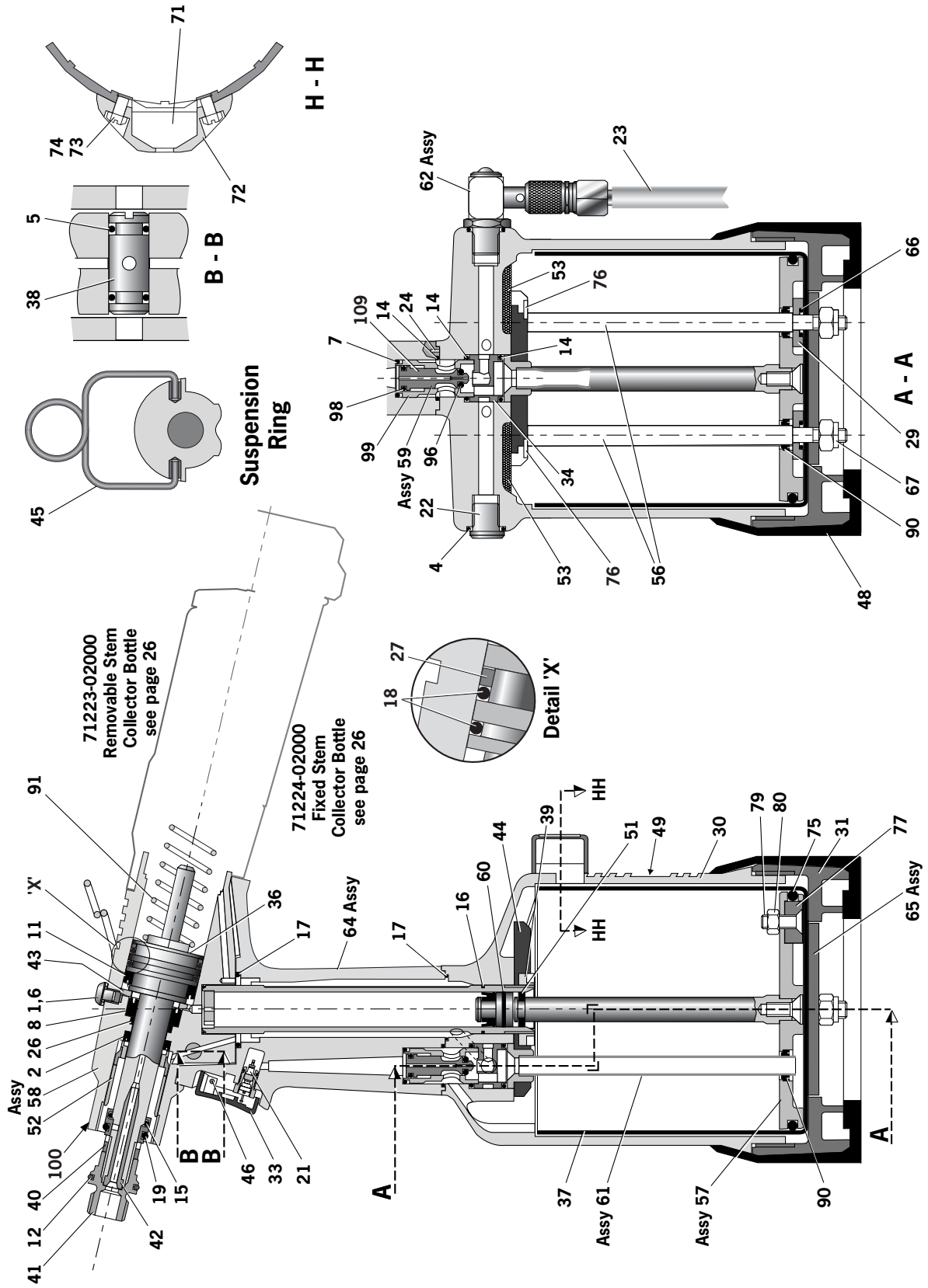


Common Parts

General Assembly of Common Parts 71223-02000 and 71224-02000



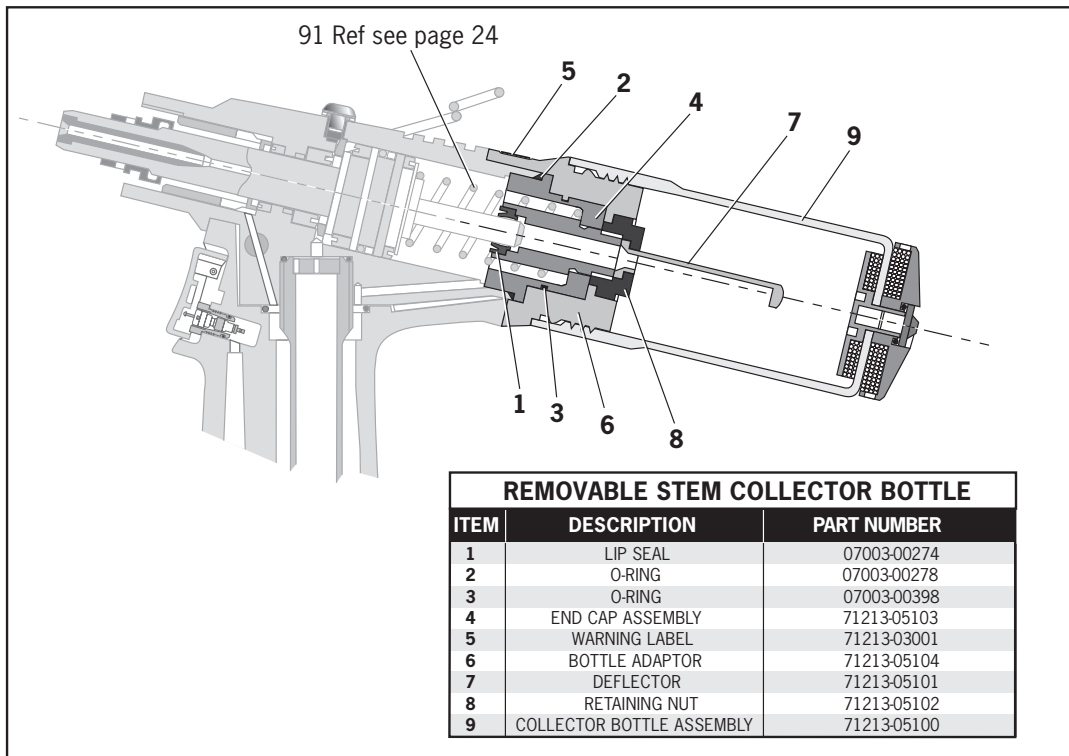
Common Parts

Parts List for Common Parts 71223-02000 and 71224-02000

71223-02000 and 71224-0200 PARTS LIST				* These are minimum recommended levels of spares based on regular servicing			
ITEM	PART N°	DESCRIPTION	QTY SPARES	ITEM	PART N°	DESCRIPTION	QTY SPARES
01	07001-00405	M5x5 HEX SOCKET BUTTON HD SCREW	1	48	71221-02007	RUBBER BOOT	1
02	07003-00333	LIP SEAL	1	49	71223-02027	LABEL	1
04	07003-00127	'O' RING	1	51	71210-03205	GUIDE RING	1
05	07003-00189	'O' RING	2	52	71210-02104	SEAL HOUSING	1
06	07003-00194	M5 BONDED SEAL	1	53	71210-02031	SILENCER	2
07	07003-00271	'O' RING	1	56	71221-02004	TIE ROD	2
08	07003-00273	LIP SEAL	1	57	71221-03210	PNEUMATIC PISTON ASSEMBLY (ITEMS 51, 75 & 90)	1
11	07003-00341	LIP SEAL	1	58	71213-03330	HEAD ASSEMBLY	1
12	07003-00277	'O' RING	1	59	71210-03400	VALVE SPOOL ASSEMBLY (ITEMS 96, 98, 99 & 109)	1
14	07003-00281	'O' RING	3	60	71210-03800	SEAL ASSEMBLY	1
15	07003-00204	'O' RING	1	61	71230-03600	TRANSFER TUBE ASSEMBLY	1
16	07003-00287	'O' RING	1	62	71210-03700	ON/OFF VALVE ASSEMBLY	1
17	07003-00288	'O' RING	2	64	71213-02016	HANDLE ASSEMBLY	1
18	07003-00342	'O' RING	2	65	71221-02014	BASE PLATE ASSEMBLY	1
19	07003-00310	'O' RING	1	66	07003-00027	'O' RING	2
21	07005-00088	TRIGGER VALVE	1	67	07002-00108	M6 NYLOC NUT	2
22	07005-01274	1/8" BSP PLUG	1	71	71221-20105	MODIFIED COUNTER	1
23	07008-00010	6" FLEXIBLE HOSE	1	72	71221-20101	COUNTER MouldING	1
24	07007-00224	3mm DIAx10mm SPIROL PIN	2	73	71221-20103	MOULDING RETAINING NUT	2
26	71213-02021	BEARING TAPE - PISTON ROD	1	74	71221-20102	SPECIAL M4 SCREW	2
27	71213-02022	BEARING TAPE - PISTON	1	75	07003-00182	'O' RING	1
29	71221-02006	SEALING WASHER	2	76	07002-00163	WASHER	2
30	71223-02001	BODY MACHINED	1	77	07007-01993	CENTRE POLE MAGNET	1
31	71221-02002	BASE COVER	1	79	71221-20104	M5 X 19 COUNTERSUNK SCREW	1
33	71213-02051	TRIGGER	1	80	07002-00098	M5 NYLOC NUT	1
34	71210-02009	VALVE SEAT	1	90	07003-00274	LIP SEAL	3
36	71223-02121	HEAD PISTON	1	91	07490-03002	SPRING	1
37	71221-02008	CYLINDER LINER	1	96	07003-00268	'O' RING	1
38	71210-02013	ROTARY VALVE	1	97	07003-00398	'O' RING	2
39	71210-02014	CLAMP NUT	1	98	07003-00042	'O' RING	1
40	71210-02103	LOCKNUT	1	99	71210-03401	VALVE BODY	1
41	71210-02101	JAW SPREADER HOUSING	1	100	07007-01503	LABEL BOOK SYMBOL	1
42	71220-02102	VACUUM SLEEVE	1	103	07900-00930	TOOL INSTRUCTION MANUAL (NOT SHOWN)	1
43	71210-02019	SEAL RETAINER	1	105	07900-00849	NOSE EQUIPMENT SPANNER (NOT SHOWN)	1
44	71213-02010	TOP PLATE ASSEMBLY	1	106	07900-00890	SEAL KIT DATA SHEET (NOT SHOWN)	1
45	71210-02022	SUSPENSION RING	1	107	71213-05101	STEM DEFLECTOR	1
46	71210-02024	TRIGGER PIN	1	108	71213-03001	WARNING LABEL	1
			2	109	71210-03402	VALVE SPOOL	1

Stem Collector Bottles Removable and Fixed

71223 Tool Removable



71224 Tool Fixed

