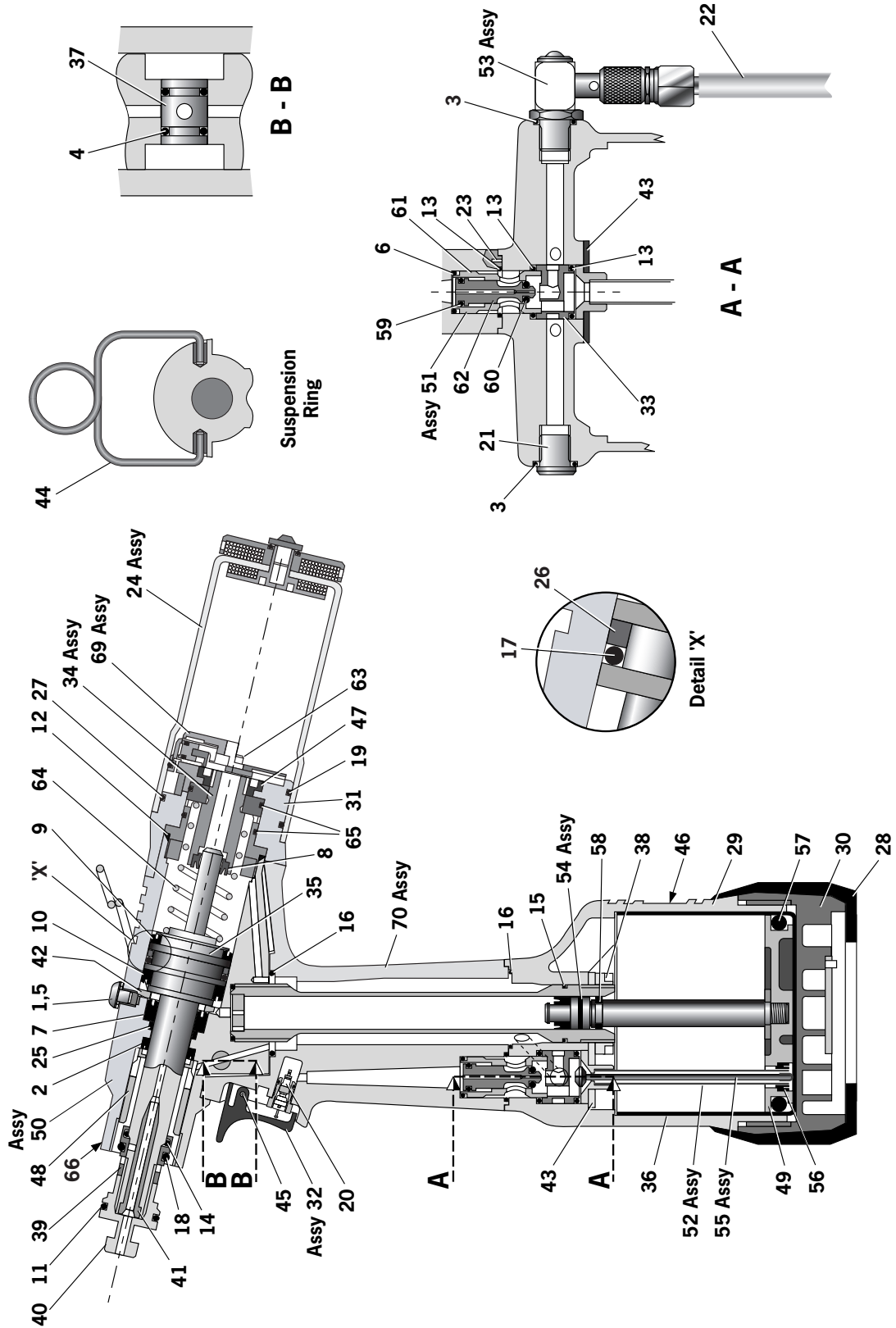


General Assembly of Base Tool 71203-02000



Parts List for 71203-02000

71203-02000 PARTS LIST							* These are minimum recommended levels of spares based on regular servicing		
ITEM	PART N°	DESCRIPTION	QTY	SPARES	ITEM	PART N°	DESCRIPTION	QTY	SPARES
01	07001-00405	M5x5 HEX SOCKET BUTTON HD SCREW	1		42	71210-02019	SEAL RETAINER	1	
02	07003-00333	LIP SEAL	1		43	71200-02021	CLAMP PLATE	1	
03	07003-00127	'O' RING	1		44	71210-02022	SUSPENSION RING	1	
04	07003-00189	'O' RING	2		45	71210-02024	TRIGGER PIN	1	
05	07003-00194	M5 BONDED SEAL	1		46	71203-02027	LABEL	1	
06	07003-00271	'O' RING	1		47	71213-02028	RETAINING NUT	1	
07	07003-00273	LIP SEAL	1		48	71210-02104	SEAL HOUSING	1	
08	07003-00274	LIP SEAL	1		49	71201-03200	PNEUMATIC PISTON ASSEMBLY (ITEMS 56 TO 58)	1	
09	07003-00275	LIP SEAL	1		50	71213-03320	HEAD ASSEMBLY	1	
10	07003-00341	LIP SEAL	1		51	71210-03400	VALVE SPOOL ASSEMBLY (ITEMS 59 TO 62)	2	
11	07003-00277	'O' RING	1		52	71200-03600	TRANSFER TUBE ASSEMBLY	2	
12	07003-00278	'O' RING	1		53	71210-03700	ON/OFF VALVE ASSEMBLY	1	
13	07003-00281	'O' RING	3		54	71210-03800	INTENSIFIER SEAL ASSEMBLY	1	
14	07003-00204	'O' RING	1		55	71200-03500	VALVE ROD ASSEMBLY	1	
15	07003-00287	'O' RING	1		56	07003-00300	LIP SEAL	1	
16	07003-00288	'O' RING	2		57	07003-00293	'O' RING	1	
17	07003-00342	'O' RING	1		58	71210-03205	GUIDE RING	1	
18	07003-00310	'O' RING	1		59	07003-00042	'O' RING	1	
19	07003-00415	'O' RING	1		60	07003-00268	'O' RING	1	
20	07005-00088	TRIGGER VALVE	1		61	71210-03401	VALVE BODY	1	
21	07005-01274	1/8" BSP PLUG	1		62	71210-03402	VALVE SPOOL	1	
22	07008-00010	6" FLEXIBLE HOSE	1		63	07001-00677	SCREW	2	
23	07007-00224	3mm DIAx10mm SPIROL PIN	2		64	07490-03002	SPRING	1	
24	71213-03800	STEM COLLECTOR BOTTLE ASSEMBLY	1		65	07003-00398	'O' RING (SPIGOT)	2	
25	71213-02021	BEARING TAPE - PISTON ROD	1		66	07007-01503	LABEL BOOK SYMBOL	1	
26	71213-02022	BEARING TAPE - PISTON	1		67	07900-00849	NOSE EQUIPMENT SPANNER (NOT SHOWN)	1	
27	07003-00416	'O' RING	1		68	07900-00843	TOOL INSTRUCTION MANUAL	1	
28	71200-02055	RUBBER BOOT	2		69	71213-03900	STOP PLATE ASSEMBLY	1	
29	71203-02003	BODY MACHINED	1		70	71213-02013	HANDLE ASSEMBLY	1	
30	71200-02006	BASE COVER	1						
31	71213-03000	BOTTLE ADAPTOR ASSEMBLY	1						
32	71213-02008	TRIGGER ASSEMBLY	1						
33	71210-02009	VALVE SEAT	1						
34	71213-02025	END CAP ASSEMBLY	1						
35	71213-02121	HEAD PISTON	1						
36	71200-02012	CYLINDER LINER	1						
37	71213-02012	ROTARY VALVE	1						
38	71210-02014	CLAMP NUT	1						
39	71210-02103	LOCKNUT	1						
40	71213-02020	MALE T ADAPTOR	1						
41	71210-02102	VACUUM SLEEVE	1						