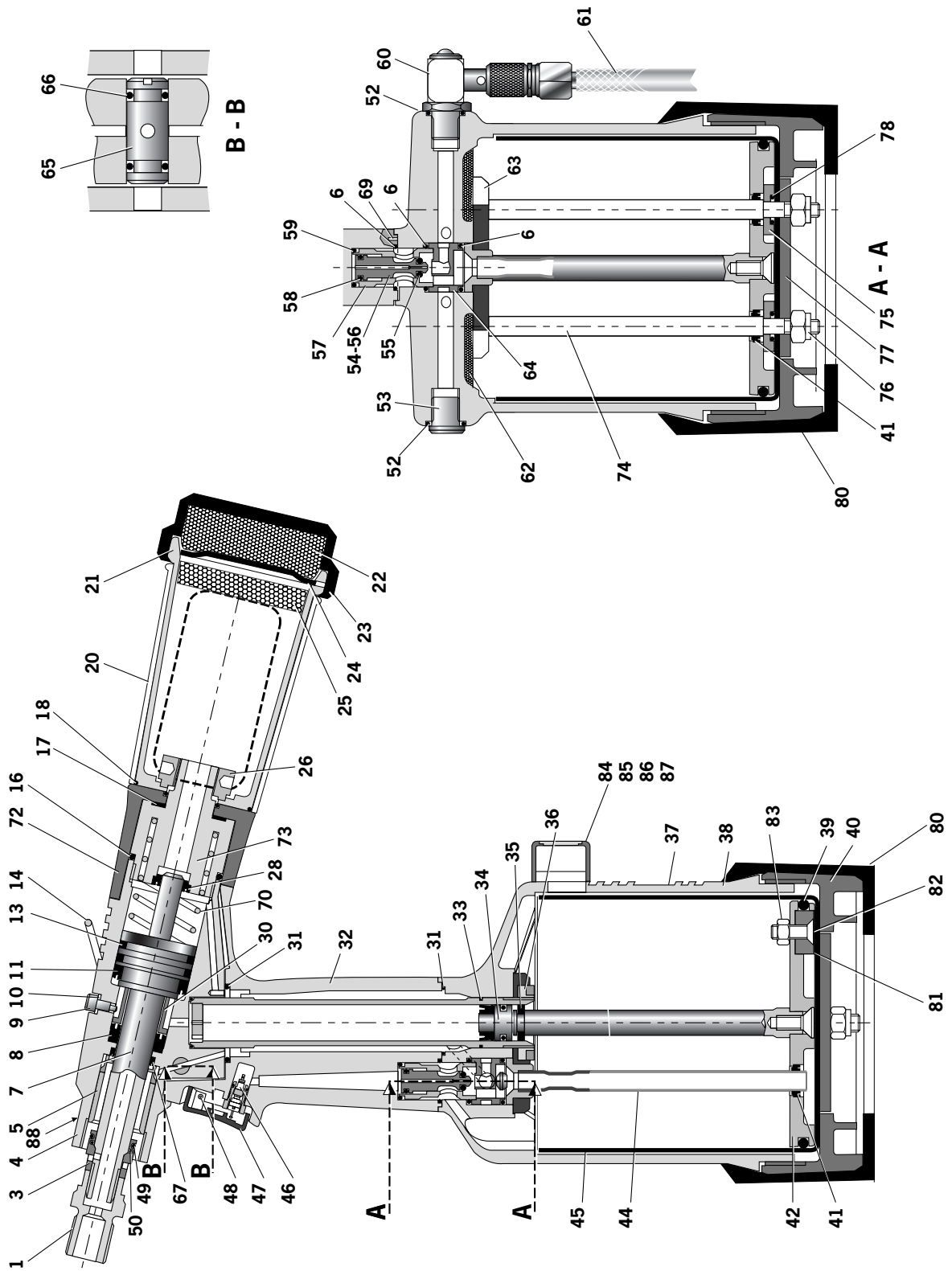


General Assembly of Base Tool 71255-02000



Parts List for 71255-02000

71255-02000 PARTS LIST									
* These are minimum recommended levels of spares based on regular servicing									
ITEM	PART N°	DESCRIPTION	QTY	SPARES	ITEM	PART N°	DESCRIPTION	QTY	SPARES
01	07610-00501	CHUCK COLLET ADAPTOR	1	1	48	71210-02024	TRIGGER PIN	1	2
03	71230-02015	LOCKNUT	1	-	49	07003-00310	'O' RING	2	1
04	71230-03300	HEAD ASSEMBLY	1	-	50	07003-00204	'O' RING	1	-
05	71210-02104	SEAL HOUSING	1	3	52	07003-00127	'O' RING	1	-
06	07003-00281	'O' RING	3	-	53	07005-01274	1/8" BSP PLUG	1	-
07	71231-02003	HEAD PISTON	1	1	54	71210-03400	VALVE SPOOL ASSEMBLY (55 to 58)	1	2
08	07003-00273	LIP SEAL	1	1	55	07003-00268	• 'O' RING	1	-
09	71230-02041	SCREW	1	2	56	71210-03402	• VALVE SPOOL	1	-
10	07003-00194	BONDED SEAL	1	1	57	71210-03401	• VALVE BODY	1	2
11	07003-00341	LIP SEAL	1	2	58	07003-00042	• 'O' RING	1	1
13	07003-00342	'O' RING	2	1	59	07003-00271	'O' RING	1	-
14	71210-02022	SUSPENSION RING	1	1	60	71210-03700	ON/OFF VALVE ASSEMBLY	1	-
16	07003-00278	'O' RING	1	1	61	07008-00010	6" FLEXIBLE HOSE	1	2
17	71210-02029	SEAL	1	1	62	71210-02031	SILENCER	2	-
18	07003-00311	'O' RING	1	-	63	71221-02003	TOP PLATE	1	1
20	07640-00239	STEM COLLECTOR OUTER #	1	-	64	71210-02009	VALVE SEAT	1	-
21	71210-02051	STEM COLLECTOR BODY #	1	1	65	71210-02013	ROTARY VALVE	1	2
22	07640-00244	SILENCER #	1	-	66	07003-00189	'O' RING	2	-
23	71210-02034	SILENCER CAP #	1	-	67	07003-00333	LIP SEAL	1	1
24	07340-00335	STEM COLLECTOR END CAP #	1	1	69	07007-00224	SPIROL PINS	2	-
25	71210-02035	SILENCER #	1	-	70	07490-03002	SPRING	1	-
26	71210-02028	RETAINING NUT	1	-	72	71403-02110	BOTTLE ADAPTOR ASSEMBLY	1	-
28	07003-00374	LIP SEAL	1	-	73	71231-02001	END CAP ASSEMBLY	1	-
30	71230-02019	SEAL RETAINER	1	-	74	71211-02004	TIE ROD	2	-
31	07003-00288	'O' RING	1	2	75	71221-02006	SEALING WASHER	2	-
32	71221-02013	HANDLE ASSEMBLY	2	1	76	07002-00108	M6 NYLOK NUT	2	-
33	07003-00287	'O' RING	1	1	77	71221-02005	BASE PLATE	1	-
34	71230-03800	INTENSIFIER SEAL ASSEMBLY	1	-	78	07003-00027	'O' RING	2	-
35	71230-03205	GUIDE RING	1	-	79	71221-02003	TOP PLATE	1	-
36	71210-02014	CLAMP NUT	1	1	80	71210-02055	RUBBER BOOT	1	-
37	71255-02027	LABEL	1	-	81	07007-01993	CENTRE POLE MAGNET	1	-
38	71211-02001	BODY	1	1	82	71221-20104	M5 X 19 COUNTERSUNK SCREW	1	-
39	07003-00280	'O' RING	1	-	83	07002-00098	M5 NYLOK NUT	1	-
40	71211-02002	BASE COVER	1	1	84	71221-20105	COUNTER	1	-
41	07003-00274	LIP SEAL	3	-	85	71221-20101	COUNTER MouldING	1	-
42	71255-03200	PNEUMATIC PISTON ASSEMBLY (INCLUDES 41/35/39)	1	-	86	71221-20102	SPECIAL M4 SCREW	2	-
44	71210-03600	TRANSFER TUBE ASSEMBLY	1	-	87	71221-20103	MOULD RETAINING NUT	2	-
45	71211-02008	CYLINDER LINER	1	-	88	07007-01503	LABEL BOOK SYMBOL	1	-
46	07005-00088	TRIGGER VALVE	1	-					
47	71210-02008	TRIGGER	1	-					

These items are also available as a complete kit. Part Number 71210-20400.