

(4) Description

Speed fastening system
Part No.: 7539-300X series

INTENDED PURPOSE

The 7239-300X series with the according noses and mandrels (→ section "Equipment") is designed for processing speed fasteners. For any ambiguity please call Avdel Deutschland GmbH (→ section "General data – Contact")

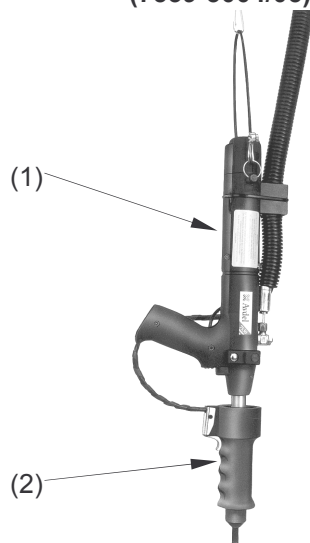


Any use of the machine other than that described above is considered not in accordance with the intended purpose!

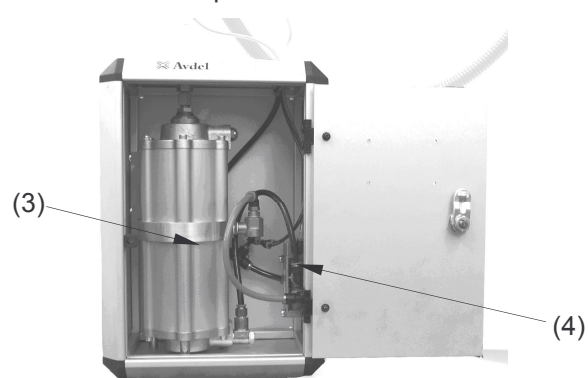
COMPONENTS

The 7539-300X consists of the following optional components:

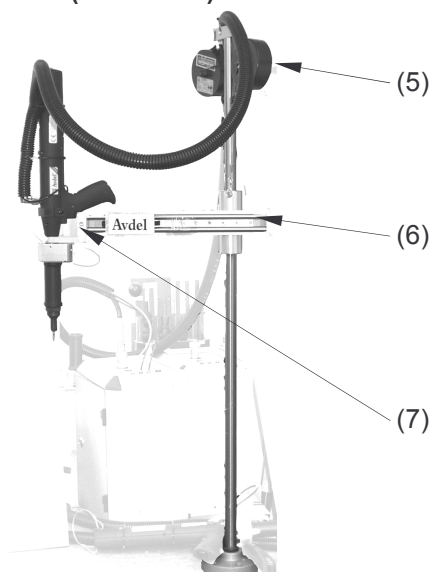
**Suspended tool
(7539-3004/05)**



**Supply unit (regular part)
with pressure intensifier**



**Tool stand workstation
(7539-3000)**



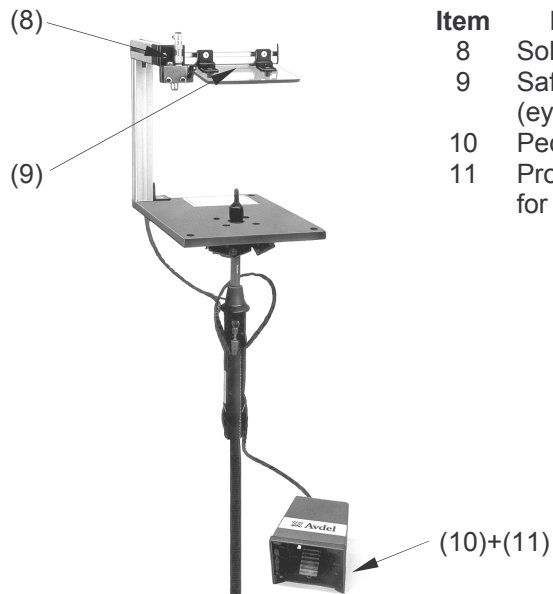
Item	Description	Part No.
1	Basic tool	07530-22000
2	Handle	78230-01217
3	Pressure intensifier	78230-01770
4	Pneumatic valve	78230-00026
5	Balancer	78230-00005
6	Tool stand	78230-01218
7	Tool holder	78230-01299

(4) Description

Speed fastening system
Part No.: 7539-300X series

COMPONENTS

**Underbench Workstation
(7539-3001)**



Item	Description	Part No.
8	Solenoid valve	RD02-1539
9	Safety device (eye protection)	-/-
10	Pedal valve	78230-01386
11	Protective cover for pedal valve	78230-01195

(6) Operation

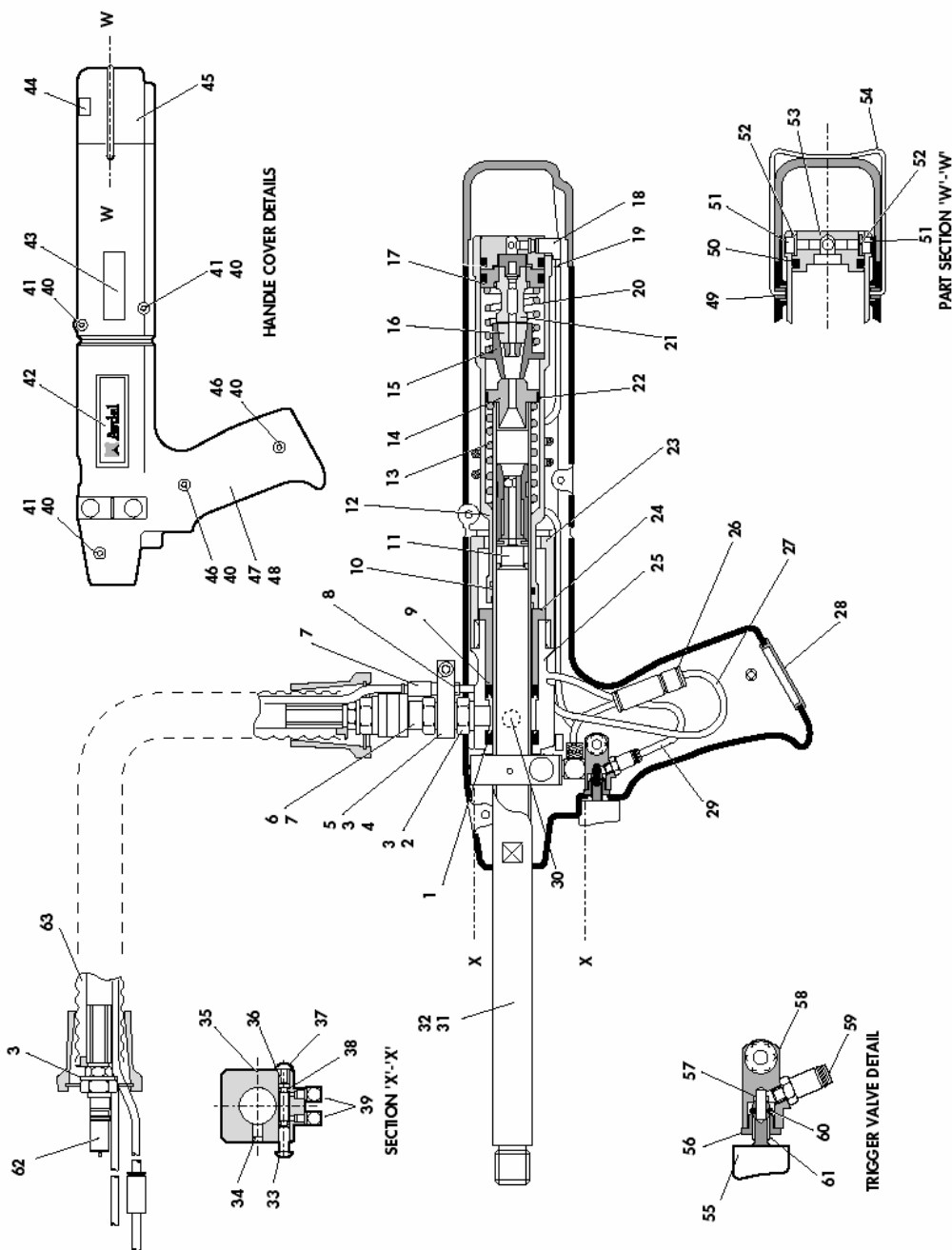
MAINTENANCE / REPAIR



The machine must be secured against being switched back on before any maintenance or repair work is carried out!



Any maintenance or repair work must be done by specialized and introduced staff!



(6) Operation

English

Speed fastening system
Part No.: 7539-300X series

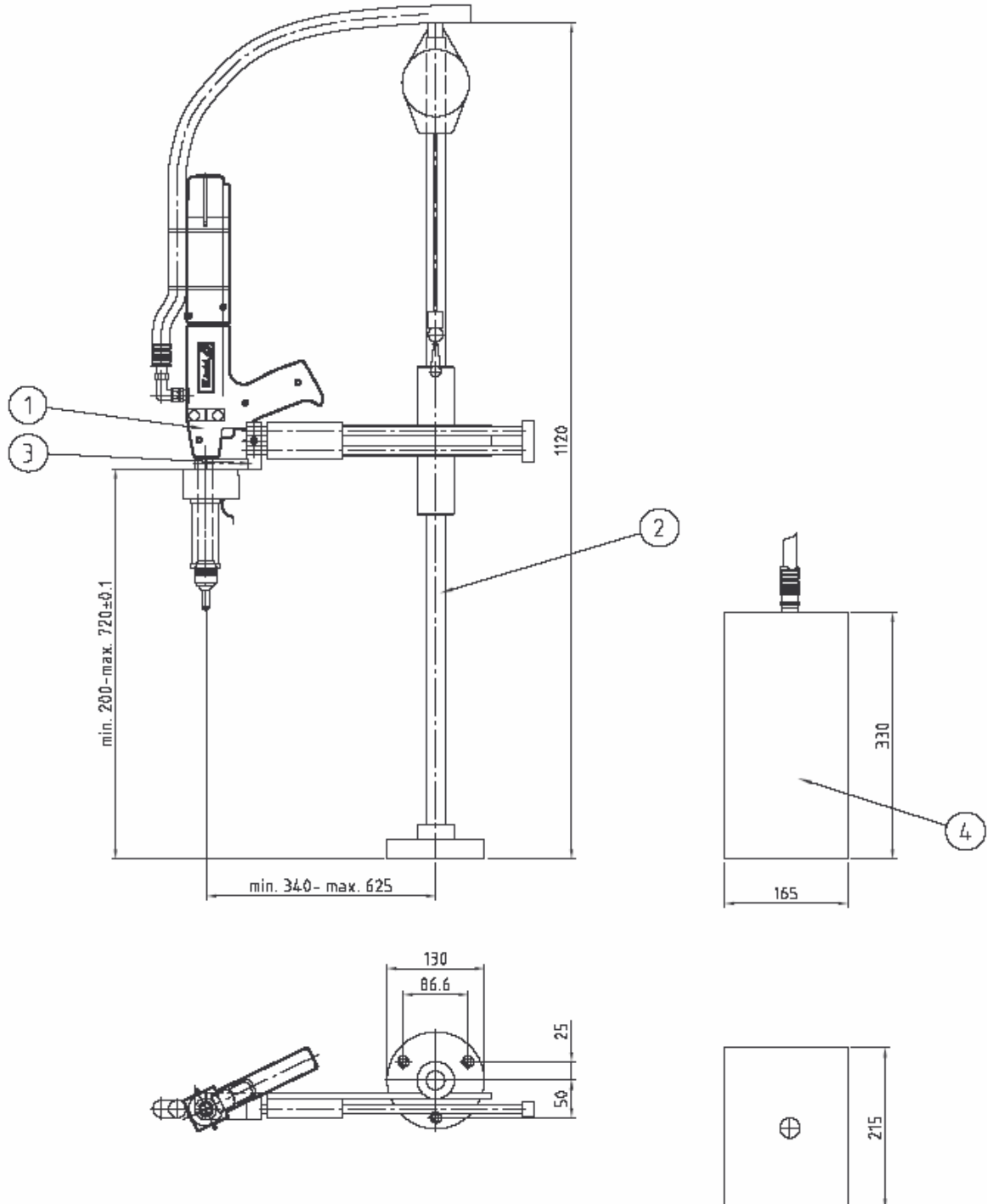
07532-02200 PARTS LIST

ITEM	PART N°	DESCRIPTION	QTY	SPARES	ITEM	PART N°	DESCRIPTION	QTY	SPARES
1	07003-00237	SEAL (STATIC)	1	-	33	07004-00058	1/8" STARLOCK WASHER CHROME	1	-
2	07532-00203	ADAPTOR TOP HOSE	1	-	34	07001-00404	M5 X 6 LONG SOCKET HEAD SCREW	1	-
3	07003-00142	1/8" BSP BONDED SEAL	4	-	35	07530-02301	SWITCH BLOCK	1	-
4	07532-02202	SUSPENSION MOUNTING PLATE	1	-	36	07530-02302	AIR TAIL JAW SPOOL	1	-
5	07532-00205	MODIFIED SCREW	1	-	37	07004-00059	1/8" STARLOCK WASHER BLACK	1	-
6	07005-00759	SELF CLOSING COUPLER	1	-	38	07003-00121	'O' RING	2	-
7	07005-01357	COLLET TYPE CONNECTOR	3	-	39	07005-01571	ELBOW CONNECTOR	2	-
8	07005-01325	BARBED STRAIGHT CONNECTOR	2	-	40	07002-00134	M4 HEX NUT	5	-
9	07003-00236	SEAL (DYNAMIC)	1	-	41	07001-00401	M4 X 10 LONG SOCKET HEAD CAP SCREW	3	-
10	07003-00167	'O' RING	1	-	42	07530-02210	LABEL	1	-
11	07271-01100	MECHANICAL CURSOR ASSEMBLY	1	-	43	07007-01504	CE MARK LABEL	1	-
12	07530-02207	TAIL JAW CYLINDER	1	-	44	07007-01503	BOOK SYMBOL LABEL	1	-
13	07490-03002	BARREL RETURN SPRING	1	-	45	07530-02603	END CAP	1	-
14	07530-02205	BARREL PLUG	1	-	46	07001-00262	M4 X 22 LONG SOCKET HEAD CAP SCREW	2	-
15	07530-00208	JAW HOUSING	1	-	47	07532-02208	MODIFIED HANDLE MOULDING (RIGHT)	1	-
16	07151-00403	JAWS	1	-	48	07532-02209	MODIFIED HANDLE MOULDING (LEFT)	1	-
17	07003-00113	'O' RING	1	-	49	01810-02136	BRIV RIVET	2	-
18	07005-01972	L TYPE THREADED NIPPLE	1	-	50	07003-00113	'O' RING	1	-
19	07530-02211	AIR TAIL JAW CONCERTINA TUBE	1	-	51	07005-01504	M4 X 6 LONG SOCKET HEAD CAP SCREW	2	-
20	07154-00404	SPRING	1	-	52	07002-00153	M4 WASHER PLASTIC	2	-
21	07530-02800	TAIL JAW PISTON ASSEMBLY	1	-	53	07530-02213	REAR PLUG	1	-
22	07530-00206	RUBBING STRIP	1	-	54	07530-02220	CLIP	1	-
23	07530-00204	STROKE LIMITER	1	-	55	07007-00300	TRIGGER BUTTON	1	-
24	07530-00203	PISTON	1	-	56	07220-00803	RETAINER	1	-
25	07530-02202	BODY	1	-	57	07125-00215	SPRING	1	-
26	07005-01973	NON-RETURN VALVE	1	-	58	07530-02311	TRIGGER HOUSING	1	-
27	07005-01083	4mm O/D BLACK PLASTIC TUBE	A/R	-	59	07005-01357	COLLET TYPE CONNECTOR	1	-
28	07532-02215	SEALING PLUG	1	-	60	07003-00022	'O' RING	1	-
29	07005-01084	4mm O/D BLACK PLASTIC TUBE	A/R	-	61	07241-00208	SPINDLE	1	-
30	07530-00500	BLEED PLUG ASSEMBLY	1	-	62	07005-00760	QUICK RELEASE NIPPLE	1	-
31	07530-02201	BARREL	1	-	63	07008-00414	HYDRAULIC HOSE ASSEMBLY	1	-
32	07007-00017	DUST CAP	1	-					

(10) Machine plans

Speed fastening system
Part No.: 7539-300X series

07539-30000



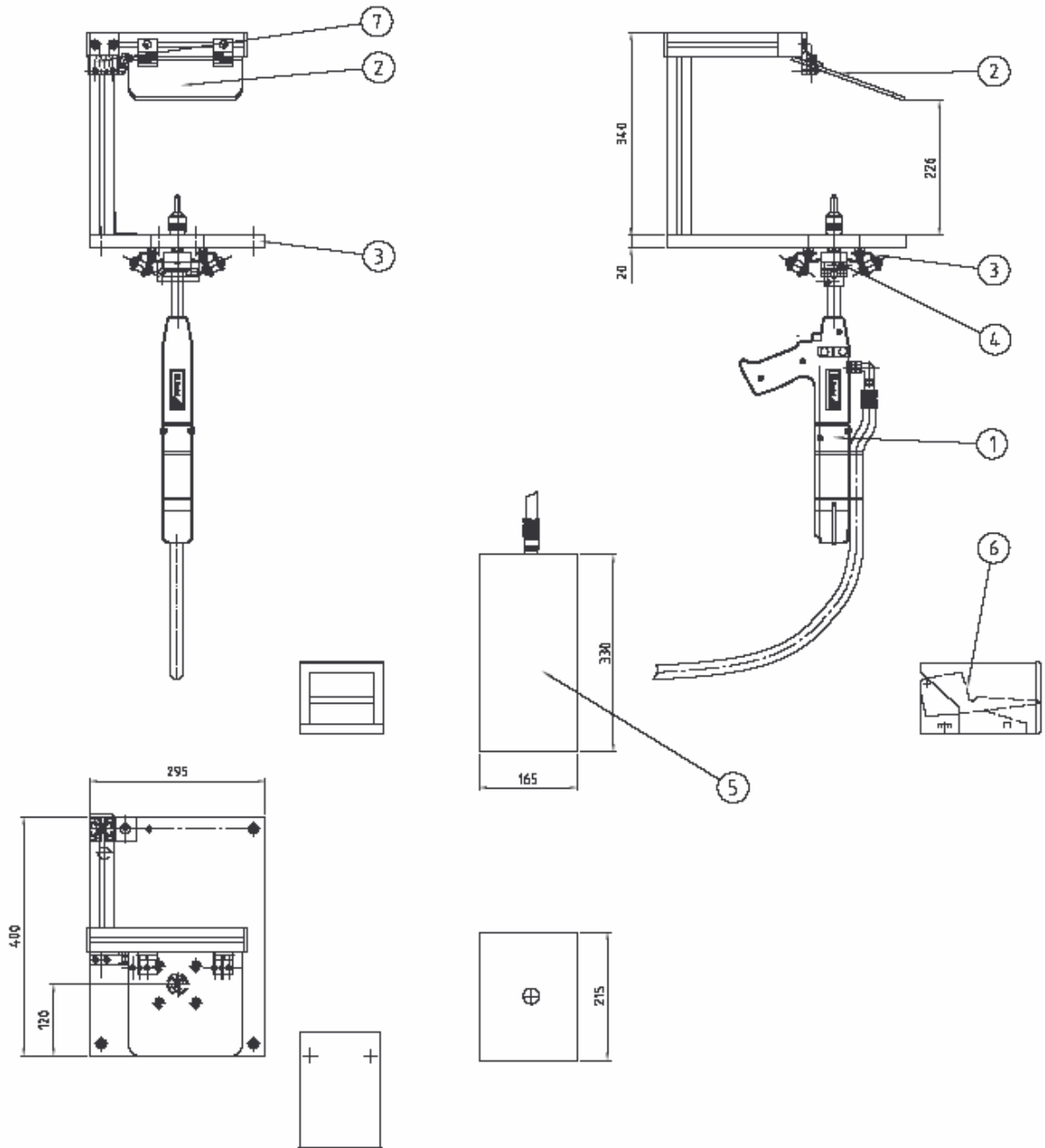
Parts list 07539-30000

Item	Description	Part no.
1	Tool 7530	78201-010019
2	Tool stand	ORD02-20330
3	Tool holder	78230-01299
4	Box for Intensifier	78201-010018

(10) Machine plans

Speed fastening system
Part No.: 7539-300X series

07539-30010



(10) Machine plans

English

Speed fastening system
Part No.: 7539-300X series

Parts list 07539-30010

Item	Description	Part no.
1	Tool 7530	78201-010023
2	Safety device	78201-010022
3	Desktop with holder	78201-010020
4	Slide bearing	78230-00081
5	Box for Intensifier	78201-010018
6	Pedal valve	78201-010021
7	Nonreturn valve	78230-01298