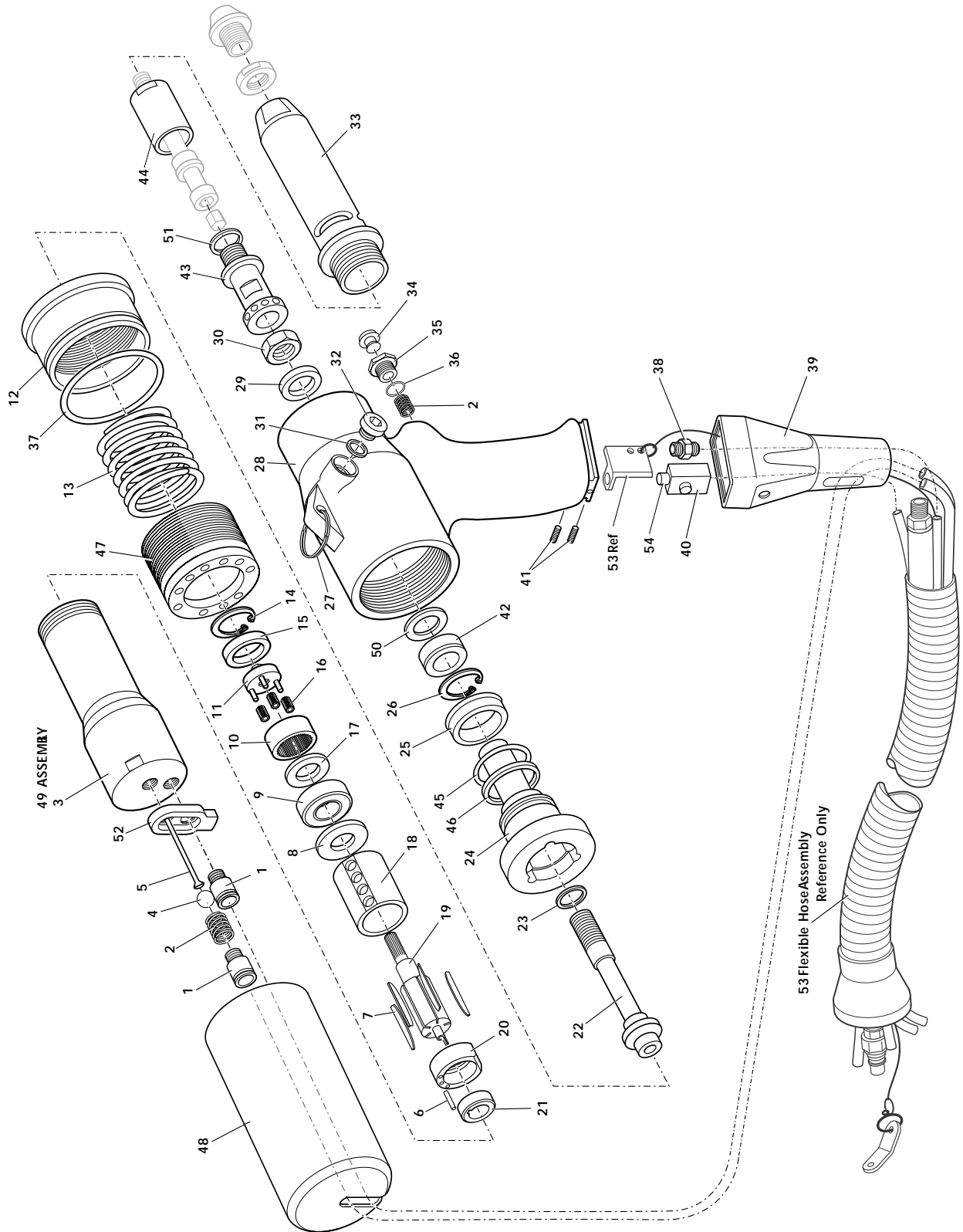


Head Assembly 74405-12000

General Assembly



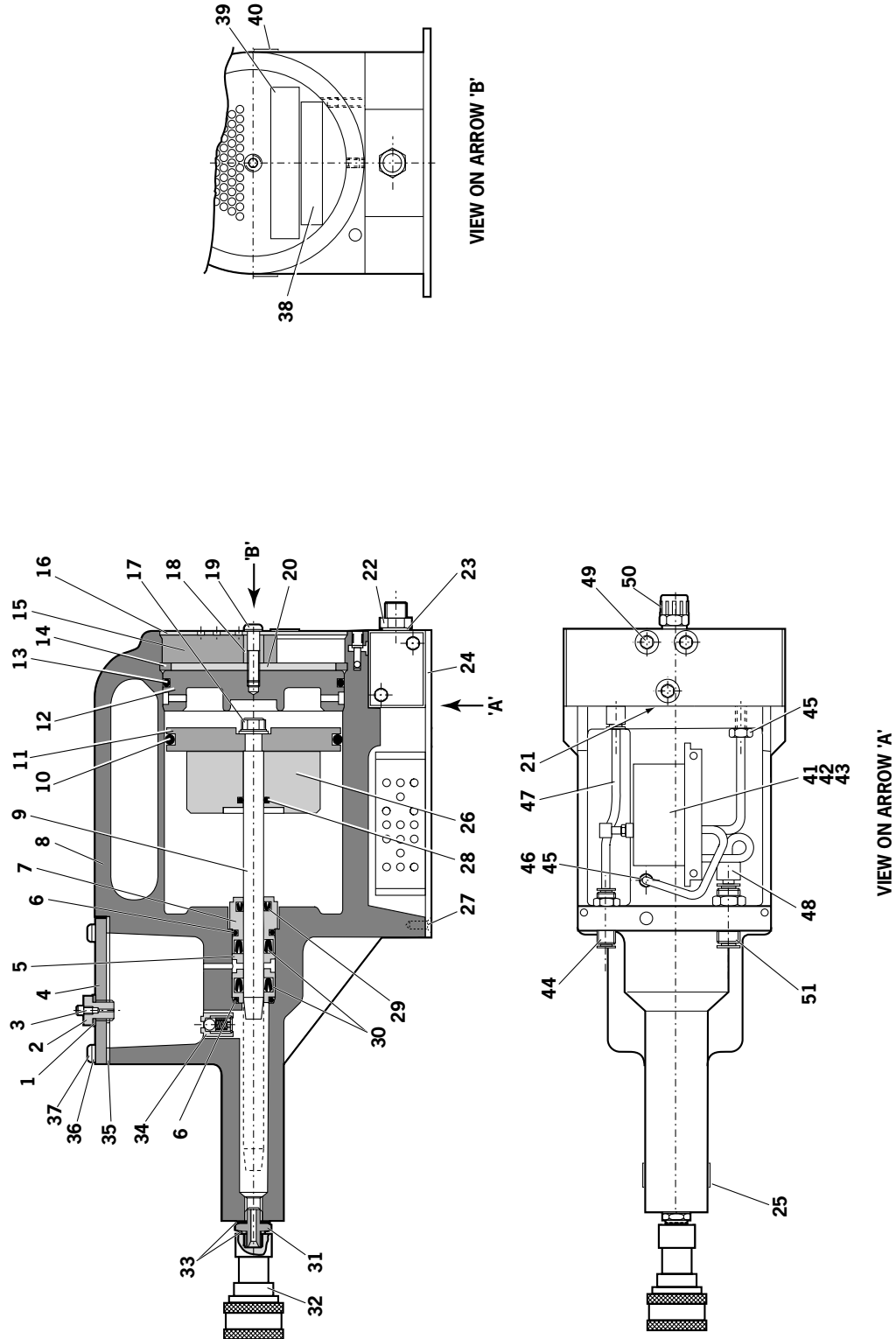
Head Assembly 74405-12000

Parts List

74405-12000 PARTS LIST							* These are minimum recommended levels of spares based on regular servicing		
ITEM	PART N°	DESCRIPTION	QTY	SPARES*	ITEM	PART N°	DESCRIPTION	QTY	SPARES*
01	07655-09220	CENTRE CONNECTOR	2	-	28	74405-12001	HANDLE - MACHINED	1	-
02	07555-09219	SPRING	2	-	29	74405-12054	SPACER	1	-
03	74401-12046	AIR MOTOR CASING	1	-	30	07655-00803	LOCKNUT	1	-
04	07555-09218	BALL	1	-	31	07265-02011	OIL SEAL WASHER	1	-
05	74401-12047	PUSHROD	1	1	32	07265-02010	BLEED SCREW	1	1
06	07555-09216	PIN	1	-	33	74405-12027	NOSE CASING	1	-
07	07555-09213	ROTOR BLADE	5	5	34	07265-03023	TRIGGER	1	-
08	07555-09210	FRONT END PLATE	1	-	35	07265-03022	LOCK NUT	1	-
09	07555-09206	BEARING	1	-	36	07555-00502	O' RING	1	-
10	74200-12065	PLANET GEAR	1	-	37	07003-00391	O' RING	1	-
11	74200-12063	PLANET GEAR SPINDLE	1	-	38	07005-01951	AIR CONNECTOR 4mm	1	-
12	74405-12003	STROKE ADJUSTMENT LOCK NUT	1	-	39	74401-12008	SLEEVE	1	-
13	74401-12025	SPRING	1	-	40	74405-12057	AUXILIARY SPIN OFF BUTTON	1	-
14	74200-12061	CIRCLIP	1	1	41	74401-12002	SCREW	2	-
15	74200-12062	BEARING	1	-	42	07003-00273	LIP SEAL	1	1
16	07555-09208	PLANET	3	-	43	74200-12044	SPINDLE	1	-
17	74200-12066	SPACER	1	-	44	74200-12092	ADAPTOR NUT	1	-
18	07555-09211	STATOR	1	-	45	07003-00342	O' RING	1	-
19	74200-12070	ROTOR	1	-	46	71213-02022	BEARING TAPE	1	-
20	07555-09214	REAR END PLATE	1	-	47	74405-12002	ADJUSTMENT RING	1	-
21	07555-09215	BEARING	1	-	48	74405-12004	PROTECTIVE COVER	1	-
22	74405-12021	MOVEMENT PIVOT	1	-	49	74405-12030	AIR MOTOR ASSEMBLY	1	-
23	74200-12055	SHIM ADJUSTMENT RING	1	1	50	71213-02021	BEARING TAPE	1	-
24	74405-12020	PISTON	1	-	51	07003-00028	FRICTION RING	1	-
25	07003-00341	LIP SEAL	1	-	52	74405-12061	AIR MOTOR GUIDE	1	-
26	07265-02005	CIRCLIP	1	-	53	07008-00444	FLEXIBLE HOSE ASSEMBLY (REFERENCE ONLY)	1	-
27	07265-03021	SUSPENSION RING	1	-	54	74405-12056	BUTTON LOCATOR	1	-

Intensifier 74404-02000

General Assembly



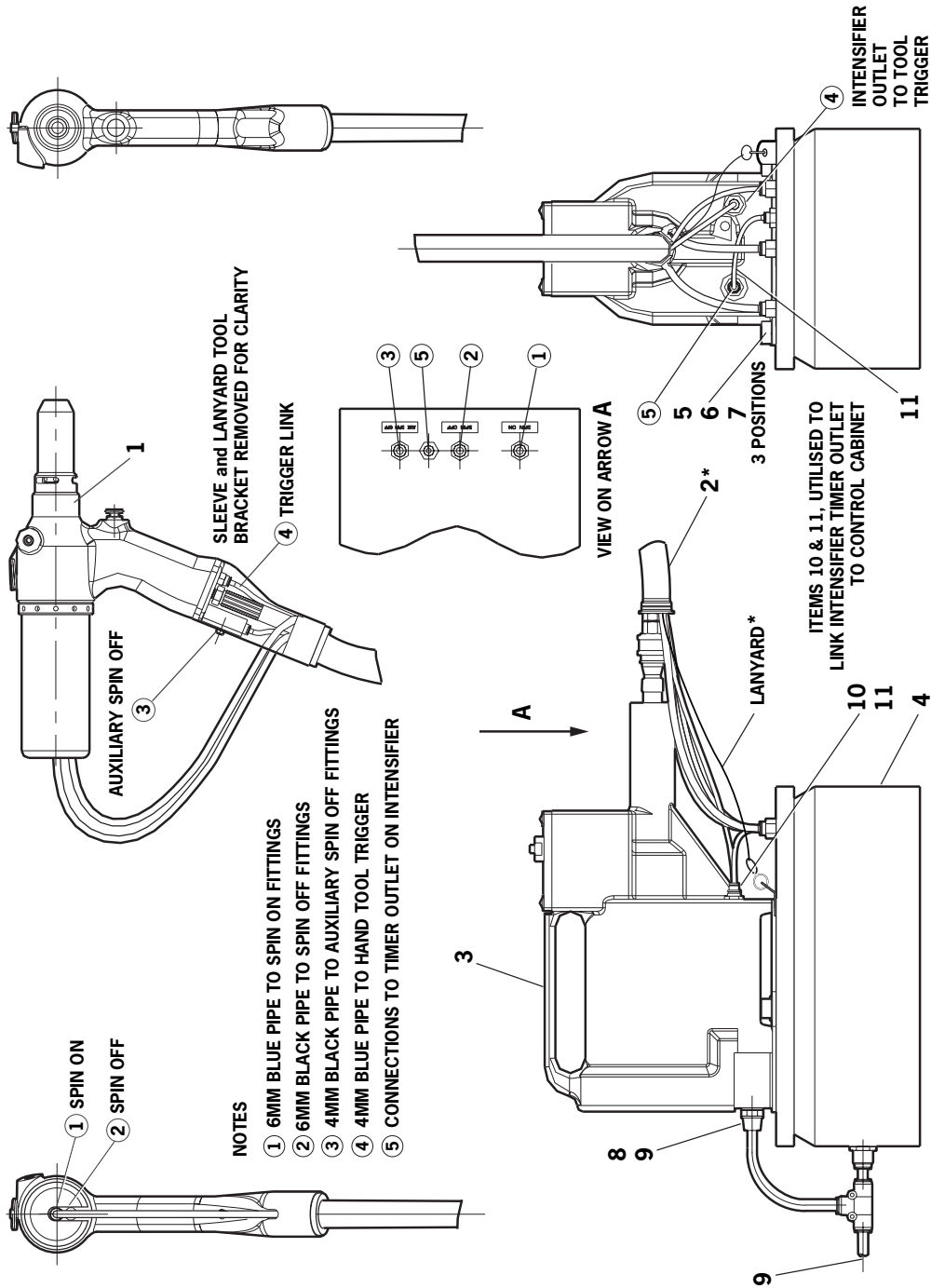
Intensifier 74404-02000

Parts List

74404-02000 PARTS LIST									
ITEM	PART N°	DESCRIPTION	QTY	SPARES	ITEM	PART N°	DESCRIPTION	QTY	SPARES
1	07003-00037	1/4" BSP DOWTY SEAL	1	1	27	07001-00396	M4 SCREW COUNTERSUNK	4	-
2	07240-00211	FILLER SCREW	1	-	28	07008-00181	'O' RING	1	-
3	07001-00418	M4 BLEED SCREW SOCKET HD	1	1	29	07003-00337	LIP SEAL	1	1
4	07240-00210	COVER PLATE	1	-	30	07003-00336	LIP SEAL	2	2
5	71420-02006	SEAL HOUSING	1	-	31	07005-00406	CONNECTOR	1	-
6	07003-00153	'O' RING	2	-	32	07005-00759	QUICK RELEASE CONNECTOR	1	-
7	71420-02007	SEAL PLUG	1	-	33	07003-00142	BONDED SEAL	2	1
8	71420-02300	BODY ASSEMBLY	1	-	34	07240-00400	VALVE HOUSING ASSEMBLY	1	-
9	71420-02008	PISTON ROD	1	-	35	07240-00209	GASKET	1	1
10	07003-00182	'O' RING	1	1	36	07002-00073	WASHER	4	1
11	07240-00206	AIR PISTON	1	-	37	07001-00554	10-24 UNC SCREW BUTTON HD	4	1
12	07240-00207	END COVER	1	-	38	07007-01504	CE LABEL	1	-
13	07003-00183	'O' RING	1	1	39	07240-00217	LABEL	1	-
14	07004-00069	RETAINING RING	1	1	40	74404-02010	LABEL	2	-
15	07240-00213	FOAM SILENCER	1	1	41	07005-01976	TIMING VALVE	1	-
16	07240-00214	SILENCER COVER	1	-	42	07001-00248	M4 SCREW COUNTERSUNK	2	-
17	07002-00017	NUT	1	1	43	07002-00123	M4 NUT	2	1
18	07240-00215	SPACER	1	-	44	07005-01431	BULKHEAD CONNECTOR	1	1
19	07001-00417	M6 SCREW BUTTON HEAD	1	1	45	07005-00456	MALE HOSE CONNECTOR	2	-
20	07240-00216	RETAINING PLATE	1	-	46	07005-00591	3mm BLACK TUBE A/R	-	-
21	07005-01524	VALVE	1	-	47	07005-01084	4mm BLACK TUBE (110mm)	-	-
22	07005-00041	INLET CONNECTOR	1	-	48	07005-01977	CONNECTOR/REDUCING VALVE	1	-
23	07003-00065	SEALING WASHER	1	-	49	07001-00176	M6 SCREW CAP HEAD	3	-
24	07240-00220	PROTECTION PLATE	1	-	50	07007-00292	1/4" BSP REDCAP	1	-
25	07007-01503	BOOK MARK LABEL	1	-	51	07005-00855	BULKHEAD UNION	1	-
26	74404-02001	AIR PISTON SPACER	1	-					

Hand Tool 74405-01000

General Assembly and Parts List



74405-01000 PARTS LIST

ITEM	PART N°	DESCRIPTION	QTY	SPARES	ITEM	PART N°	DESCRIPTION	QTY	SPARES
1	74405-12000	THREADED INSERT HAND TOOL	1	-	7	07002-00105	M8 WASHER	3	-
2	07008-00444	FLEXIBLE HOSE ASSEMBLY	1	-	8	07005-10072	8MM TUBING x 2.5M	2	-
3	74404-02000	INTENSIFIER	1	-	9	07005-01573	MALE CONNECTOR 8MM TUBE	2	-
4	07007-02065	CONTROL SYSTEM	1	-	10	07005-01977	6MM TO 4MM REDUCER	1	-
5	74405-12080	MODIFIED M8 NUTSERT®	9	-	11	07005-01084	BLACK PLASTIC PIPE 4MM	1	-
6	07001-00469	M8x15 SOCKET CAP HD SCREW	3	-	12	07007-01424	TIE WRAP	1	-