

## OPERATING PROCEDURE

- Connect tool to air supply.
- Offer up insert, lip first to drive screw. A light pressure will start the motor and automatically thread the insert up against nose and stop.
- Insert fastener into application squarely.
- Fully depress trigger. This will both place insert into the application and reverse it off the drive screw.

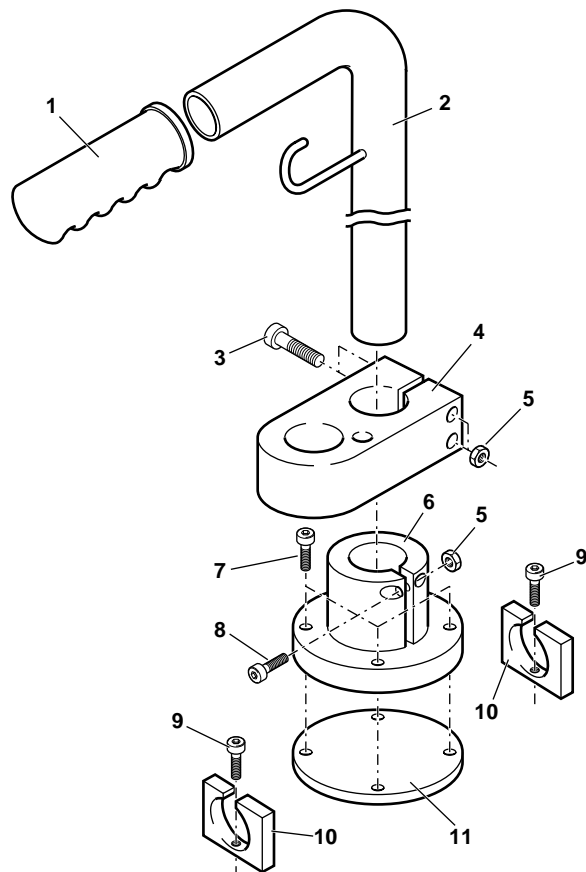
## ACCESSORIES

Two different accessories are available :

### COMBINED HANDLE & HOLSTER

Refer to the illustration opposite for details.

- Using the base 6 as a guide, spot through and drill four 5.5mm diameter holes in the position required on the cabinet lid.
- Place plate 12 on the inside of the cabinet lid.
- Place base 6 on the outside of the cabinet and using screws 7, screw the base / cabinet lid / and plate in position.
- Insert tube with hook 2 into the holster 4 and secure the holster 4 in position by tightening bolt 3 into nut 5.
- Insert tube and holster into base 6 and lock into position by tightening bolt 8 into bolt 5.
- Drill two 5.5mm holes, one at either end of the cabinet lid and secure clips 10 in position with 5mm bolts 9.



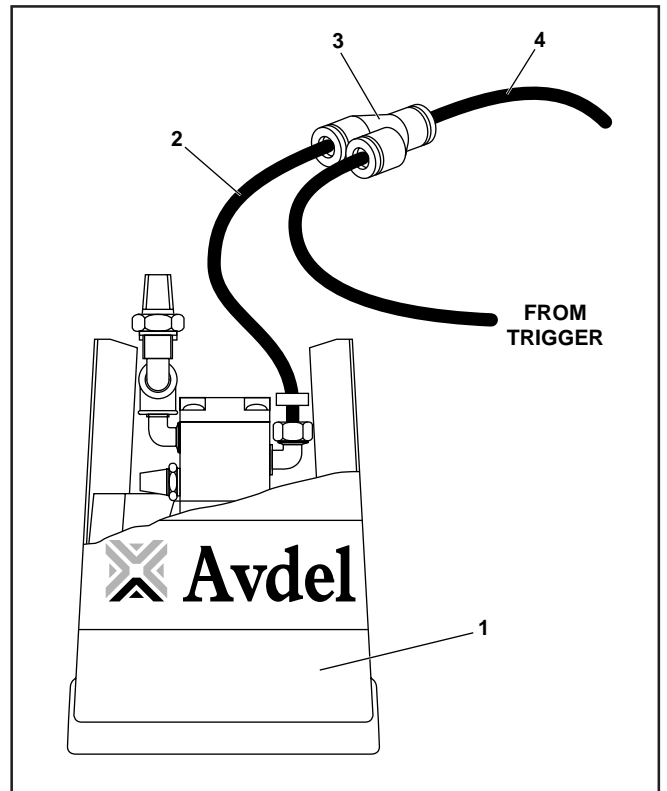
### 07265-09500 PARTS LIST

ITEM	PART N°	DESCRIPTION	QTY	SPARES
1	07265-09501	RUBBER HANDLE	1	-
2	07265-09502	TUBE WITH HOOK	1	-
3	07265-09504	M5 BOLTS	2	-
4	07265-09503	HOLSTER	1	-
5	07265-09505	M5 NUTS	3	-
6	07265-09508	BASE	1	-
7	07265-09507	M5 BOLT	4	-
8	07265-09506	M5 BOLT	1	-
9	07265-09512	M5 BOLT	2	-
10	07265-09511	CLIPS	2	-
11	07265-09509	PLATE	1	-

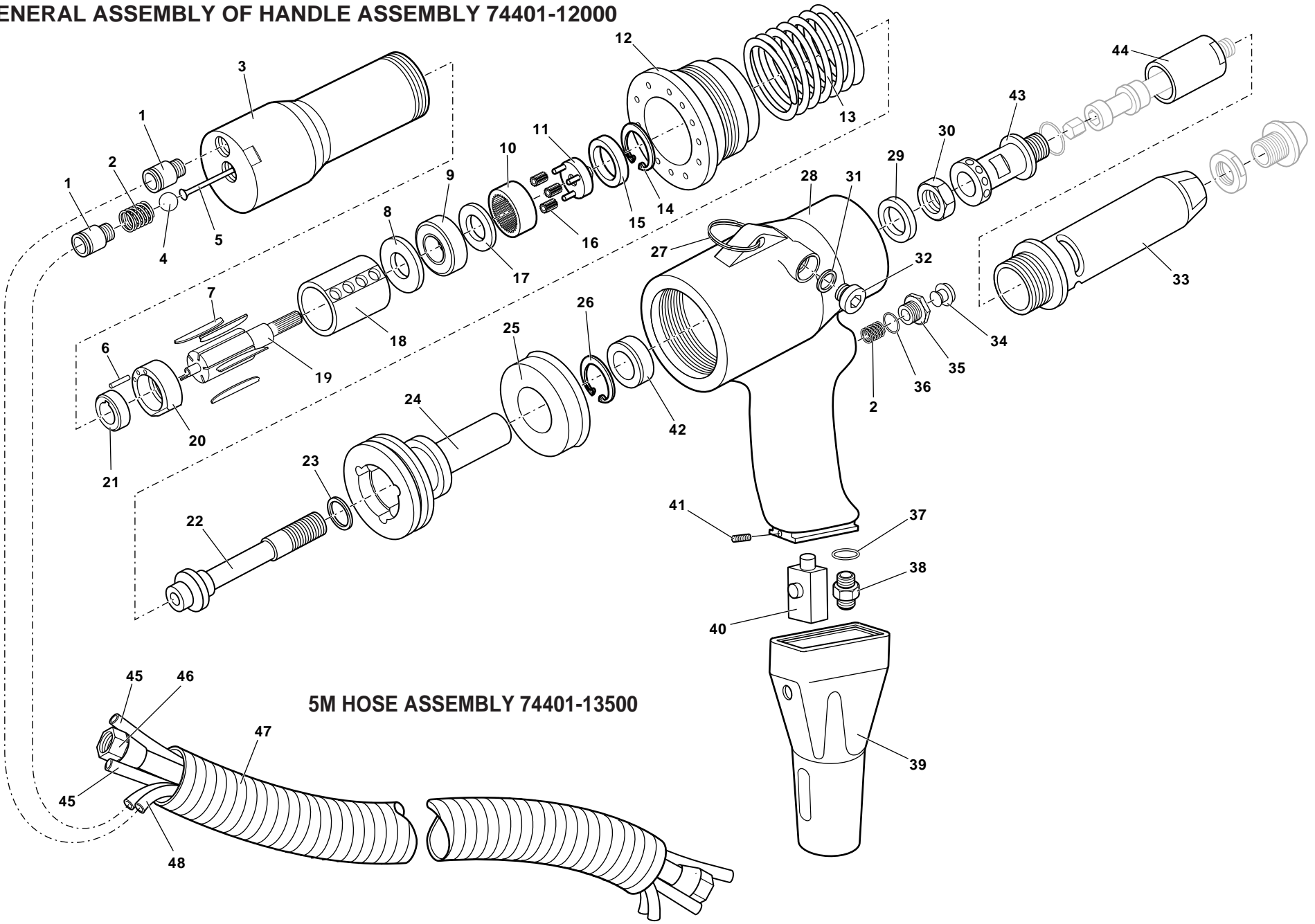
## CONNECTING THE FOOT PEDAL

- Please refer to the illustration for details.
- Disconnect the tool from the air supply.
- Open base **53**.
- Identify valve **27** connected to the air pressure regulator **48** (point F on GA, page 16).
- Disconnect the 4mm output hose which feeds the tool trigger (hose 68, page 18).
- Connect 4mm air hose **4** to valve **27**.
- Connect the Y connector to air hose **4**.
- To one side of the Y connector, connect the hose from the tool trigger.
- To the other side of the Y connector, connect air hose **2**.
- Connect air hose **2** to the foot pedal.
- Close base **53** and reconnect air supply.
- Tool can now be operated with the foot pedal or the trigger and the emergency spin-off button **44** is still operable.

74401-13800 PARTS LIST				
ITEM	PART N°	DESCRIPTION	QTY	SPARES
1	07005-00077	FOOT PEDAL	1	-
2	74401-13801	4mm AIR HOSE (1000mm)	1	-
3	74401-13027	'Y' CONNECTOR	1	-
4	74401-13095	4mm AIR HOSE (250mm)	1	-



14 GENERAL ASSEMBLY OF HANDLE ASSEMBLY 74401-12000



5M HOSE ASSEMBLY 74401-13500

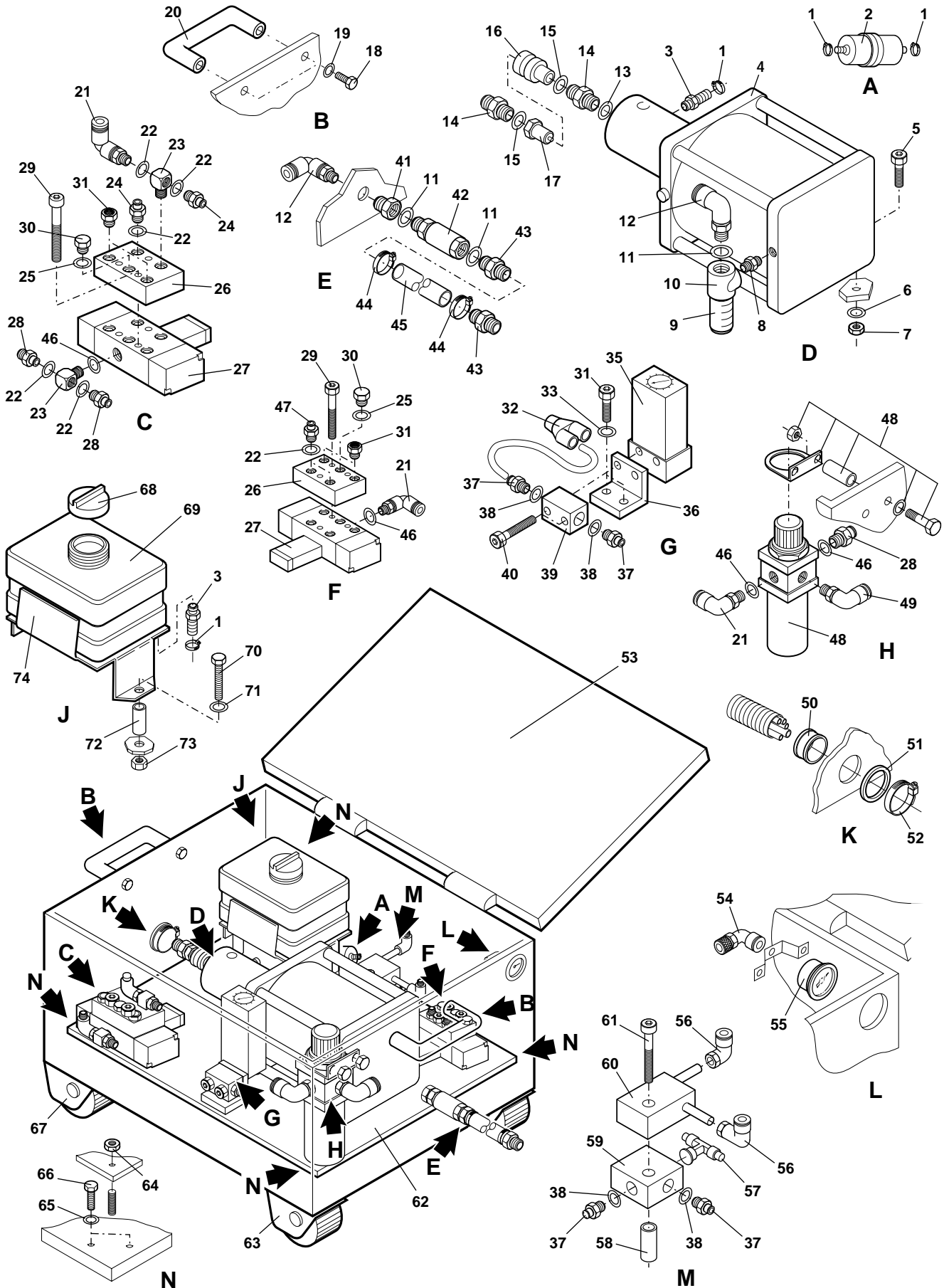
**74401-12000 PARTS LIST**

ITEM	PART N°	DESCRIPTION	QTY	REC. SPARES	ITEM	PART N°	DESCRIPTION	QTY	REC. SPARES
1	07655-09220	CONNECTOR	2	-	23	74200-12055	SHIM ADJUSTMENT RING	1	1
2	07555-09219	SPRING	2	-	24	74401-12020	PISTON	1	-
3	74401-12046	AIR MOTOR CASING	1	-	25	74401-12021	LIP SEAL	1	-
4	07555-09218	BALL	1	-	26	07265-02005	CIRCLIP	1	-
5	74401-12047	PUSH ROD	1	1	27	07265-03021	SUSPENSION RING	1	-
6	07555-09216	PIN	1	-	28	74401-12001	FORGED HANDLE	1	-
7	07555-09213	ROTOR BLADE	5	5	29	74401-12054	SPACER	1	-
8	07555-09210	FRONT END PLATE	1	-	30	07655-00803	LOCKNUT	1	-
9	07555-09206	BEARING	1	-	31	07265-02011	WASHER	1	-
10	74200-12065	PLANET GEAR	1	-	32	07265-02010	BLEED SCREW	1	1
11	74200-12063	PLANET GEAR SPINDLE	1	-	33	74401-12027	NOSE CASING	1	-
12	74401-12026	STROKE ADJUSTMENT LOCKNUT	1	-	34	07265-03023	TRIGGER	1	-
13	74401-12025	SPRING	1	-	35	07265-03022	LOCKNUT	1	-
14	74200-12061	CIRCLIP	1	1	36	07555-00502	'O' RING	1	-
15	74200-12062	BEARING	1	-	37	07265-02031	WASHER	1	-
16	07555-09208	PLANET	1	-	38	07265-02032	CONNECTOR	1	-
17	74200-12066	SPACER	1	-	39	74401-12008	SLEEVE	1	-
18	07555-09211	STATOR	1	-	40	74401-12003	EMERGENCY SPIN OFF BUTTON	1	-
19	74200-12070	ROTOR	1	-	41	74401-12002	SCREW	1	-
20	07555-09214	REAR END PLATE	1	-	42	07265-02004	LIP SEAL	1	1
21	07555-09215	BEARING	1	-	43	74200-12044	SPINDLE	1	-
22	74200-12056	MOVEMENT PIVOT	1	-	44	74200-12092	ADAPTOR NUT	1	1

**74401-13500 PARTS LIST**

ITEM	PART N°	DESCRIPTION	QTY	REC. SPARES	ITEM	PART N°	DESCRIPTION	QTY	REC. SPARES
45	07265-02063	AIR DELIVERY AND RETURN HOSE	2	-	47	07267-01502	SPIRAL PROTECTION SLEEVE	1	1
46	07265-02061	OIL HOSE	1	-	48	74401-12012	AIR HOSE	2	-

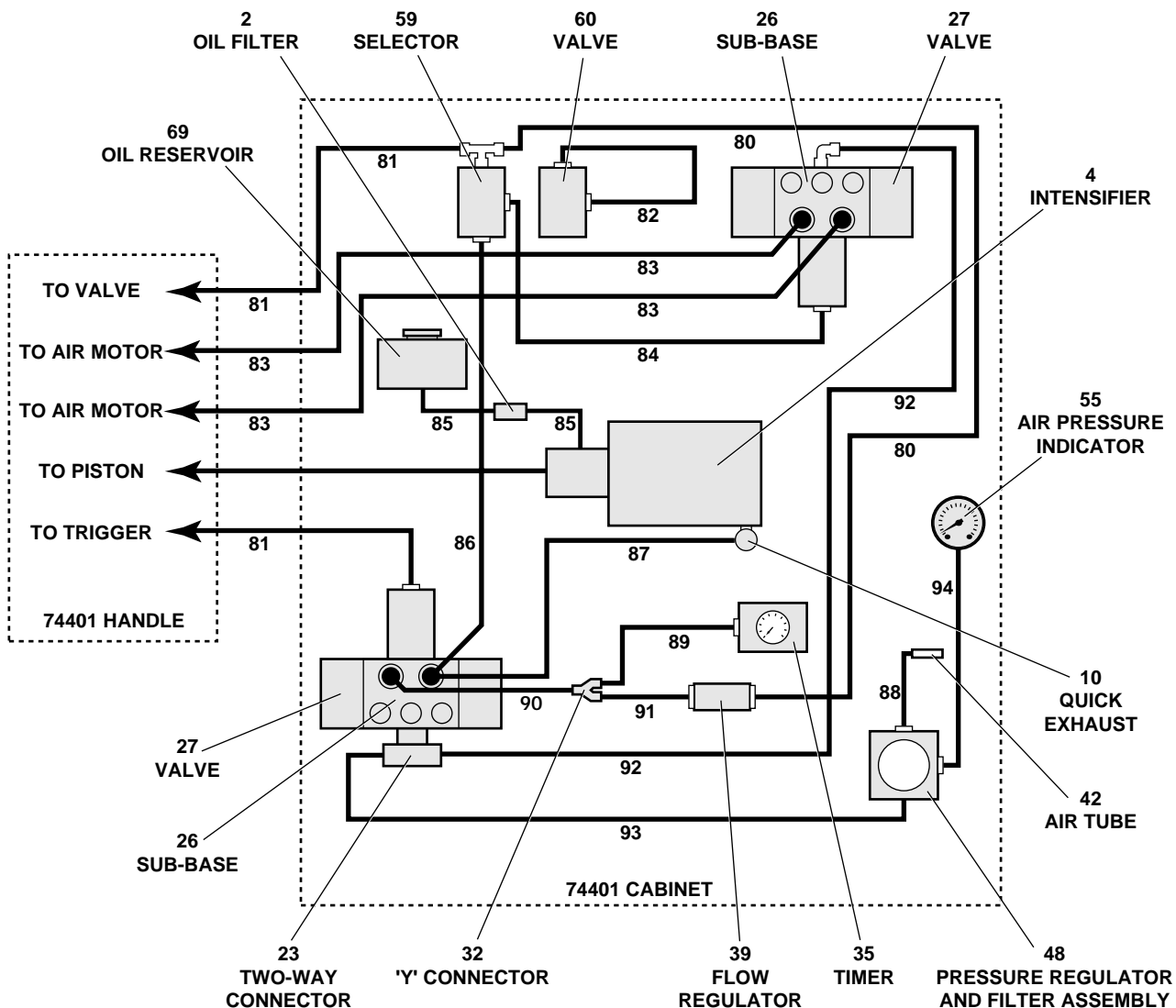
# GENERAL ASSEMBLY OF CABINET 74401-01300



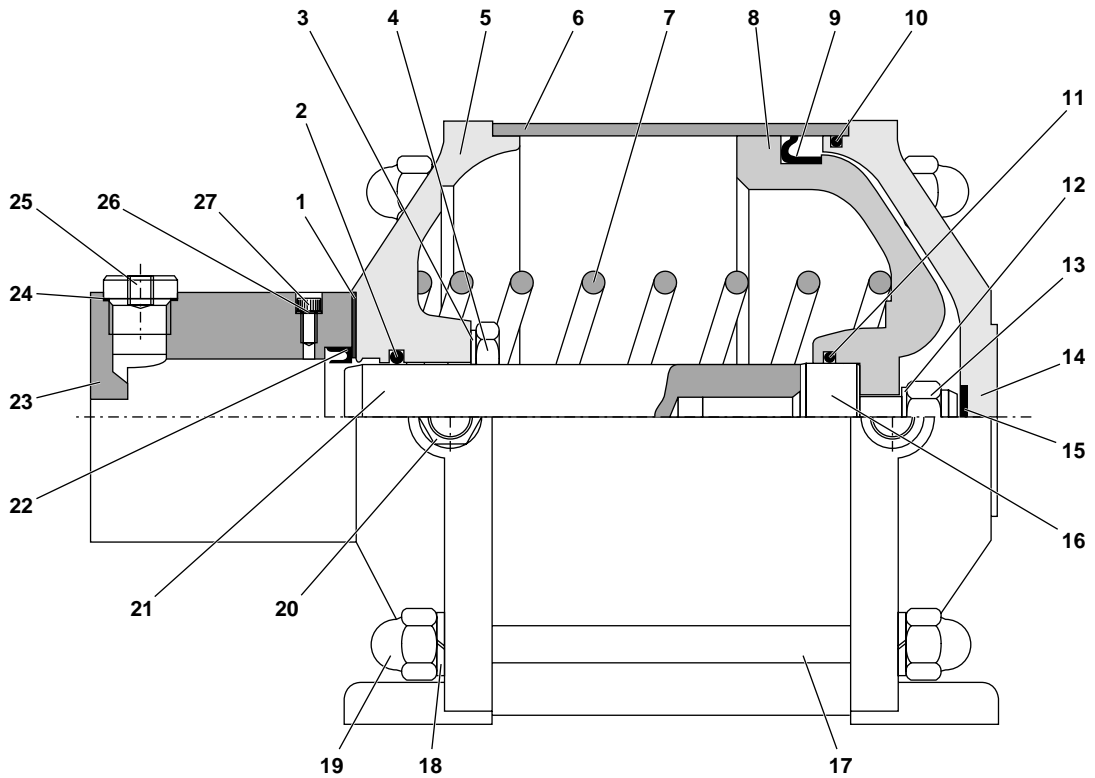
**74401-O1300 CABINET PARTS LIST**

ITEM	PART N°	DESCRIPTION	QTY	SPARES	ITEM	PART N°	DESCRIPTION	QTY	SPARES
1	07267-03211	CLAMP	4	-	46	74401-13080	WASHER	4	-
2	07267-03212	OIL FILTER	1	-	47	74401-13025	STRAIGHT CONNECTOR	2	-
3	07267-03210	HOSE CONNECTOR	2	-	48	07265-03220	PRESSURE REG & FILTER ASSY	1	-
4	07005-01652	INTENSIFIER	1	-	49	07265-03256	ELBOW CONNECTOR	1	-
5	07265-02267	BOLT	2	-	50	07267-03251	RUBBER RING	1	-
6	07625-02268	WASHER	2	-	51	07267-03252	SPACING WASHER	1	-
7	07265-02269	NUT	2	-	52	07265-03292	CLAMP	1	-
8	07265-03260	CONNECTOR	1	-	53	07265-03201	BOX (inc. Key)	1	-
9	07265-03263	SILENCER	1	-	54	07265-03255	ELBOW CONNECTOR	1	-
10	07265-03225	QUICK EXHAUST	1	-	55	07265-03254	AIR PRESSURE INDICATOR	1	-
11	07265-03261	WASHER	3	-	56	74401-13024	ELBOW CONNECTOR	2	-
12	07267-03262	ELBOW CONNECTOR	2	-	57	07265-03904	'T' CONNECTOR	1	-
13	07265-03259	WASHER	1	-	58	74401-13009	SPACER	1	-
14	07265-03258	CONNECTOR	2	-	59	74401-13021	SELECTOR	1	-
15	74401-13037	WASHER	2	-	60	74401-13022	VALVE	1	-
16	07265-02055	QUICK RELEASE CONNECTOR	1	-	61	74401-13020	SCREW	1	-
17	07265-02065	QUICK RELEASE NIPPLE	1	-	62	07265-03230	BASE PLATE	1	-
18	07265-02283	SCREW	4	-	63	07265-03203	FIXED WHEEL	2	-
19	07265-02284	WASHER	4	-	64	74401-13039	NUT	4	-
20	07265-03202	HANDLE	2	-	65	07265-03204	WASHER	8	-
21	74401-13004	ELBOW CONNECTOR	3	-	66	07265-03205	NUT	8	-
22	74401-13078	WASHER	7	-	67	07265-03207	SWIVELLING WHEEL	2	-
23	74401-13023	TWO WAY CONNECTOR	2	-	68	07267-03213	OIL RESERVOIR PLUG	1	-
24	07265-03269	STRAIGHT CONNECTOR	2	-	69	07267-03214	OIL RESERVOIR	1	-
25	07265-03268	WASHER	2	-	70	07267-03216	BOLT	2	-
26	07265-03222	SUB BASE	2	-	71	07267-03218	WASHER	2	-
27	07005-00590	VALVE	2	-	72	07267-03217	SPACER	2	-
28	07265-03271	STRAIGHT CONNECTOR	3	-	73	07267-03219	NUT	2	-
29	07265-03266	SCREW	3	-	74	07267-03215	OIL RESERVOIR BASE	1	-
30	07267-03208	PLUG	2	-	80	74401-13074	4mm AIR HOSE (550mm)	1	-
31	07265-03270	SILENCER	4	-	81	07265-02063	4mm AIR HOSE (5500mm)	2	-
32	74401-13027	'Y' CONNECTOR	1	-	82	74401-13072	4mm AIR HOSE (170mm)	1	-
33	74401-13082	WASHER	2	-	83	74401-12012	6mm AIR HOSE (5500mm)	2	-
34	07265-09507	SCREW	2	-	84	74401-13073	4mm AIR HOSE (250mm)	1	-
35	74401-13075	TIMER	1	-	85	74401-13065	9mm OIL HOSE (150mm)	2	-
36	74401-13076	BRACKET	1	-	86	74401-13093	4mm AIR HOSE (420mm)	1	-
37	74401-13026	STRAIGHT CONNECTOR	4	-	87	74401-13067	10mm AIR HOSE (300mm)	1	-
38	74401-13079	WASHER	4	-	88	07265-03215	10mm AIR HOSE (110mm)	1	-
39	74401-13099	FLOW REGULATOR	1	-	89	74401-13096	4mm AIR HOSE (60mm)	1	-
40	74401-13083	SCREW	2	-	90	74401-13095	4mm AIR HOSE (250mm)	1	-
41	07267-03263	BUSH	1	-	91	74401-13098	4mm AIR HOSE (200mm)	1	-
42	07267-03264	AIR TUBE	1	-	92	74401-13069	10mm AIR HOSE (670mm)	1	-
43	07265-03253	CONNECTOR	2	-	93	74401-13068	10mm AIR HOSE (320mm)	1	-
44	07265-02076	CLAMP	2	-	94	74401-13071	4mm AIR HOSE (260mm)	1	-
45	07265-03219	AIR HOSE (2500 mm)	1	-					

# PNEUMATIC DIAGRAM OF CABINET 74401-01300



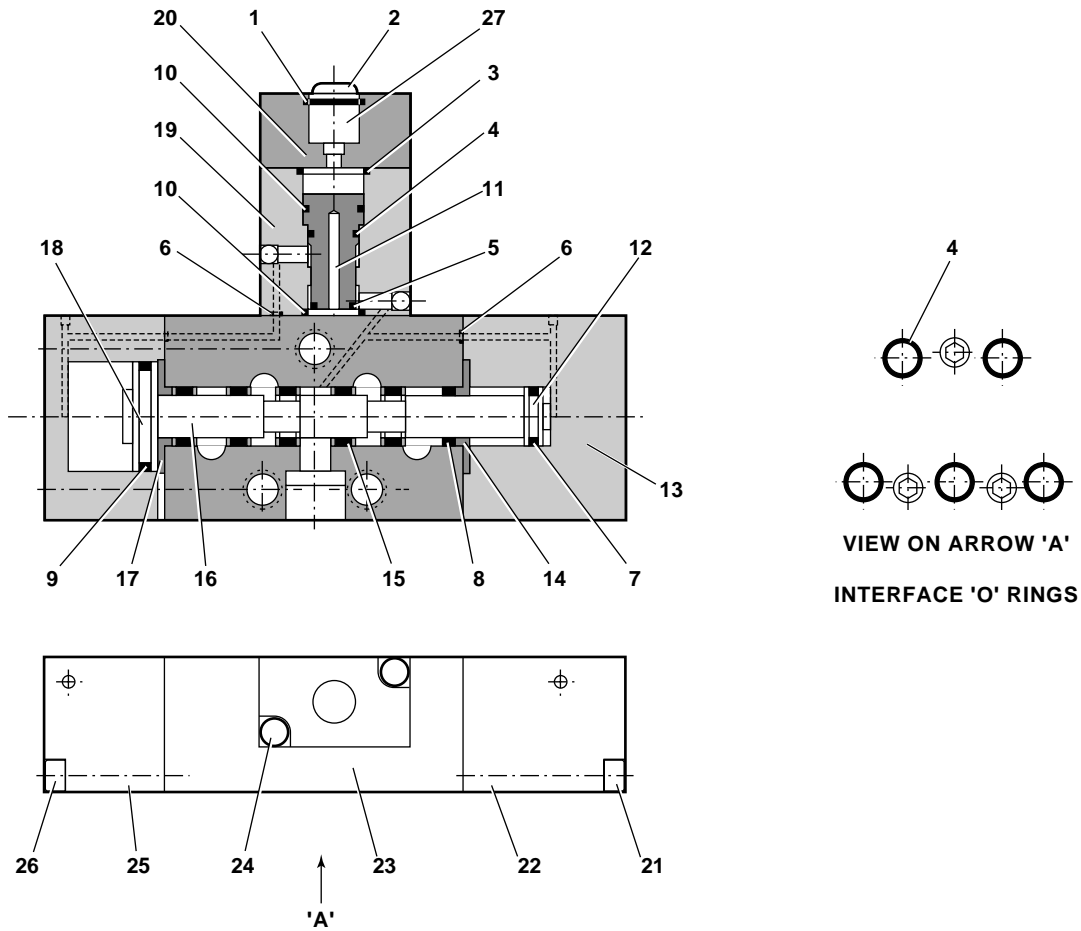
## GENERAL ASSEMBLY OF PULL INTENSIFIER 07005-01652



07005-01652 PULL INTENSIFIER PARTS LIST									
ITEM	PART N°	DESCRIPTION	QTY	SPARES	ITEM	PART N°	DESCRIPTION	QTY	SPARES
1	07267-08019	SEAL	4	-	15	07267-08035	SHOCK ABSORBER	1	-
2	07267-08004	SEAL	1	-	16	07267-08032	ROD EXTENSION	1	-
3	07267-08022	WASHER	4	-	17	07267-08014	TENSION ROD	4	-
4	07267-08006	SCREW	4	-	18	07267-08026	SPRING WASHER	8	-
5	07627-08007	FRONT FLANGE	1	-	19	07267-08013	BLIND NUT	8	-
6	07267-08017	PNEUMATIC CYLINDER	1	-	20	07267-08033	FILTER	1	-
7	07267-08008	SPRING	1	-	21	07267-08009	ROD	1	-
8	07267-08010	PISTON	1	-	22	07267-08003	SEAL	1	-
9	07267-08011	PISTON SEAL	1	-	23	07267-08002	STEEL HEAD	1	-
10	07267-08012	SEAL	1	-	24	07267-08030	WASHER	1	-
11	07267-08020	SEAL	1	-	25	07267-08029	PLUG	1	-
12	07267-08031	WASHER	1	-	26	07267-08034	WASHER	1	-
13	07267-08015	LOCKNUT	1	-	27	07267-08021	BLEED SCREW	1	-
14	07267-08016	REAR FLANGE	1	-					



# GENERAL ASSEMBLY OF VALVE 07005-00590



07005-00590 VALVE PARTS LIST									
ITEM	PART N°	DESCRIPTION	QTY	SPARES	ITEM	PART N°	DESCRIPTION	QTY	SPARES
1	07005-00599	* 'O' RING	-	-	15	-	SPACER	5	-
2	07005-00598	* PLASTIC COLLET	-	-	16	-	SPOOL	1	-
3	07003-00204	* 'O' RING	1	-	17	-	WASHER	1	-
4	07003-00103	* 'O' RING	6	-	18	-	PISTON	1	-
5	07003-00042	* 'O' RING	1	-	19	-	BODY	1	-
6	07003-00121	* 'O' RING	4	-	20	-	TOP CAP	1	-
7	08005-00127	* 'O' RING	1	-	21	-	SCREW	2	-
8	07003-00105	* 'O' RING	6	-	22	-	END CAP	1	-
9	07003-00178	* 'O' RING	1	-	23	-	BODY	1	-
10	07003-00017	* 'O' RING	2	-	24	-	SCREW	2	-
11	-	PISTON	1	-	25	-	END CAP	1	-
12	-	PISTON	1	-	26	-	SCREW	2	-
13	07005-00590	VALVE ASSEMBLY	-	-	27	-	CARTRIDGE	1	-
14	-	WASHER	1	-					

\* SPARES KIT ( PART NO. 07005-01538 )