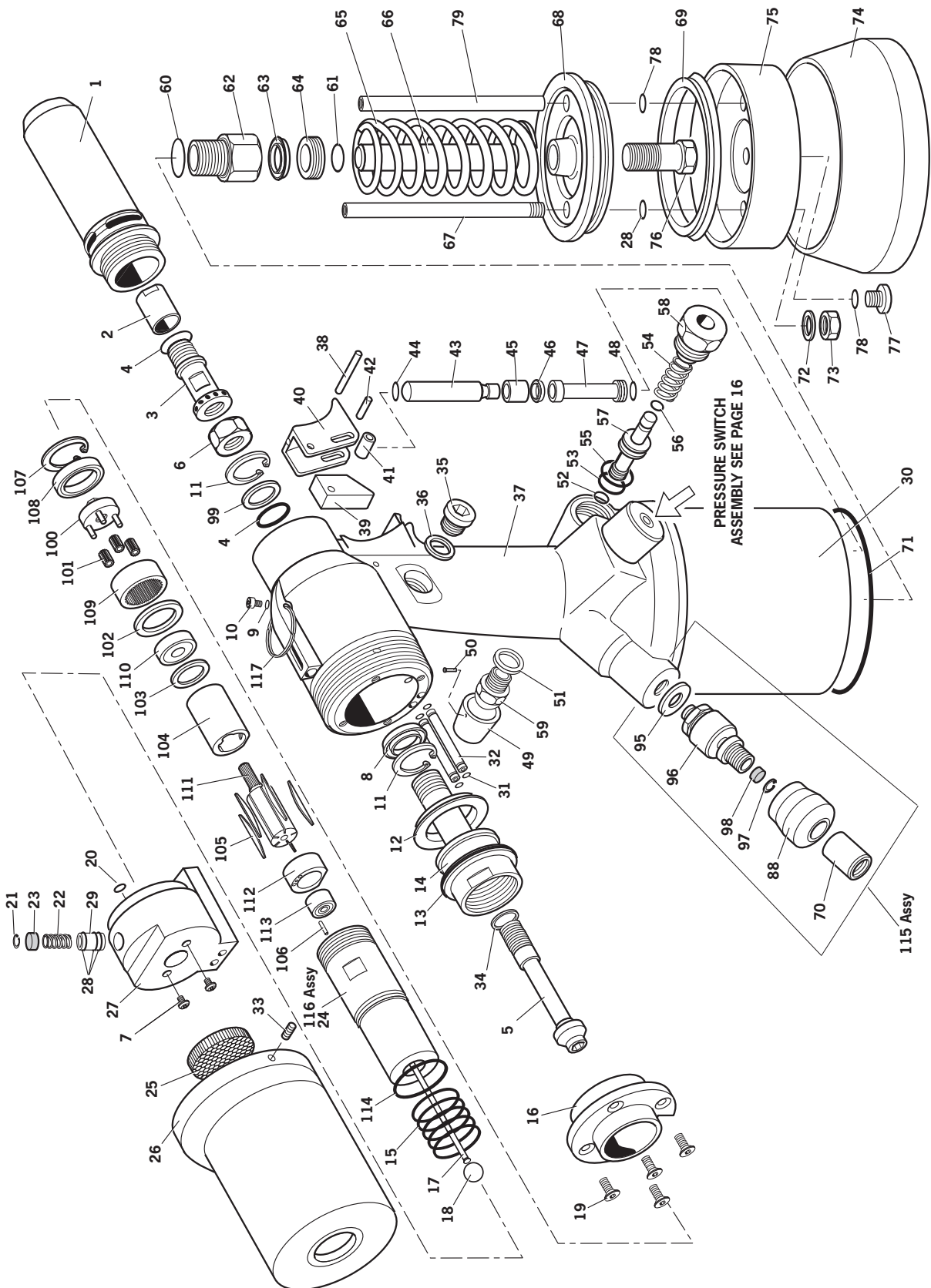


General Assembly of Base Tool 74201-12000



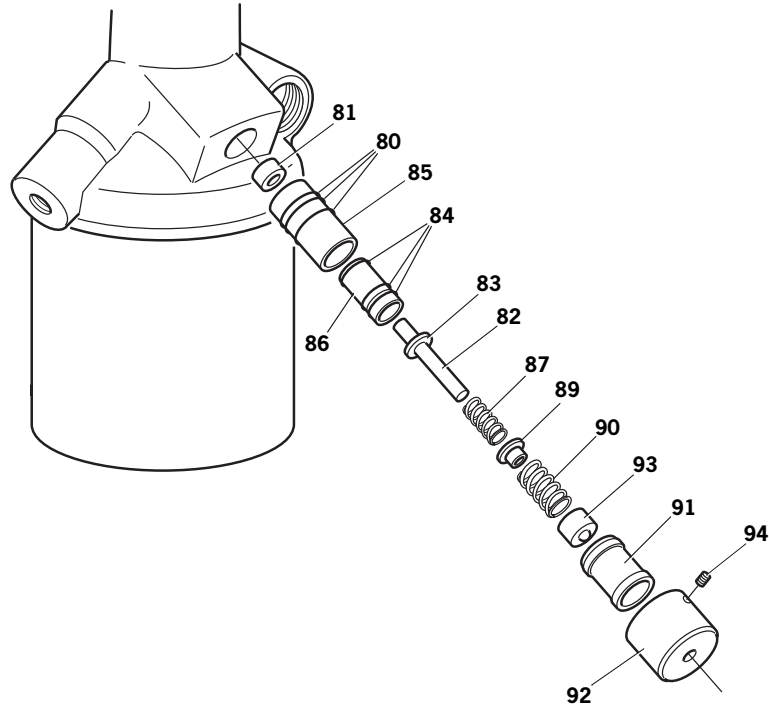
Parts List for 74201-12000

74200-12000 PARTS LIST

ITEM	PART N°	DESCRIPTION	QTY	ITEM	PART N°	DESCRIPTION	QTY	ITEM	PART N°	DESCRIPTION	QTY
01	74200-12091	NOSE CASING	1	41	74200-12023	ROLLER	1	81	74201-12081	WASHER	1
02	74200-12092	ADAPTOR NUT (UP TO M8)	1	42	74200-12022	ROLLER PIN	1	82	74201-12082	PLUG	1
03	74200-12044	SPINDLE CONNECTOR	1	43	74200-12020	TRIGGER ROD	1	83	74201-12083	PISTON	1
04	07003-00028	'O' RING	2	44	07003-00315	'O' RING	1	84	74201-12084	'O' RING	3
05	74200-12056	MOVEMENT PIVOT	1	45	74200-12019	GUIDE	1	85	74201-12085	LINER	1
06	07555-00803	LOCK NUT	1	46	74200-12018	LIP SEAL	1	86	74201-12086	CYLINDER	1
07	74201-12007	M4 SCREW	2	47	74201-12047	VALVE LOCKING PLUG	1	87	74201-12087	SPRING	1
08	07265-02004	FRONT SEAL	1	48	07003-00027	'O' RING	1	88	74290-03030	FLEXIBLE RUBBER COVER	1
09	74200-12049	OIL SEAL BLEED WASHER	1	49	74200-12302	DEFLECTOR	1	89	74201-12089	SPRING RETAINER	1
10	07001-00329	M5 BLEED SCREW	1	50	74200-12301	THREADED PIN	1	90	74201-12090	SPRING	1
11	74200-12099	CIRCLIP	2	51	74200-12033	1/8 WASHER	1	91	74201-12091	REAR CASING	1
12	74200-12053	LIP SEAL	1	52	07003-00046	'O' RING	1	92	74201-12092	CASING	1
13	74200-12121	'O' RING	1	53	07003-00026	'O' RING	1	93	74201-12093	REGULATOR	1
14	74201-12014	HYDRAULIC PISTON	1	54	74200-12104	SPRING	1	94	74201-12094	GRUB SCREW	1
15	74201-12015	SPRING	1	55	07003-00086	'O' RING	1	95	07265-03021	BRIDGE WASHER	1
16	74201-12016	STROKE STOP	1	56	07003-00040	'O' RING	1	96	74290-03031	AIR INLET BLOCK	1
17	74200-12078	PUSHROD	1	57	74200-12028	VALVE PISTON	1	97	74200-12097	CIRCLIP	1
18	74200-12079	BALL	1	58	74200-12027	ADAPTOR NUT	1	98	74200-12096	SINTERED FILTER	1
19	74290-03004	M4 SCREW	4	59	74200-12034	1/8 SILENCER	1	99	74200-12099	WASHER	3
20	74201-12020	'O' RING	1	60	07003-00100	'O' RING	1	100	74200-12063	PLANET GEAR SPINDLE	1
21	74201-12021	CIRCLIP	1	61	07003-00134	'O' RING	1	101	07555-09208	PLANET	3
22	74201-12022	SPRING	1	62	74200-12015	ROD GUIDE	1	102	74200-12066	SPACER	1
23	74201-12023	SILENCER	1	63	74200-12014	LIP SEAL	1	103	07555-09210	FRONT END PLATE	1
24	74201-12024	AIR MOTOR CASING	1	64	74200-12013	ADAPTOR NUT	1	104	07555-09211	STATOR	1
25	74201-12025	SILENCER	1	65	07555-00205	SPRING	1	105	07555-09213	ROTOR BLADES	5
26	74290-03006	REAR CASING	1	66	74290-03018	PNEUMATIC PISTON ROD	1	106	07555-09216	PIN	1
27	74201-12027	DISTRIBUTOR	1	67	74290-03019	PISTON ROD	2	107	74200-12061	CIRCLIP	1
28	74290-03022	'O' RING	4	68	74290-03020	PNEUMATIC PISTON	1	108	74200-12062	BEARING	1
29	74201-12029	PISTON	1	69	74290-03021	LIP SEAL	1	109	74200-12065	PLANET GEAR	1
30	74290-03013	PNEUMATIC CYLINDER LINER	1	70	07265-03221	1/4 SLEEVE	1	110	07555-09206	BEARING	1
31	74200-12060	'O' RING	4	71	74290-03023	'O' RING	1	111	74200-12070	ROTOR	1
32	74290-03009	AIR SUPPLY TUBES	2	72	74290-03024	WASHER	2	112	07555-09214	REAR END PLATE	1
33	74290-03014	SCREW	2	73	74290-03025	NUT	2	113	07555-09215	BEARING	1
34	74200-12055	SHIM ADJUSTMENT RING	1	74	74290-03026	RUBBER BASE	1	114	07003-00305	'O' RING	1
35	07005-01274	OIL PLUG	1	75	74290-03027	BASE CASING	1	115	74201-03002	AIR SUPPLY ASSEMBLY	1
36	74290-03015	OIL SEAL WASHER	1	76	74290-03028	BOLT	1	116	74201-03003	PNEUMATIC MOTOR ASSEMBLY	1
37	74201-12037	HANDLE	1	77	74200-12103	PLUG	1	117	07265-03021	SUSPENSION RING	
38	74200-12026	PIVOT PIN	1	78	07003-00029	'O' RING	2				
39	74200-12024	PUSH WEDGE	1	79	74290-03029	AIR SUPPLY TUBE	1				
40	74200-12025	TRIGGER	1	80	74201-12080	'O' RING	3				

General Assembly of Base Tool 74201-12000

Pressure Switch Assembly



Pressure Switch Removal

- Pull out pressure switch assembly.
- Remove Grub Screw **94** and pull off Casing **92**.
- Hold Rear Casing **91** in soft jaw vice unscrew Liner **85** taking care not to damage surfaces.
- From Rear Casing **91** push out Regulator **93** together with with Spring **90**.
- Hold Liner **85** and pull out Spring Retainer **89** and Plug **82** together with Spring **87**, Piston **83**, Cylinder **86** and 'O' Rings **84**
- Washer **81** will come off as Plug **82** is removed take care not to lose it.
- Pull off Spring Retainer **89** and Spring **87** from Plug **82**.
- Pull out Plug **82** and Piston **83** from within Cylinder **86**.
- Remove 'O' Rings **80** three off from Liner **85**.
- Remove 'O' Rings **84** three off from Cylinder **86**.
- Replace any damaged seals or springs.
- Assemble in reverse order of dismantling.

Item numbers in **bold** refer to the General Assembly drawing and parts list (pages 14-15).