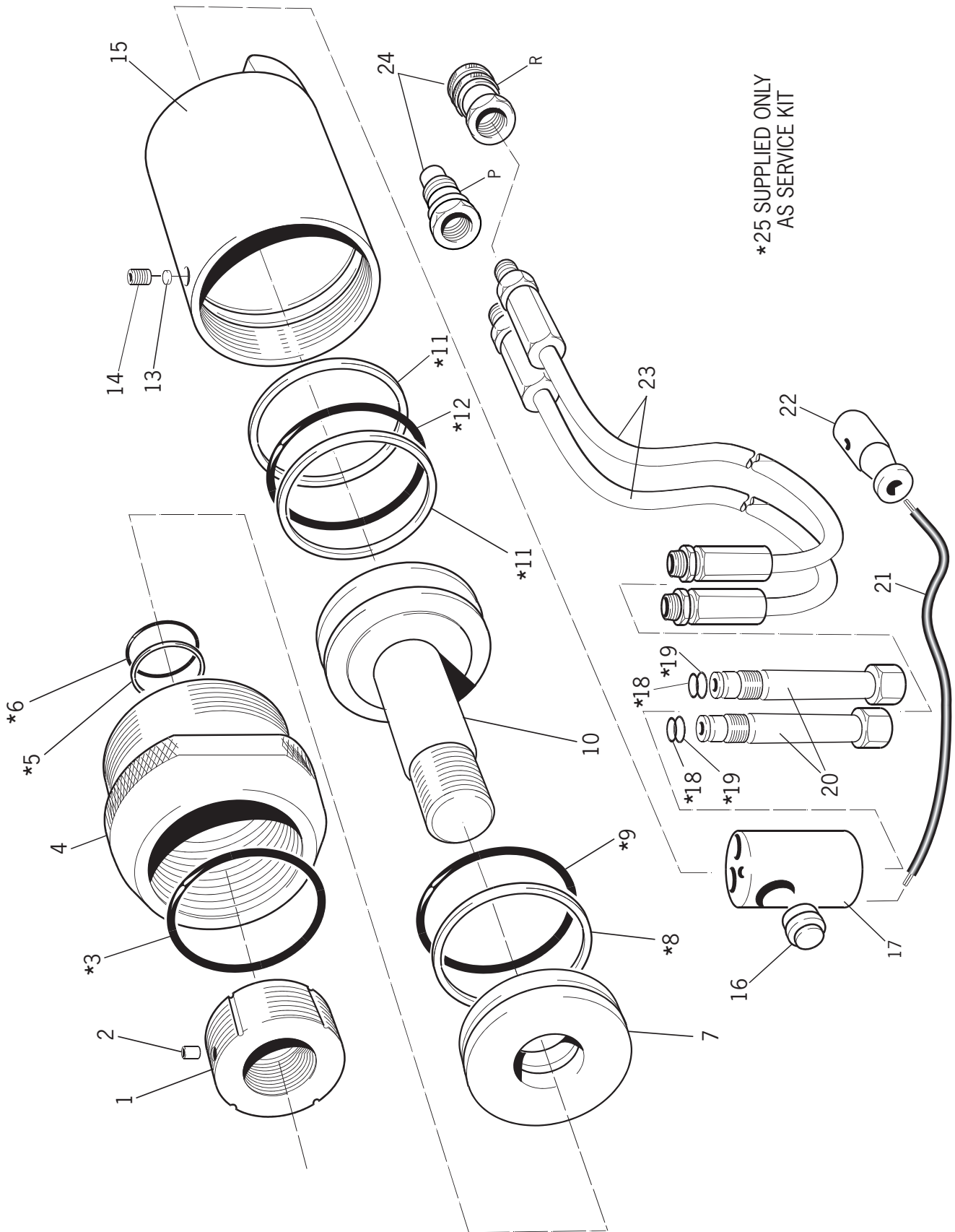


General Assembly for T30 Installation Tool 73412-02000



Parts List for T30 Installation Tool 73412-02000

| T30 INSTALLATION TOOL PARTS LIST | | | | |
|----------------------------------|---------|---------------------|-----|-------------|
| ITEM | PART N° | DESCRIPTION | QTY | SERVICE KIT |
| 1 | T307 | COLLET ADAPTOR | 1 | |
| 2 | MS18 | NYLON/BRASS PLUG | 1 | |
| 3 | R228 | 'O' RING | 1 | * |
| 4 | T304 | ANVIL RETAINER | 1 | |
| 5 | B216 | BACK-UP RING | 1 | * |
| 6 | R216 | 'O' RING | 1 | * |
| 7 | T303 | GLAND | 1 | |
| 8 | B231 | BACK-UP RING | 1 | * |
| 9 | R231 | 'O' RING | 1 | * |
| 10 | T302 | PISTON | 1 | |
| 11 | B332 | BACK-UP RING | 2 | * |
| 12 | R332 | 'O' RING | 1 | * |
| 13 | M509 | PAD | 1 | |
| 14 | GS20 | GRUBSCREW | 1 | |
| 15 | T301 | CYLINDER | 1 | |
| 16 | I111142 | TRIGGER SWITCH | 1 | |
| 17 | T306 | HANDLE | 1 | |
| 18 | R011 | 'O' RING | 2 | * |
| 19 | B011 | BACK-UP RING | 2 | * |
| 20 | T105 | HANDLE STEM | 2 | |
| 21 | LC16 | CONTROL CORD (65cm) | 1 | |
| 22 | LC112 | MALE PLUG | 1 | |
| 23 | HS02 | HYDRAULIC HOSE | 2 | |
| 24 | HS01 | QUICK COUPLER SET | 1 | |
| 25 | SK30 | SERVICE KIT | 1 | * |

* 'O' Rings and Back-up Rings only supplied in Service Kit SK30