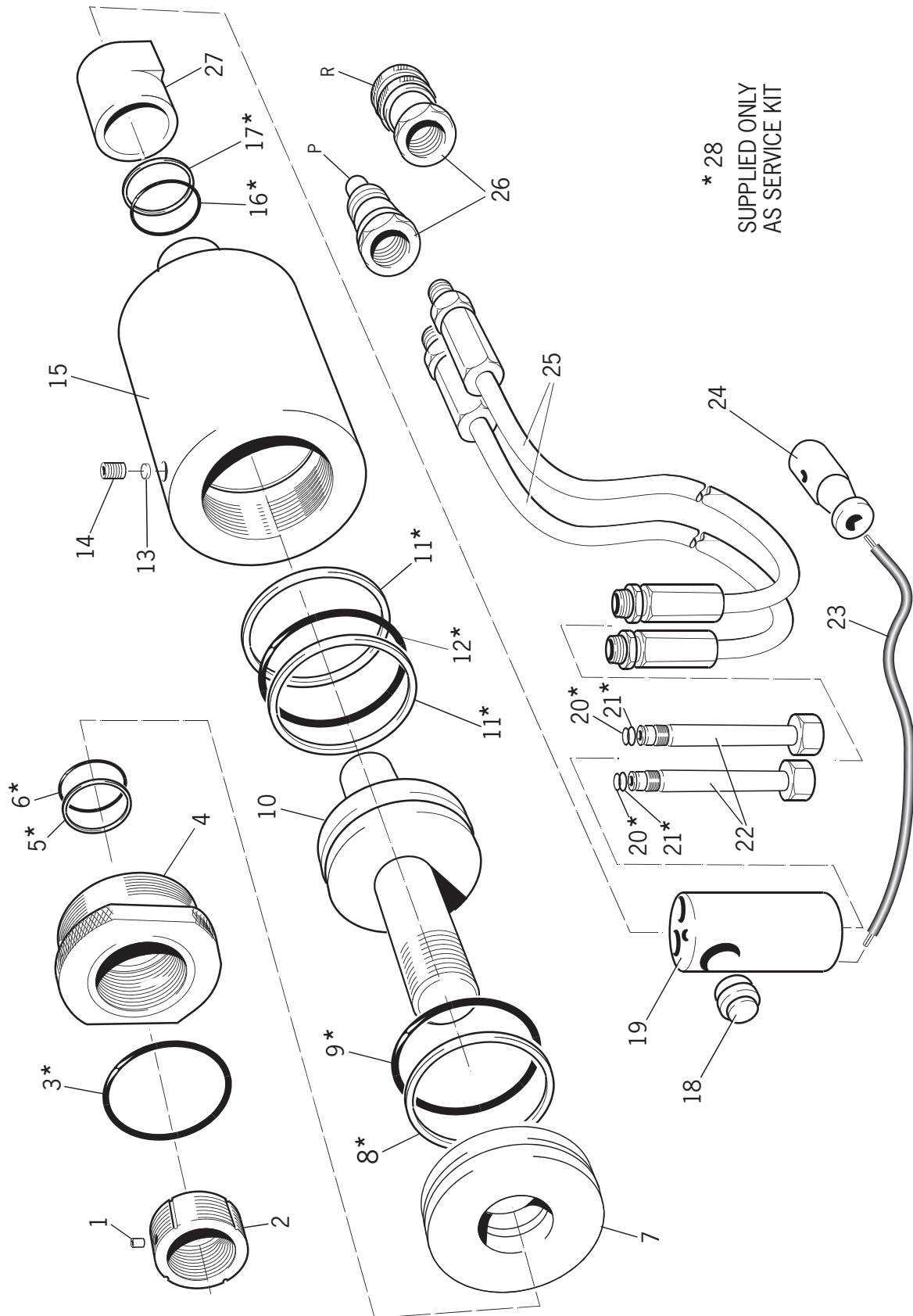


General Assembly of T10 Installation Tool 73411-02000



* 28
SUPPLIED ONLY
AS SERVICE KIT

Parts List for T10 Installation Tool 73411-02000

T10 INSTALLATION TOOL PARTS LIST				
ITEM	PART N ^o	DESCRIPTION	QTY	SERVICE KIT
1	MS24	BRASS PLUG	1	
2	T107	COLLET ADAPTOR	1	
3	R227	'O' RING	1	*
4	T104	ANVIL RETAINER	1	
5	B116	BACK-UP RING	1	*
6	R116	'O' RING	1	*
7	T103	GLAND	1	
8	B129	BACK-UP RING	2	*
9	B114	BACK-UP RING	1	*
10	T102	PISTON	1	
11	B220	BACK-UP RING	2	*
12	R220	'O' RING	1	*
13	M515	PAD	1	
14	G511	GRUBSCREW	1	
15	T101	CYLINDER	1	
16	R114	'O' RING	1	*
17	B114	'O' RING	1	*
18	I111142	TRIGGER SWITCH	1	
19	T106	HANDLE	1	
20	R010	'O' RING	2	*
21	B010	BACK-UP RING	2	*
22	T105	HANDLE STEM	2	
23	C106	CONTROL CORD	1	
24	C112	MALE PLUG	1	
25	HS02	HYDRAULIC HOSE	2	
26	HS01	QUICK COUPLER SET	1	
27	T108	DEFLECTOR	1	
28	SK10	SERVICE KIT	1	*

* 'O' Rings and Back-up Rings only supplied in Service Kit SK10