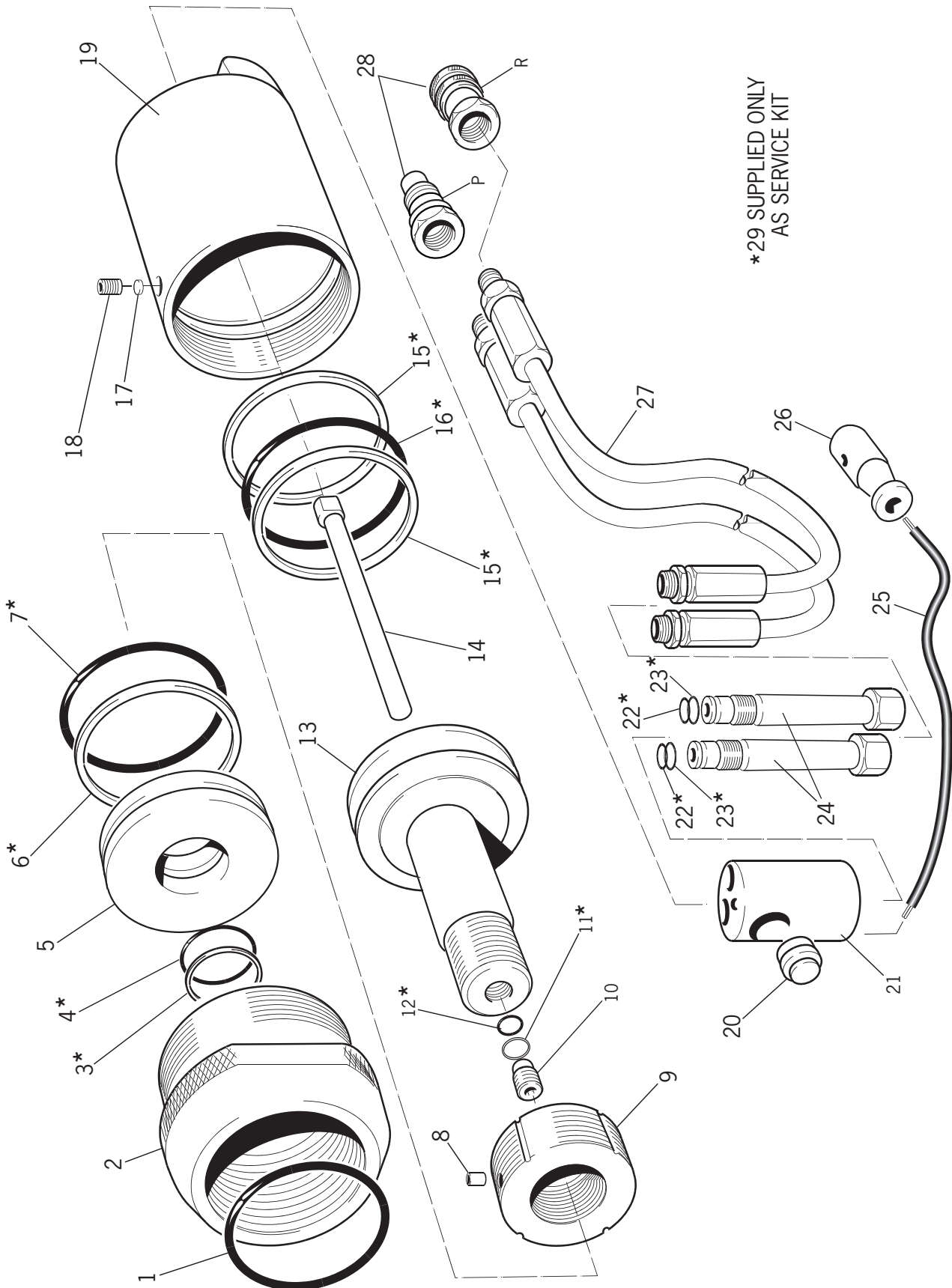


General Assembly of T51 Installation Tool 73410-02000



Parts List for T51 Installation Tool 73410-02000

T51 INSTALLATION TOOL PARTS LIST				
ITEM	PART N°	DESCRIPTION	QTY	SERVICE KIT
1	R236	'O' RING	1	*
2	T514	ANVIL RETAINER	1	
3	B222	BACK-UP RING	1	*
4	R341	'O' RING	1	*
5	T513	GLAND	1	
6	B240	BACK-UP RING	2	*
7	R240	'O' RING	1	*
8	M522	NYLON/BRASS PLUG	1	
9	T517	COLLET ADAPTOR	1	
10	T519	SCREW	1	
11	I010	BACK-UP RING	1	*
12	R010	'O' RING	1	*
13	T512	PISTON	1	
14	T518	EJECTOR PIN	1	
15	B341	BACK-UP RING	2	*
16	R341	'O' RING	1	*
17	MS10	PAD	1	
18	GS29	GRUB SCREW	1	
19	T511	CYLINDER	1	
20	I11142	TRIGGER SWITCH	1	
21	T516	HANDLE	1	
22	R012	'O' RING	2	*
23	B341	BACK-UP RING	2	*
24	T515	HANDLE STEM	2	
25	C106	CONTROL CORD	1	
26	C112	MALE PLUG	1	
27	HS02	HYDRAULIC HOSE	2	
28	HS01	QUICK COUPLER SET	1	
29	SK51	SERVICE KIT	1	*

* 'O' Rings and Back-up Rings only supplied in Service Kit SK51